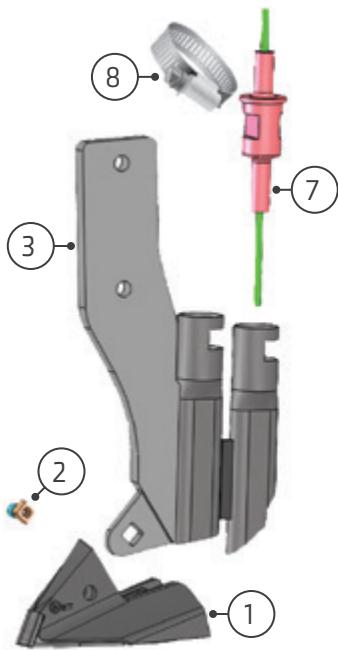


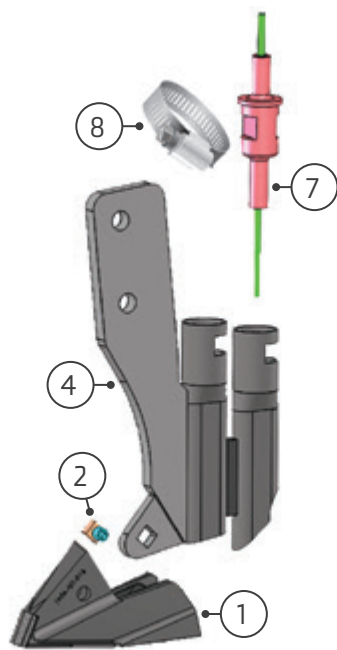
# 610-TIP-4041 ASSEMBLIES

PAIRED ROW (ASSEMBLIES ON THESE PAGES INCLUDE THE TIP)



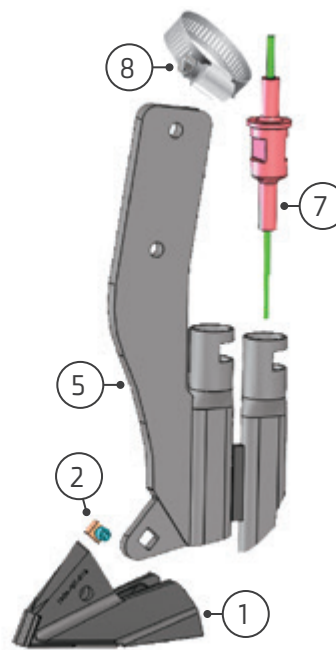
**683-ASY-4020**

**FITS:** Morris Contour I (page 48)



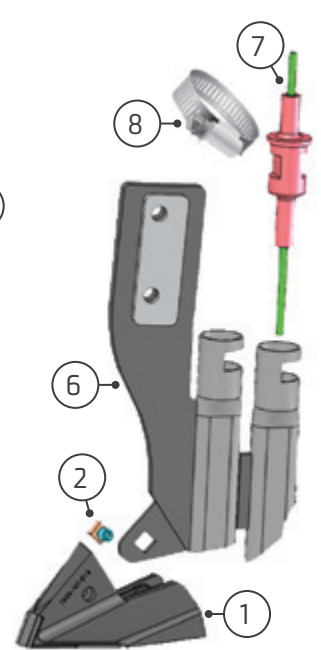
**688-ASY-4020**

**FITS:** Horsch 84° Shank (page 41)



**693-ASY-4020**

**FITS:** Morris Contour II & Morris Quantum (page 48)



**694-ASY-4020**

**FITS:** Case IH ATX 700, NH P2060, Flexi-Coil 5500 & Concord (page 37)

PART		G	L	G	L	G	L	G	L
1	610-TIP-4041	■	■	■	■	■	■	■	■
2	200-BNC-3100	■	■	■	■	■	■	■	■
3	683-HLD-2000	■	■						
4	688-HLD-2000			■	■				
5	693-HLD-2000					■	■		
6	694-HLD-2000							■	■
7	683-TUB-6061		■		■		■		■
8	880-HCL-8117		■		■		■		■

All product and company names are trademarks™ or registered® trademarks of their respective holders. Use of them does not imply any affiliation with or endorsement by them.