



2024

PRODUCT
CATALOGUE



SEEDING & FERTILIZER OPENERS | TILLAGE TOOLS | SPECIALTY PARTS



Products Added



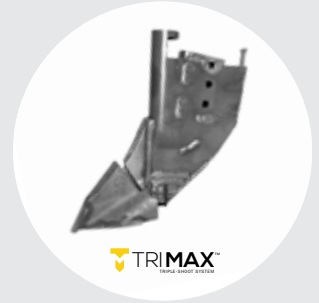
**Single Shoot Seed Opener
Gumbo Knife
to fit Bourgault PLDS**
Page 26



**Paired Row Seeding Opener
to fit Bourgault PLDS**
Page 27



**Seeding Knife
Less disturbance
to fit Bourgault PLX, PLS,
XTC, QDA**
Page 28



**Bourgault TriMax™
Triple Shoot System Opener**
Page 31



**Speed-Loc™
Fertilizer Knives**
Page 69



**1/2" Fertilizer Knives
to fit C-shank**
Page 75



**Max Life™ Weldable
Wear Strips new size options**
Page 109



**TRY BEFORE
YOU BUY!**

BTT Demo Program

Through the BTT Demo Program, we offer you the opportunity to try a few of our parts and compare how they perform against products you're currently using.

No pressure. No obligation to buy.



Share Your Experience

Customer feedback is important and if you're running BTT products you may have some thoughts to share! Hearing what our customers think provides valuable insight on what we're doing right, where we can improve, and what new opportunities we should explore.

Fill in our short customer feedback form and your name is also entered into our monthly draw for BTT swag!

A member of our team may contact you using the information you provide to further discuss your comments.

Access The Feedback Form

Fill out the short feedback form online by visiting tillagetools.ca/company/customer-feedback/

OR

Scan the QR code below.

1. Open the camera app on your smart phone.
2. Point your phone at the QR code and hold steady for a few seconds to scan it.
3. When a notification appears at the top of your screen, tap on it. This will take you to the online entry form.
4. If a notification doesn't appear, go to Settings on your phone, enable QR code scanning under Camera, and then scan the QR code again.



SCAN USING YOUR SMART
PHONE CAMERA

Contents

COMPANY PROFILE	4-9
REPLACEABLE TIPS	
SINGLE SHOOT	12-13
PAIRED ROW	14-15
SIDE BAND	16
FERTILIZER	17
PRECAUTIONS & RISK FACTORS	18
OPENERS TO FIT	
C-SHANK	
SEEDING OPENERS	20-25
FERTILIZER KNIVES	70-73
BOURGAULT	26-32
CASE, NEW HOLLAND & FLEXI-COIL	33-35
HORSCH	36-39
JOHN DEERE	40-42
MORRIS	44-49
SALFORD	50
SEED MASTER	51
VÄDERSTAD SEED HAWK	52-54
<i>SPEED-LOC™</i>	
SEEDING OPENERS	60-63
FERTILIZER KNIVES	68-71
FERTILIZER KNIVES	68-76
MULTI-SHOOT OPENERS	
TITAN OPENER SYSTEM	56-57
VOS	58-59
SEED BOOTS	64-65
<i>SPEED-LOC™</i> ADAPTERS	78-79
ACCESSORIES, DRIVERS & REPLACEMENT PARTS	80-81
ADAPTER CHART	82-83
TILLAGE	
<i>SPEED-LOC™</i> SWEEPS & SPIKES	86-89
BOLT-ON SWEEPS, SPIKES & CHISELS	90-91
<i>MAX LIFE™</i> SWEEPS & SPIKES	92
CAST SWEEPS & CHISEL PLOW POINTS	93
DEEP RIPPERS	94-95
SHANK SAVERS & NUGGETS	96
<i>MAX LIFE™</i> SCRAPERS	97
<i>MAX LIFE™</i> HARROW TINES	98-101
PREMIUM LINE - <i>NIAUX</i> 200 DISK BLADES	103-108
STANDARD LINE - 150 SERIES DISK BLADES	108
SPECIALTY PRODUCTS	
WELDABLE WEAR STRIPS	109-110
THRESHING PIN	111
MANURE SPREADER WEAR TIPS	111
POWER HILLER TINES	112
ACCESSORIES & REFERENCE	
ACCESSORIES	114-115
INSTALLATION NOTES	116-117
BOLT LENGTH & FASTENER CHARTS	118-121
PRODUCT DEPTH CHART	122
EXPANDED ASSEMBLIES	123-137
PRODUCT INDEX	138-139



Ryan Olson
General Manager

Joseph Bourgault
President

Empowering the Future: Elevating Quality, Innovation, & Efficiency Through Collaborative Excellence

On behalf of our team at Bourgault Tillage Tools, we want to thank our customers including farmers, dealers, distributors, and equipment manufacturers. Your support has inspired our company to develop several new differentiated and innovative products that will ultimately lead to improved performance and cost advantages for farmers across the world.

Our modest company, based in the small rural town of St. Brieux, Saskatchewan, has continued a journey of growth this year. Our success has been attributed to our focus on Team Spirit, Quality, Innovation, Customer Focus and Efficiency.

Team Spirit

There is a lot to be proud of when speaking about the 84 company associates who work at Bourgault Tillage Tools. Our company culture has been developed over 30 years, and customers who have toured our facility are quick to recognize the teamwork and attention to detail that goes into every part we manufacture. Hanging on a sign at the entrance to our production floor is the company core values of Safety, Quality and Efficiency. Values that are so important to our team that customers routinely comment about the positive demeanor of employees, the cleanliness of our facilities, and the surprising mix of people and automation that it takes to create our products. Our objective is to continue to make our company an ideal location for people to work, and we value and respect team members and their contribution to the success of our company.

Quality

Perhaps one of the most recognizable features of our products is how long they last even in the toughest conditions. This is because we value our customers' feedback and ensure that every design solves their problems. Our team prides themselves on producing high quality parts, and this starts with finding the best suppliers in the industry. Our purchasing team sources high quality materials with over 95% of our raw materials being purchased in Canada and the United States. We have also partnered with Forges De Niaux (France), who make the most robust and longest wearing disc in the global market. Similarly, we have an agreement established with Michigan based company Richmond Brothers, who make the longest wearing Deep Tillage products in the market.

This year we started the journey towards ISO 9001 Certification and our objective is to become ISO certified by the end of 2023. This standard is becoming more important for Canadian agricultural manufacturing as it is a common language for quality management across multiple industries globally. Although we already believe we operate to this standard, we would like this certification to give comfort to our customers that our focus meets and exceeds a globally recognized standard.

Innovation

One of our core principles is to ensure that our products fulfill a need that is not being met in the market. If we cannot find a way to create value for our customer, then the project does not move forward. Over the years, BTT has had many first to market concepts including the Speed-Loc tillage products, Maxlife Innovations, replaceable tips, and Eco-Sweeps. We also value companies who are innovative, and recognize them through valuable partnerships to allow farmers to access the highest quality products in the market. Our innovation starts with our customer, where their feedback from the field reaches our territory

managers, dealers, and Original Equipment Manufacturers. We then work with the customer to design products to their specification. Our R&D team has the resources required to develop prototypes in house. They are then adequately tested in the field to meet the customers objectives before hitting our production floor.

Customer Focus

This year, we have been busy expanding into new markets with products such as Maxlife Power Hiller Tines, ECO Sweeps for interrow weed control, and a new series of 1/2" products for both fertilizer and seed application. This new line of low disturbance knives that provide the most precise placement of product, while allowing the farmer to reduce fuel consumption and increase speed. We have also been active in building new partnerships with OEM customers and have developed several new products that will be used on equipment being manufactured in 2024.

How we treat our customers is just as important as the products that we develop, and we value the customer relationship so much that we back it with a warranty and performance guarantee program. We also know that sometimes it is challenging to try new concepts, so we offer a "Try before you Buy" program to help ensure that new customers are comfortable with their investment. We are very confident in our products since we have over 30 years of experience and our warranty claims are less than .05% of total product sales.

Efficiency

This year we launched an Operational Excellence program focused on reviewing all areas of our company to find opportunities for continual improvement. Each project has been rigorously selected, and team members are trained in lean principles to ensure that the implementation is successful. The ultimate objective is to focus on waste reduction and increase value and quality for the customer. Operational Excellence has also allowed us to develop our production strategies and investment in personnel, equipment, and buildings that bring a return to customers. Although we have made strategic investments in our growth, we do this through thorough evaluation considering the impact it has on our performance, people, and the communities we serve. Although we may not be the lowest priced product in the market, we aim to deliver our customers the lowest cost per acre with the highest return on investment.

Forging into the Future

Sometimes it can be difficult to navigate the future when there are so many current challenges facing our industry. World politics has seemingly taken over the headlines with social issues such as inflation, environmental concerns, and equal rights. It has had significant economic implications, but one simple truth remains. Farmers are extremely important because we cannot survive without food. This is why our company has taken the commonsense approach of focusing on the farmer as our top priority, and to do so in a way that leaves a positive impact in our communities.

We appreciate your continued support and use of our products and look forward to seeing you in the field in 2024!

Ryan Olson,
General Manager

Helping You Succeed

At Bourgault Tillage Tools (BTT), we think you should expect a lot. We strive to deliver that with exceptional customer service, on-farm visits, high-quality North American-made products, and the best Warranty and Performance Guarantee in the market.

The demands and needs of each farm are unique. Our objective with on-farm visits is to help farmers become more efficient and profitable. We take the time to learn about your operation, discover what products you're currently using, and discuss seeding, fertilizing, and tilling challenges.

After getting a clear picture of existing practices, we review our product line to discuss options and solutions for your operation. Talking directly with our customers is valuable for our team also as it influences product development and helps us uncover opportunities for new projects and innovations.

We call this The BTT Difference, and these are just a few of the ways we go the extra mile to keep your operation growing.

BTT Performance Guarantee

BTT guarantees the product you purchase will perform to its designed specification under normal conditions. Under some adverse conditions, the performance of the product may be affected.

If the product does not perform its designed task within the first season of use, please inform us of the issue immediately and grant us the opportunity to visit your farm to assess the situation.

If we cannot correct the situation, we will guarantee you a 100% refund.

Failure to follow our recommendations will render the Performance Guarantee void.

To learn more about adverse seeding conditions, see page 18.



Located in St. Brieux,
Saskatchewan, Canada.



Dealer network stretching
across 500+ locations.



An independent business,
separate from Bourgault
Industries since 1991.



Global distribution across
Europe, UK, Australia, and
North America.



A team of 84 employees
located across Canada,
USA, and the UK.

Warranty

Warranty only covers defects in materials and workmanship and is limited to replacement of the failed part. It does not cover any consequential damages.

Warranty will not be provided on any BTT parts that have been used with non-original BTT parts.

To obtain warranty, the part must be returned to the dealer to complete the warranty claim form. An invoice must be provided.

All products (with the exception of disk blades) have a 3 Year Limited Warranty, at our discretion, from the date of purchase as follows:

- 1st year prorated to a maximum of 100%
- 2nd year prorated to a maximum of 70%
- 3rd year prorated to a maximum of 40%

Sweeps, Chisels & Spikes

These parts are warrantied (prorated based on wear) against failure due to breakage or bending unless worn excessively.

Excessive wear means:

- The wing of the sweep measures 60% or less of its original width.
- The material thickness is 60% or less of the original thickness. (Example: a new Bourgault sweep that is 0.250" thick x 0.60 = 0.150. At this point, and after that, warranty is void).

Quick Change Products

Effective January 1st, 2001, all products used on the 100 and 400 Series adapters will not be warrantied against loss. All products used on 200 and 410 Series adapters will be warrantied against loss.

Chrome & Carbide Tips

Carbide is warrantied for loss only. Chipping of carbide is normal. If the brazing fails and the carbide falls off, return the part to the dealer.

Products with a chrome or carbide tip will not be warrantied against chipping related to installation issues unless the appropriate driver has been used.

Niaux 200 Disk Blades

Our disk blades have a lifetime warranty on breakage due to manufacturer defect.

MAX LIFE™ Harrow Tines

Harrow tines are warrantied from the date of purchase against breakage for three years, prorated to a maximum of 100%.

Trip Strength Considerations

Our seed openers need to perform in some challenging conditions, and we design our products with durability in mind. The end-user has the responsibility to make sure the machine is best suited to the operating conditions.

Proper trip strength will save you time and money. When determining the appropriate trip strength, some factors to consider are soil type, amount of rock, and type of seed opener used.

A heavy trip is not "one size fits all." Buying a seeding machine with heavier trips than required for proper penetration may result in:

- broken or damaged seed openers
- broken or bent shanks
- more rocks pulled to the surface

BTT reserves the right to limit warranty claims on trip strengths greater than 400 pounds.

Questions?

Please ask your Territory Manager or contact our Service & Warranty Manager directly at 1.800.878.7714.

Contact Us



Patrick Yeager
Managing Director of
Sales & Marketing
C 306.921.7718



Cornelius Chomenchuk
Sales Manager
Pacific Northwest USA &
Manitoba Territory Manager
C 204.724.2012



Nicole Peterson
Marketing Manager
P 800.878.7714
Ext 240



Roger Schierman
Alberta Territory
Manager
C 780.781.2134



Chris Miller
Saskatchewan
Territory Manager
C 306.231.3244



Rick Eberle
USA Territory
Manager
C 701.381.8385



Penny Ulledal
Inside Sales
P 800.878.7714
Ext 220



Kelly Stevenson
BTT WEAR IQ
Business Development/
Corporate Account Manager
C 306.921.7888



Len Horvath
BTT WEAR IQ
Business Development
C 306.921.6995



Dean Bigelow
R&D Manager
C 306.921.3888



Dylan Theis
Service & Warranty
Manager
C 306.921.4794



Rick Schemenauer
Corporate Account
Manager
C 306.921.5967



Ian Clayton-Bailey
BTT UK
Managing Director
C +44 (0) 7876 563514



Stuart Aldworth
BTT UK & European
Technical Manager
C +44 (0) 7825 339483

Partners In Global Distribution

North America

F.P. Bourgault Tillage Tools Ltd.

Canada & Northern United States
200-5th Ave South, St. Brieux, SK, Canada
S0K 3V0

P 1.800.878.7714

F 1.306.275.4720

tillagetools.ca

Australia

Bourgault Australia Pty Ltd.

Australian Western Distribution Centre
70 Gillam Drive, Kelmscott, WA 6111

P 08-9399-9700

bourgault.com

Bourgault Australia Pty Ltd.

Australian Eastern Distribution Centre
604 Wagga Rd, Ettamogah, NSW 2640

P 02-6025-8298

bourgault.com

Europe & UK

Industriehof GmbH

Western & Central Europe

Im Winkel 5 D-30900

Wedemark, Germany

P +49 (0) 5130 60 72 0

industriehof.com

BTT UK LTD

United Kingdom

Bukehorn Farm

Bukehorn Road, Thorney

Peterborough PE6 0QG

P 01733 971 971

bttuk.com

Eastern Europe

Bourgault Industries Ltd.

Head Office

Eastern Europe | Kiev

P/F +38 (044) 563-71-91

bourgault.com

Bourgault Industries Ltd.

Russia | Krasnodar

P +7 (861) 252-79-33

Bourgault Industries Ltd.

Kazakhstan | Kostanay

P/F +7 (7142) 223 955

LLC Kramp

Russia

142324 Moscow Region, Chekhov District, Industrial
Zone Liutoretskoye 6 Bld. 1, Room 101

P +7-495-662-55-46

info.ru@kramp.com

OOO CanAgro

Russia | Omsk

P +7 (3812) 551-500

can-agro.com

Industriehof LLC

Russia

123592, Moscow, St. Marshal Katukov, 20 room 7/1

P +7 (495) 374 7846

info@industriehof.ru

TOO CanAgro

Kazakhstan | Kokschetau

P +7 (7162) 77 52 76

can-agro.com

TOO CT Agro

Kazakhstan | Kokschetau

P +7 (7162) 77 52 77

ctagro.com

High Quality. Superior Wear.

NORTH AMERICAN-MADE

High Chrome Material

Replaceable tips are cast with high chrome material, increasing the life span of the tip.

Tungsten Carbide Inserts

The highest quality tungsten carbide is placed on our tips in-house. Extra-long carbide is used in extremely abrasive conditions, ensuring the longevity of the tip while maximizing seed bed utilization.

North American-Made

All primary wearing replaceable tips are cast by Leth Iron in Lethbridge, Alberta, Canada using the best materials available.

Easy Installation

Quickly and easily install new tips with our bolt and nut combos, proven to work when roll pins won't.



LOOK FOR THE
LETHIRON MARK ON
BTT PRODUCTS!

SINGLE SHOOT (PG 12) | PAIRED ROW (PG 14) | SIDE BAND (PG 16) | FERTILIZER (PG 17)

Replaceable Tips

Single Shoot Replaceable Tips

These tips use bolt and nut combo 200-BNC-3100 for installation.



200-TIP-0511

CARBIDE TIP

1/2" (13mm) tip with carbide insert on the nose.

Not recommended in highly abrasive conditions.



200-TIP-0800

CHROME TIP

3/4" (19mm) tip.

Not recommended in highly abrasive conditions.



200-TIP-0801

CARBIDE TIP

3/4" (19mm) tip with carbide insert on the nose.



200-TIP-0802

CARBIDE TIP

3/4" (19mm) tip with extra long carbide on the nose for highly abrasive conditions.



EXTRA CARBIDE ON THE SIDE

200-TIP-0803

CARBIDE TIP

3/4" (19mm) tip with extra long carbide on the nose and sides for highly abrasive conditions. Identical to 200-TIP-0802 with the addition of side carbide inserts.



200-TIP-0811

VERTICAL CARBIDE TIP

3/4" (19mm) vertical tip with extra long carbide on the nose for highly abrasive conditions.



200-TIP-1011

VERTICAL CARBIDE TIP

1" (25mm) vertical tip with double carbide insert. Recommended for rocky and highly abrasive conditions.



200-TIP-2011

CARBIDE SPREAD TIP

2" (51mm) tip with carbide insert on the nose to fracture the ground. Carbide inserts on the underside of the wings to maintain a sharp cutting edge.

**200-TIP-3000**

CHROME SPREAD TIP

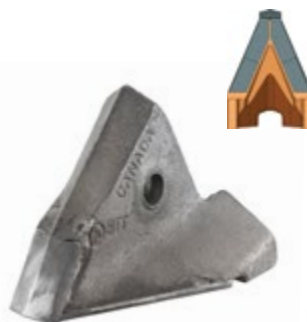
3" (76mm) tip.

**Not recommended
in highly abrasive
conditions.**

**200-TIP-3001**

CARBIDE SPREAD TIP

3" (76mm) tip with carbide insert on the nose and hard facing on the underside of the wings.

**200-TIP-3011**

CARBIDE SPREAD TIP

3" (76mm) tip with carbide insert on the nose to fracture the ground. Carbide inserts on the underside of the wings to maintain a sharp cutting edge.

**200-TIP-4011**

CARBIDE SPREAD TIP

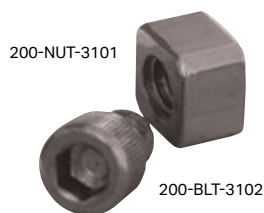
4" (102mm) tip with carbide insert on the nose to fracture the ground. Carbide inserts on the underside of the wings to maintain a sharp cutting edge.

**610-TIP-0802**

CARBIDE SPREAD TIP

3/4" (19mm) long-wearing single shoot tip with extra long carbide on the nose for highly abrasive conditions. Used for seeding or fertilizing (not for double shooting).

Fits VOS (Versatile Opener System).
See page 58-59.

**200-BNC-3100**

BOLT & NUT COMBO

Bolt and nut combo used to secure single shoot, paired row and side band tips onto holders.

The bolt and nut should be replaced when changing the tip to maintain locking ability of the nut. See page 117 for installation and removal instructions.



200-TIP-0802 is 20% more in price, compared to 200% more in wear.

Anyone that has tried the 0802 in their wheel tracks can confirm what I'm saying. If you're in high or somewhat high wear conditions, 0802 is hands-down the best choice. Amazing point, great job BTT, well done. Any producer would be happy to the 10th degree. Keep up the good work.

Scott Biss, Saskatchewan, Canada

Paired Row Replaceable Tips

These tips use bolt and nut combo 200-BNC-3100 for installation (see page 13).



610-TIP-4041

CARBIDE TIP

4" (102mm) Paired Row cast chrome tip with carbide insert on the nose for excellent penetration and wear resistance.

Carbide inserts on the underside of the wing to maintain a sharp cutting edge.

This Paired Row liquid or granular double shoot tip has no vertical seed/fertilizer separation. Can be used for single shoot or Paired Row to utilize more seedbed.



610-TIP-4030

CARBIDE TIP

4" (102mm) Paired Row cast tip with carbide insert on the nose for excellent penetration and wear resistance. These tips have 3/4" (19mm) vertical drainage trench.

Carbide inserts on the underside of the wing to maintain a sharp cutting edge. This Paired Row liquid or granular double shoot tip has no vertical seed/fertilizer separation.

Fits VOS (Versatile Opener System).
See page 58-59.



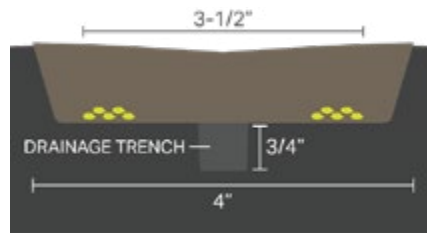
610-TIP-4035

CARBIDE TIP

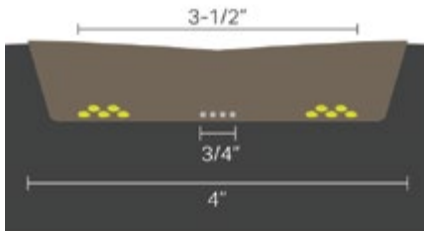
4" (102mm) Paired Row cast tip with carbide insert on the nose for excellent penetration and wear resistance. These tips have a 3/4" (19mm) vertical drainage trench.

Carbide inserts on the underside of the wing to maintain a sharp cutting edge. This Paired Row liquid or granular double shoot tip has no vertical seed/fertilizer separation.

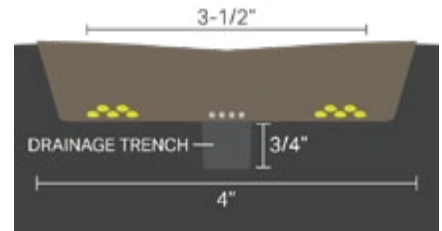
Fits VOS (Versatile Opener System).
See page 58-59.



SHOWN WITH SINGLE SHOOT HOLDER 688-HLD-1000



SHOWN WITH DOUBLE SHOOT HOLDER 688-HLD-2000



SHOWN WITH HOLDER 688-HLD-2080



Drawings for illustration purposes only. All measurements shown are approximate. Results may vary with multiple factors including soil conditions, ground speed, fan speeds, application rates, and more. In less than ideal conditions, mixing between seed and fertilizer may occur. See precautions and risk factors on page 18.

**610-TIP-3581**

CARBIDE TIP

3-1/2" (89mm) Paired Row cast chrome tip with 3/4" (19mm) vertical separation of liquid, granular, or aqua NH3 fertilizer.

Carbide insert on the nose for excellent penetration and wear resistance. Carbide inserts on the underside of the wing maintain a sharp cutting edge.

Carbide inserts at the back underside of the wings seal the fertilizer trench prior to seed placement.

Fits VOS (Versatile Opener System).
See page 58-59.

**610-TIP-4081 / 4082 / 4085**

CARBIDE TIP

4" (102mm) Paired Row cast chrome tip with carbide insert on the nose for excellent penetration and wear resistance. These tips have 3/4" (19mm) vertical separation of granular, liquid, aqua NH3 or aqua NH3 + phosphorous fertilizer.

Carbide inserts on the underside of the wing maintain a sharp cutting edge. Carbide inserts on the back underside of the wings seal the fertilizer trench prior to seed placement.

610-TIP-4082 has additional carbide below the wings, along the sides of the fertilizer trench, to provide extra-wear life.

Not recommended for use on Case IH 800/900 or NH P2070.

610-TIP-4085 for Europe only.

Fits VOS (Versatile Opener System).
See page 58-59.

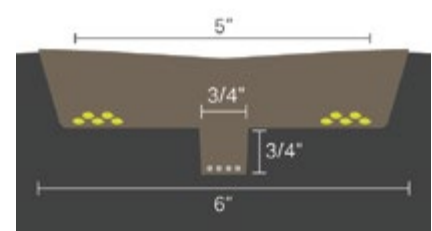
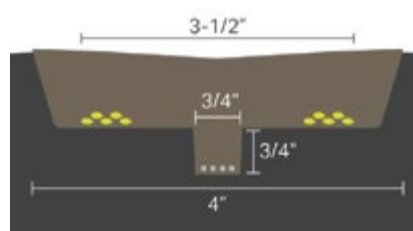
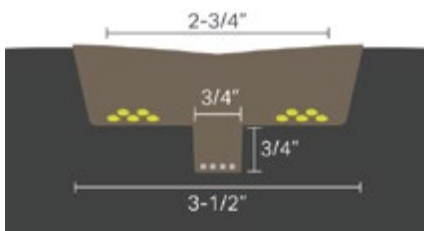
**610-TIP-6082**

CARBIDE TIP

6" (152mm) Paired Row cast tip with carbide insert on the nose for excellent penetration and wear resistance. These tips have 3/4" (19mm) vertical separation of liquid, granular, aqua NH3 or aqua NH3 + phosphorous fertilizer.

Carbide inserts on the underside of the wing maintain a sharp cutting edge. Carbide inserts on the back underside of the wings seal the fertilizer trench prior to seed placement. Additional carbide is placed along the sides of the fertilizer trench, below the wings, to provide extra-wear life.

Fits VOS (Versatile Opener System).
See page 58-59.



Side Band Replaceable Tips

These tips use bolt and nut combo 200-BNC-3100 for installation (see page 13).



612-TIP-0211
612-TIP-0212

CHROME TIP

Side Band cast chrome TriMax™ Triple-Shoot System tip with carbide inserts on the nose and the underside of the wing for excellent penetration and wear resistance.

The seed is placed in a 3/4" (19mm) band onto a firm seedbed. The starter fertilizer is placed to the side onto a slightly lower shelf than the seed.

612-TIP-0211 LEFT WING
612-TIP-0212 RIGHT WING

612-TIP-0711
612-TIP-0712

CHROME TIP

Side Band cast chrome tip with carbide inserts on the nose and the wing for excellent penetration and wear resistance.

The seed is placed in a 3/4" (19mm) band onto a firm, unfractured seedbed. Fertilizer is delivered in a band off to the side (right or left) on the same level as the seedbed.

612-TIP-0711 LEFT WING
612-TIP-0712 RIGHT WING

614-TIP-2711
614-TIP-2712

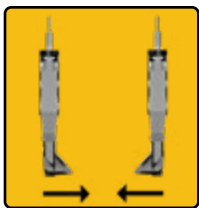
CARBIDE TIP

Side Band cast chrome tip with carbide inserts on the nose and the wing for excellent penetration and wear resistance. A carbide wafer on the bottom of the fertilizer trough prevents bottom wear and keeps the fertilizer trench open.

The seed is placed in a 1-1/2" (38mm) band 3/4" (19mm) above and to the side of the fertilizer row after the fertilizer trench has been closed by the wing.

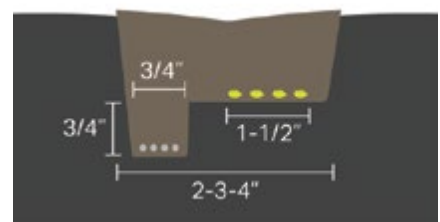
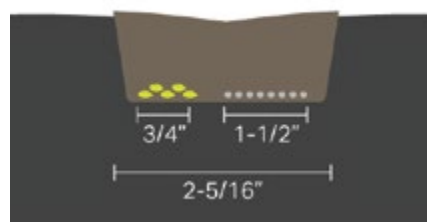
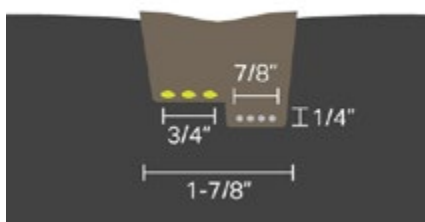
614-TIP-2711 LEFT WING
614-TIP-2712 RIGHT WING

PLEASE NOTE



ALL WINGS ON SIDE BAND OPENERS MUST BE POINTING INWARD TO CENTER OF SEEDING UNIT

to prevent plugging when turning. Customers should order half left wing and half right wing openers.



SEED
FERTILIZER

Drawings for illustration purposes only. All measurements shown are approximate. Results may vary with multiple factors including soil conditions, ground speed, fan speeds, application rates, and more. In less than ideal conditions, mixing between seed and fertilizer may occur. See precautions and risk factors on page 18.

Fertilizer Replaceable Tips

These tips use bolt and nut combo 600-BNC-5000 for installation.



600-TIP-7500

CARBIDE TIP

3/4" (19mm) chrome tip with carbide on the nose.

Fits 410, 599, 600, 602, 670 & 674 Series fertilizer knife holders.



600-TIP-7501

CARBIDE TIP

3/4" (19mm) chrome tip with extra long carbide on the nose.

Fits 410, 599, 600, 602, 670 & 674 Series fertilizer knife holders.



600-TIP-7502

CARBIDE TIP

3/4" (19mm) chrome tip with extra long carbide on the nose.

Fits 410, 599, 600, 602, 670 & 674 Series fertilizer knife holders.



600-TIP-7507

CARBIDE TIP & WING

3/4" (19mm) carbide tip and wing for liquid application. This allows vertical and horizontal separation when double-shooting with liquid.

Only used with side band opener 600-KNH-7562.



600-BNC-5000

BOLT & NUT COMBO

Used to secure 600 series tips onto the 410, 599, 600, 602, 670 & 674 Series fertilizer knife holders.

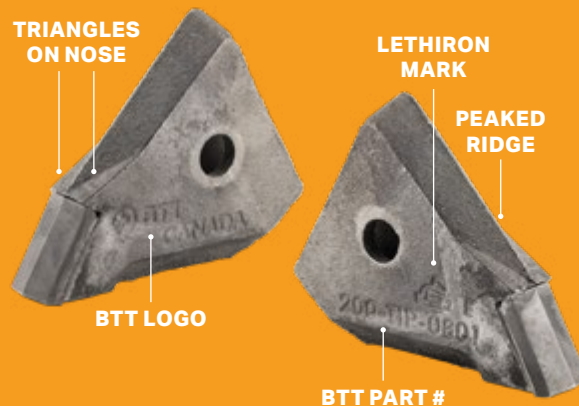
The nut (600-NUT-3754) and bolt (600-BLT-5004) can be ordered separately.

The bolt and nut should be replaced when changing the tip to maintain locking ability of the nut.

There is only one BTT replaceable tip.

Know what you're getting on your next replaceable tip purchase.

Look for a combination of these key identifying features found only on authentic BTT tips.



For guaranteed delivery of multi-shoot openers, place order by January 31st.

Multi-Shoot Opener Precautions & Risk Factors

The development and increased use of multi-shoot openers for one-pass seed and fertilizer placement often brings up the question of how much fertilizer can be safely placed with the seed without causing germination problems or seedling damage. The answer to this question is very complex. In less than ideal conditions, mixing between seed and fertilizer may occur.

It is our company's policy not to recommend or endorse specific "safe" rates of fertilizer for multi-shoot openers due to the wide variance in the precautions and risk factors listed below. Most of our openers are tested at independent research facilities to verify only the placement of seed and fertilizer. We suggest that producers consult their local agronomist to establish acceptable fertilizer rates for their unique seeding conditions.

Consider These Factors When Using Multi-Shoot Openers:

FERTILIZER SOURCE: Depending on the type of fertilizer used, damage can occur either through NH₃ toxicity, salt effects, or a combination of both, as in the case with blended fertilizer.

FERTILIZER RATES: Typically, the risk of crop seedling injury increases with higher fertilizer rates.

CROP TYPE: Crops vary in their ability to tolerate seed-placed fertilizer with cereals being able to withstand more than oilseeds, and pulses falling somewhere in between.

SEED QUALITY: With everything else being equal, seed with poor vigor will suffer more damage from seed-placed fertilizer than seeds with high vigor. If seed vigor is questionable, have it tested.

SOIL MOISTURE: With soil at or near saturation point, the toxic effects of fertilizer are diluted and seeds can germinate, and develop, with few problems. If conditions are very dry, reduce the amount of fertilizer placed near the seed.

SOIL TEXTURE: Fine textured soils such as clay or clay loam tend to reduce toxic effects over coarse or sandy soils because of their ability to hold more water and absorb toxic free NH₃.

ORGANIC MATTER: Higher levels of organic matter (OM) in a soil lessen the risk of damage. For example, when there are reduced levels of OM on dry, eroded hilltops, seedlings are more prone to injury.

SEEDBED UTILIZATION (SBU): This is the proportion of the seedbed used for seed and fertilizer placement. As SBU increases, the crops tolerance to higher rates of seed-placed fertilizer increases. Ex: 2" openers on 10" row spacing have a SBU of 20%.

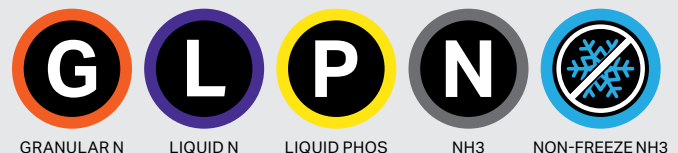
SEEDING DEPTH, PACKING & SPEED: These may compromise seed and fertilizer placement as well as the overall quality of the seeding operation.

ADVERSE SEEDING CONDITIONS: Excessively wet or dry soil at time of seeding can cause erratic seed placement, poor seed-to-soil contact and poor separation, which will also affect the amounts of seed placed fertilizer you can apply.

EXCESS AIR VOLUME: Higher air volumes can result in seed and fertilizer being blown out of the trench or mixing of seed and fertilizer in the trench.

If any of the above conditions are less than ideal, it is advisable to reduce your fertilizer rate accordingly.

FERTILIZER TYPES



Openers

Openers to Fit C-shank

Single & Multi-Shoot Options



047-ASY-1000
047-KNH-1000

SINGLE SHOOT OPENER

FITS: 47° and 50° C-shank

FERTILIZER TYPE: Starter Fertilizer w/ Seed Only

TUBE SIZE: 1-1/4" (32mm) O.D.

BOLT HOLE SPACING: 1-3/4" to 2-1/2" (44-64mm) slotted hole spacing provides the ability to fit many other makes and models.

TIP OPTIONS: Any 200 Series Single Shoot Replaceable Tip, allowing you to choose the right tip for your conditions. **Tips sold separately.** See pages 12-13.

OVERVIEW: Seed is delivered through the precision funnel opening. The front delivery provides precise seed delivery and reduces plugging with better soil flow. Extra hard surfacing on critical wear areas increases the life of the holder.

NOTES: **Installation bolts sold separately.** **047-ASY-1000** uses Grade 8 carriage bolts and **047-KNH-1000** uses plow bolts. See page 116. For an expanded view of this opener see page 123.

047-KNH-1000 is only used directly beside the Bourgault MRB® for improved trash clearance. **Not sold as a complete set, must be ordered separately.** Customers must look at the machine to determine what quantity of shanks are directly beside the MRB®.

50° shanks require 880-WDG-0300 or 880-WDG-0301. See page 114.



047-ASY-1005P

SINGLE SHOOT OPENER

FITS: 47° and 50° C-shank

FERTILIZER TYPE: Starter Fertilizer w/ Seed or Liquid Phos w/ Seed

TUBE SIZE:

Granular: 1-1/4" (32mm) O.D.

Liquid Phos: 3/16" (5mm) O.D.

Can be converted to work with 1/4" (6mm) I.D. delivery hose with 880-ASY-1010. See page 114.

BOLT HOLE SPACING: 1-3/4" to 2-1/2" (44-64mm) slotted hole spacing provides the ability to fit many other makes and models.

TIP OPTIONS: Any 200 Series Single Shoot Replaceable Tip, allowing you to choose the right tip for your conditions. **Tips sold separately.** See pages 12-13.

OVERVIEW: Liquid phos is delivered onto the seed bed, below the seed. Seed is delivered through the precision funnel opening. Front delivery provides precise placement and reduces plugging with better soil flow. Extra hard surfacing on critical wear areas increases holder life.

NOTES: **Installation bolts sold separately.** Use Grade 8 carriage bolts. See page 116.

50° shanks require either 880-WDG-0300 or 880-WDG-0301. See page 114.

For an expanded view of this opener see page 123.



047-VRT-1040

SINGLE SHOOT OPENER

FITS: 47° C-shank

FERTILIZER TYPE: Starter Fertilizer w/ Seed Only

TUBE SIZE: 1-1/4" (32mm) O.D.

BOLT HOLE SPACING: 1-3/4" (44mm)

TIP OPTIONS: 1" (25mm) weld-on tip with extra carbide for long-lasting wear life.

OVERVIEW: The vertical approach of this opener reduces rock pulling and soil throw.

NOTES: **Installation bolts sold separately.** Use plow bolts. See page 116.



050-KNH-0812

SINGLE SHOOT OPENER

FITS: 47° and 50° C-shank

FERTILIZER TYPE: Starter Fertilizer w/ Seed Only

TUBE SIZE: 1-1/4" (32mm) O.D.

BOLT HOLE SPACING: 1-3/4" to 2-1/2" (44-64mm) slotted bolt hole spacing provides the ability to fit many different makes and models.

TIP OPTIONS:

- 200-TIP-1011
- 200-TIP-2011
- 200-TIP-3000
- 200-TIP-3001
- 200-TIP-3011
- 200-TIP-4011

Tips sold separately. See pages 12-13.

OVERVIEW: The rear delivery of this opener provides extra trash clearance.

NOTES: Installation bolts sold separately. Use Grade 8 hex head bolts. See page 120.

Due to plugging, this opener is not recommended with tips:

- 200-TIP-0511
- 200-TIP-0800
- 200-TIP-0801
- 200-TIP-0802
- 200-TIP-0803
- 200-TIP-0811



599-KNH-7540

SINGLE SHOOT OPENER

FITS: 47° C-shank

FERTILIZER TYPE: Starter Fertilizer w/ Seed Only

TUBE SIZE: 1-1/4" (32mm) O.D.

BOLT HOLE SPACING: 1-3/4" (44mm)

TIP OPTIONS:

- 3/4" (19mm) tips:
- 600-TIP-7500
 - 600-TIP-7501
 - 600-TIP-7502

Tips sold separately. See page 17.

OVERVIEW: This opener is designed for a better fit on the Bourgault shank. The larger tip provides extra long wear while reducing wear on the holder.

NOTES: Installation bolts sold separately. Use Grade 8 hex head bolts. See page 118 and 121.



602-KNH-7540

SINGLE SHOOT OPENER

FITS: 47° and 50° C-shank

FERTILIZER TYPE: Starter Fertilizer w/ Seed Only

TUBE SIZE:

600-KNH-7540: 1-1/4" (32mm) O.D.
600-KNH-7640: 1-1/2" (38mm) O.D.

BOLT HOLE SPACING: 1-3/4" to 2-1/2" (44-64mm) slotted bolt hole spacing provides the ability to fit many different makes and models.

TIP OPTIONS:

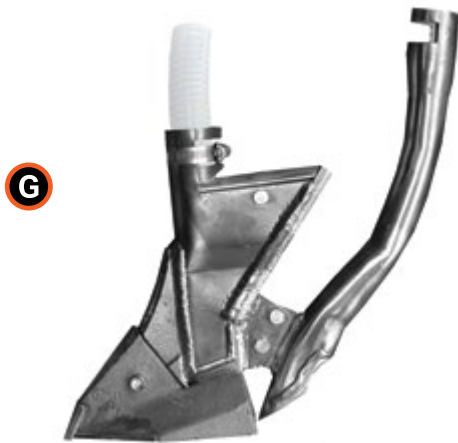
- 3/4" (19mm) tips:
- 600-TIP-7500
 - 600-TIP-7501
 - 600-TIP-7502

Tips sold separately. See page 17.

OVERVIEW: The larger tip on these holders provides extra long wear while reducing wear on the holder.

NOTES: Installation bolts sold separately. Use Grade 8 hex head bolts. See page 118 and 121.

For guaranteed delivery of multi-shoot openers, place orders by January 31st.

**610-ASY-4020***

PAIRED ROW OPENER

SEED PLACEMENT: Seed is directed rearward through the tip which places the seed in two rows onto a firm, unfractured seedbed.

FERTILIZER PLACEMENT: Fertilizer is delivered on the same level, between the rows of seed. In less than ideal conditions, mixing between seed and fertilizer may occur. **See precautions and risk factors on page 18.**

BOLT HOLE SPACING: 1-3/4" to 2-1/2" (44-64mm) slotted hole spacing provides the ability to fit many other makes and models.

TIP OPTIONS: Replaceable cast chrome tip (610-TIP-4041) with carbide inserts on the nose and narrow carbide on the cutting edges of the wings for great penetration. **Assemblies on this page include the tip.**

PACKER RECOMMENDATION: 4" (102mm) or wider.

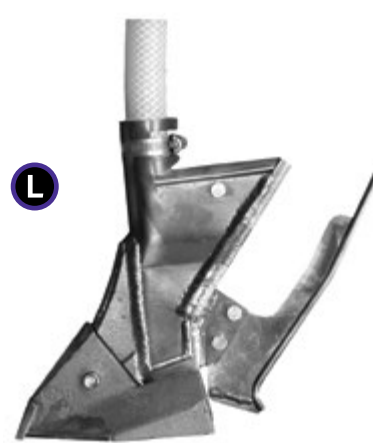
OVERVIEW: Ultra-low draft, low disturbance and smoother fields. Hard facing is placed on critical wear points to ensure a long-lasting holder. The streamlined holder design reduces plugging and allows for better trash clearance. Designed for use with 1-1/4" (32mm) O.D. hose. Bushings available for smaller hoses.

These openers provide the flexibility to easily switch between Granular and Liquid fertilizer. The above openers are available with Liquid Phos options. Please call the factory for more information.

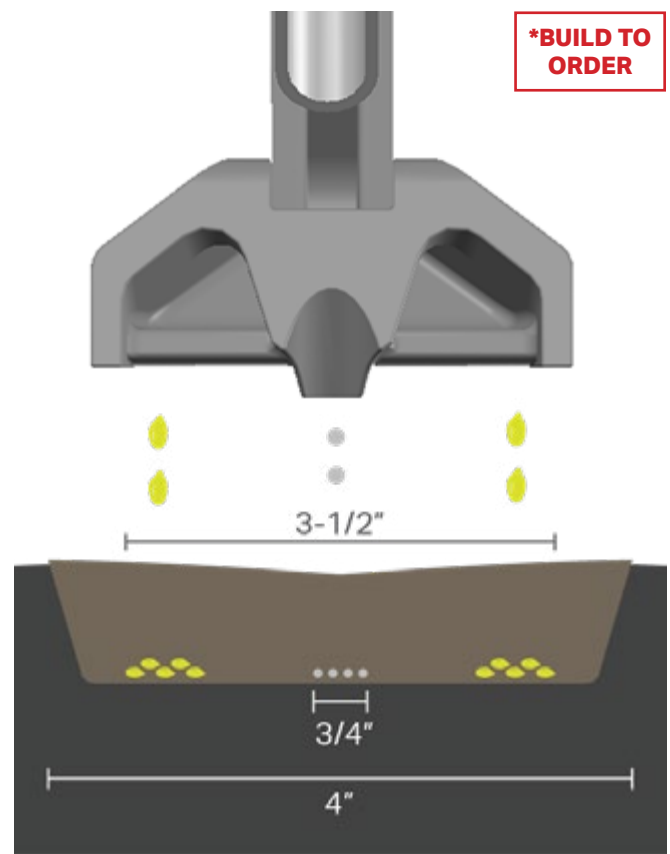
NOTES: **Installation bolts sold separately.** Use Grade 8 carriage bolts. See page 116.

When installing on 50° shanks other than Bourgault or Ezee-On use wedge 880-WDG-0300 or 880-WDG-0301. See page 114.

For an expanded view of these openers see page 127.

**610-ASY-4026***

PAIRED ROW OPENER



SEED FERTILIZER REAR VIEW

Drawings for illustration purposes only. All measurements shown are approximate. Results may vary with multiple factors including soil conditions, ground speed, application rates, fan speeds, and more. In less than ideal conditions, mixing between seed and fertilizer may occur. See precautions and risk factors on page 18.

For guaranteed delivery of multi-shoot openers, place orders by January 31st.



610-ASY-2712G



610-ASY-2712L

610-ASY-2711G
610-ASY-2712G

SIDE BAND OPENER

610-ASY-2711L
610-ASY-2712L

SIDE BAND OPENER

SEED PLACEMENT: The seed is placed 3/4" (19mm) above and to the side of the fertilizer row, the tip's wing seals the fertilizer trench.

FERTILIZER PLACEMENT: Fertilizer is placed in the center 3/4" (19mm) below the seed bed. In less than ideal conditions, mixing between seed and fertilizer may occur. **See precautions and risk factors on page 18.**

BOLT HOLE SPACING: 1-3/4" to 2-1/2" (44-64mm) slotted hole spacing provides the ability to fit many other makes and models.

TIP OPTIONS: Replaceable cast chrome tip with extra long carbide inserts on the nose of the tip for excellent penetration and wear resistance. Top face of wing is covered with two carbide inserts providing excellent wear resistance. **Assemblies on this page include the tip.**

PACKER RECOMMENDATION: 3" (76mm) or wider. **V-Packer not recommended with these openers.**

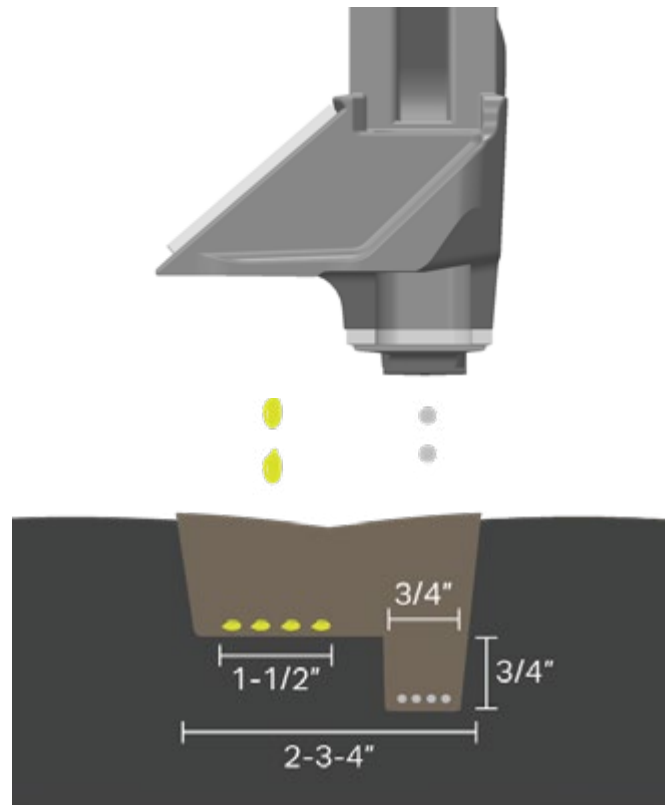
OVERVIEW: Hard facing is placed on critical wear points to ensure a long-lasting holder and proper seed placement. The streamlined holder design reduces plugging and allows for better trash clearance.

Designed for use with 1-1/4" (32mm) O.D. hose. Bushings available for smaller hoses.

NOTES: **Installation bolts sold separately.** Use Grade 8 carriage bolts. See page 116.

When installing on 50° shanks other than Bourgault or Ezee-On use wedge 880-WDG-0300 or 880-WDG-0301. See page 114

For an expanded view of these openers see page 129.



SEED FERTILIZER

REAR VIEW

Drawings for illustration purposes only. All measurements shown are approximate. Results may vary with multiple factors including soil conditions, ground speed, application rates, fan speeds, and more. In less than ideal conditions, mixing between seed and fertilizer may occur. See precautions and risk factors on page 18.

ALL WINGS ON SIDE BAND OPENERS MUST BE POINTING INWARD TO CENTER OF SEEDING UNIT to prevent plugging when turning. Customers should order half left wing and half right wing openers.



612-ASY-0711



610-ASY-0711GP



612-ASY-0712LP

G	G P	*BUILD TO ORDER	
NOT AVAILABLE	610-ASY-0711GP* 610-ASY-0712GP*	L	L P
612-ASY-0711 612-ASY-0712	612-ASY-0711P 612-ASY-0712P	NOT AVAILABLE	610-ASY-0711LP* 610-ASY-0712LP*
		612-ASY-0711L 612-ASY-0712L	612-ASY-0711LP 612-ASY-0712LP

SIDE BAND OPENERS

SEED PLACEMENT: The seed is placed in a 3/4" (19mm) band onto a firm, unfractured seedbed. The 610 GP & LP openers deliver the liquid phosporus below the seed. The 612 GP & LP openers deliver the liquid phosporus on top of the seed.

FERTILIZER PLACEMENT: Fertilizer is delivered in a band off to the side (right or left) on the same level as the seed. In less than ideal conditions, mixing between seed and fertilizer may occur. **See precautions and risk factors on page 18.**

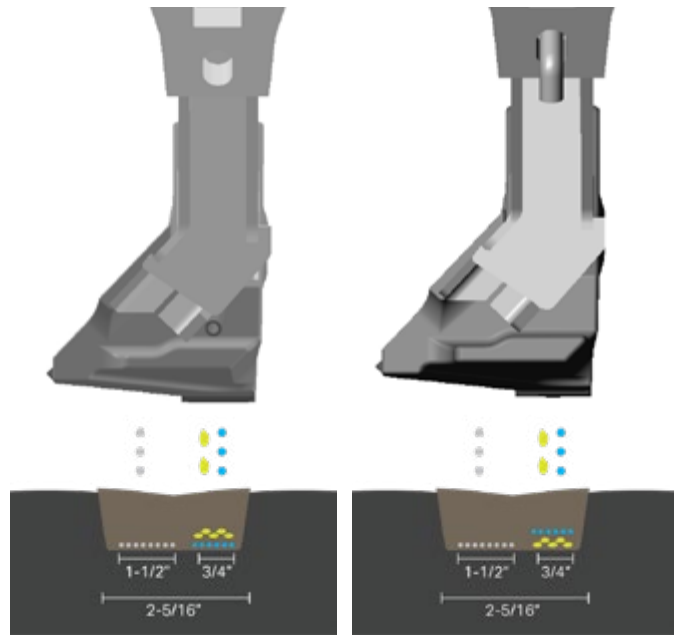
TIP OPTIONS: Replaceable cast chrome tip (612-TIP-0711 & 612-TIP-0712) with carbide inserts on the nose of the tip and the wing for excellent penetration and wear resistance. Narrow carbide cutting edge on the wing for exceptional penetration. **Assemblies on this page include the tip.**

PACKER RECOMMENDATIONS:
2-1/4" (57mm) or wider.

OVERVIEW: Unique design of the tip provides low disturbance, low draft and smoother fields. Hard facing is placed on critical wear points to ensure a long-lasting holder and proper seed placement. The streamlined holder design reduces plugging and allows for better trash clearance. Designed for use with 1-1/4" (32mm) O.D. hose. Bushings available for smaller hoses.

NOTES: **Installation bolts sold separately.** Use Grade 8 carriage bolts. See page 116. **When installing on 50° shanks other than Bourgault or Ezee-On use wedge 880-WDG-0300 or 880-WDG-0301.** See page 114.

For an expanded view of these openers see page 128.



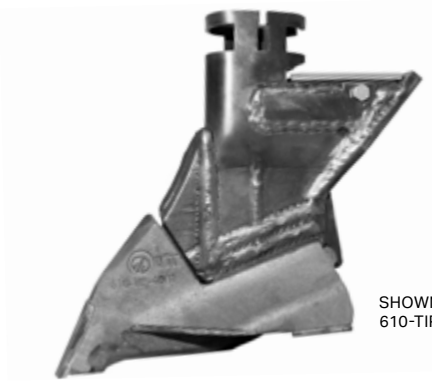
610-ASY-0711GP (SHOWN)
610-ASY-0711LP

612-ASY-0711GP (SHOWN) 612-ASY-0711L
612-ASY-0711LP 612-ASY-0711L

SEED FERTILIZER LIQUID PHOS REAR VIEW

Drawings for illustration purposes only. All measurements shown are approximate. Results may vary with multiple factors including soil conditions, ground speed, application rates, fan speeds, and more. In less than ideal conditions, mixing between seed and fertilizer may occur. See precautions and risk factors on page 18.

ALL WINGS ON SIDE BAND OPENERS MUST BE POINTING INWARD TO CENTER OF SEEDING UNIT to prevent plugging when turning. Customers should order half left wing and half right wing openers.



SHOWN WITH
610-TIP-4081

610-HLD-2080HD

VOS (VERSATILE OPENER SYSTEM)

FITS: 47° and 50° C-shank

FERTILIZER TYPE: Multiple options.
See pages 58-59.

OVERVIEW: This holder is part of the VOS (Versatile Opener System) which gives you the flexibility to choose the right tip and fertilizer tubes for your needs.

Designed for use in rocky conditions, this opener has two plates welded to the sides of the funnel to help strengthen it, making it stiffer and less prone to bending in extreme conditions.

Components and tip sold separately.
See pages 58-59.

NOTES: Installation bolts sold separately.

Use Grade 8 carriage bolts. See page 116.

When installing on 50° shanks other than Bourgault or Ezee-On use wedge 880-WDG-0300 or 880-WDG-0301. See page 114.



SHOWN WITH
620-TIP-0510 & 620-SSH-1000

620-HLD-5000

TITAN OPENER SYSTEM

FITS: 47° and 50° C-shank

FERTILIZER TYPE: Multiple options.
See pages 56-57.

OVERVIEW: This holder is part of the Titan Opener System, an innovative system giving you the most horizontal and vertical seed separation. This system gives you the flexibility to choose the right tip, seed shoe and fertilizer tubes for your needs.

Components sold separately.
See pages 56-57.

NOTES: Installation bolts sold separately.

Use 1/2" x 2-1/4" Grade 8 hex head bolts. See page 118.

Interested in BTT Products?

Try before you buy with
the BTT Demo Program.
See page 55.

For guaranteed delivery of multi-shoot openers, place orders by January 31st.

Openers to Fit Bourgault PLDS



333-KNF-1000
333-KNF-1010

FERTILIZER KNIFE

FITS: Bourgault PLDS

FERTILIZER TYPE: N/A

TUBE SIZE: N/A

BOLT HOLE SPACING: N/A

TIP OPTIONS: N/A

OVERVIEW: This is the replacement fertilizer knife portion as supplied by the OEM for this drill. Carbide applied to the nose for longer wear.

333-KNF-1000 replaces OEM #9366-49.

333-KNF-1010 has extra hard surfacing on the sides for long wear and replaces OEM #9366-99.

NOTES: Installation bolts sold separately. Use 5/8" x 2-1/2" Grade 8 hex head bolts and locking nuts. See page 118.



333-KNF-2000

SINGLE SHOOT SEED OPENER

FITS: Bourgault PLDS

FERTILIZER TYPE: N/A

TUBE SIZE: N/A

BOLT HOLE SPACING: N/A

TIP OPTIONS: N/A

OVERVIEW: This is the replacement seeding knife portion as supplied by the OEM for this drill. Replaces OEM #9366-25.

Long wear back swept carbide approach angle for minimal soil disturbance around the opener.

NOTES: Installation bolts sold separately. Use 1/2" x 1-3/4" Grade 8 hex head bolts and locking nuts. See page 118.



333-KNF-2020

SINGLE SHOOT SEED OPENER
GUMBO KNIFE

FITS: Bourgault PLDS

FERTILIZER TYPE: N/A

TUBE SIZE: N/A

BOLT HOLE SPACING: N/A

TIP OPTIONS: N/A

OVERVIEW: This is the replacement seeding knife portion as supplied by the OEM for this drill. Replaces OEM #9366-25-50.

This knife has a front forward nose carbide minimizing debris hang up on the front of the knife.

NOTES: Installation bolts sold separately. Use 1/2" x 1-3/4" Grade 8 hex head bolts and locking nuts. See page 118.

CROP SEEDED USING 333-ASY-3011
INLINE PAIRED ROW OPENER

Openers to Fit Bourgault PLDS



333-KNF-0511
333-KNF-0512

INLINE BENT OFFSET SINGLE SHOOT
SEED OPENER

FITS: Bourgault PLDS

FERTILIZER TYPE: Starter Fertilizer
w/ Seed Only

TUBE SIZE: N/A

BOLT HOLE SPACING: N/A

TIP OPTIONS: N/A

OVERVIEW: This inline fully welded replacement single shoot seeding opener has carbide and hard surfacing for extra long wear life.

333-KNF-0511 LEFT
333-KNF-0512 RIGHT

NOTES: **Installation bolts sold separately.** Use 1/2" x 1-3/4" Grade 8 hex head bolts and locking nuts. See page 118.



333-ASY-0711
333-ASY-0712

INLINE OFFSET SINGLE SEED OPENER

FITS: Bourgault PLDS

FERTILIZER TYPE: Starter Fertilizer
w/ Seed Only

TUBE SIZE: N/A

BOLT HOLE SPACING: N/A

TIP OPTIONS:

- 612-TIP-0711 (LEFT)
- 612-TIP-0712 (RIGHT)

OVERVIEW: This inline single shoot seeding opener has a replaceable tip with extra long wear life. Seed is placed to the side of the opener.

333-ASY-0711 LEFT
333-ASY-0712 RIGHT

NOTES: **Installation bolts sold separately.** Use 1/2" x 1-3/4" Grade 8 hex head bolts and locking nuts. See page 118.



333-ASY-3011

INLINE PAIRED ROW OPENER

FITS: Bourgault PLDS

FERTILIZER TYPE: Starter Fertilizer
w/ Seed Only

TUBE SIZE: 1-1/4" (32mm) O.D.

BOLT HOLE SPACING: N/A

TIP OPTIONS:

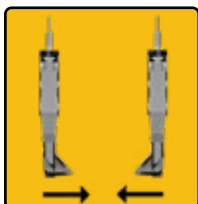
- 200-TIP-3001
- 200-TIP-3011

OVERVIEW: This inline Paired Row opener delivers the seed rearward through the cast seed boot into two bands 2-1/3" apart (center to center). The replaceable 200-TIP-3011 tip will provide exceptional wear life accompanied by a durable long wear holder.

NOTES: **Installation bolts sold separately.** Use 1/2" x 1-3/4" Grade 8 hex head bolts and locking nuts. See page 118.

V Packer not recommended with this opener.

PLEASE NOTE

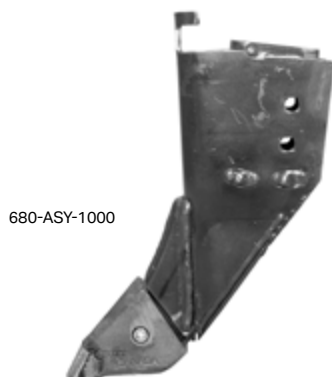


ALL WINGS ON SIDE BAND OPENERS MUST BE POINTING INWARD TO CENTER OF SEEDING UNIT

to prevent plugging when turning. Customers should order half left wing and half right wing openers.

Openers to Fit Bourgault PLS & PLX

Bourgault 3330SE Series & 3335QDA Series



680-ASY-1000

680-ASY-1000 680-HLD-1000

SINGLE SHOOT OPENER

FITS: Bourgault PLX, PLS, XTC, QDA

FERTILIZER TYPE: Starter Fertilizer w/ Seed Only

TUBE SIZE: 1-1/4" (32mm) O.D.

TIP OPTIONS: Any 200 Series Single Shoot Replaceable Tip, allowing you to choose the right tip for your conditions. **Tips sold separately.** See pages 12-13.

OVERVIEW: Seed is delivered through the precision funnel opening. Front delivery provides precise seed placement and reduces plugging with better soil flow. Extra hard surfacing on critical wear areas increases the life of the holder and reduces breakage in rocky conditions.

NOTES: **Installation bolts sold separately.** Use 3/8" x 2-1/4" Grade 8 carriage bolts. (960-CRG-3755 & 907-NPF) See page 116. When installing use bolt holes pictured in Fig. 1.

680-HLD-1000 does not have a bushing.

For an expanded view of this opener see page 125.



680-ASY-1000P

680-ASY-1000P 680-HLD-1000P

SINGLE SHOOT OPENER

FITS: Bourgault PLX, PLS, XTC, QDA

FERTILIZER TYPE: Starter Fertilizer w/ Seed or Seed w/ Liquid Phos

TUBE SIZE:

Granular: 1-1/4" (32mm) O.D.

Liquid Phos: 3/16" (5mm) O.D. Can be converted to work with 1/4" (6mm) I.D. delivery hoses with 880-ASY-1010. See page 125.

TIP OPTIONS: Any 200 Series Single Shoot Replaceable Tip, allowing you to choose the right tip for your conditions. **Tips sold separately.** See pages 12-13.

OVERVIEW: Liquid phos is delivered onto the seed bed, below the seed. Seed is delivered through the precision funnel opening. Front delivery provides precise seed placement and reduces plugging with better soil flow. Extra hard surfacing on critical wear areas increases the life of the holder and reduces breakage in rocky conditions.

NOTES: **Installation bolts sold separately.** Use 3/8" x 2-1/4" Grade 8 carriage bolts. (960-CRG-3755 & 907-NPF) See page 116. When installing use bolt holes pictured in Fig. 1.

680-HLD-1000P does not have a bushing. For an expanded view of this opener see page 125.



680-KNF-5000

SINGLE SHOOT OPENER

FITS: Bourgault PLX, PLS, XTC, QDA

FERTILIZER TYPE: Starter Fertilizer w/ Seed Only

TUBE SIZE: 1-1/4" (32mm) O.D.

OVERVIEW: This opener is designed around a smooth one piece casting. The design produces an opener having minimal drag with less soil throw. The opener is equipped with two nose carbides & added hardsurfacing to ensure a very long wear life.

NOTES: **Installation bolts sold separately.** Use 3/8" x 2" Grade 8 hex bolt (944-HRG-2000) & 3/8" flanged lock nut (907-NPF-3755) See page 116. When installing use bolt holes pictured in Fig. 1. 880-BSH-1130 is required if you use a 1-1/8" hose.

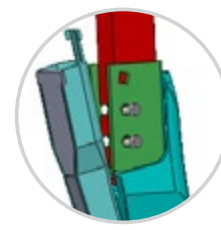


FIG. 1



680-ASY-0712G



680-ASY-0711GP



680-ASY-0711G
680-ASY-0712G

680-ASY-0711L
680-ASY-0712L

680-ASY-0711GP
680-ASY-0712GP

680-ASY-0711LP
680-ASY-0712LP

SIDE BAND OPENERS

FITS: Bourgault PLX, PLS, XTC, QDA

SEED PLACEMENT: Seed is placed in a 3/4" (19mm) band onto a firm, unfractured seedbed. The GP & LP openers deliver the liquid phosphorus below the seed.

FERTILIZER PLACEMENT: Fertilizer is delivered in a band off to the side (right or left) on the same level as the seed. In less than ideal conditions, mixing between seed and fertilizer may occur. **See precautions and risk factors on page 18.**

TIP OPTIONS: Replaceable cast chrome tip (612-TIP-0711 & 612-TIP-0712) with carbide inserts on the nose and the wing for excellent penetration and wear resistance. Narrow carbide cutting edge on the wing for exceptional penetration.

Assemblies on this page include the tip.

PACKER RECOMMENDATIONS:

2-1/4" (57mm) or wider.

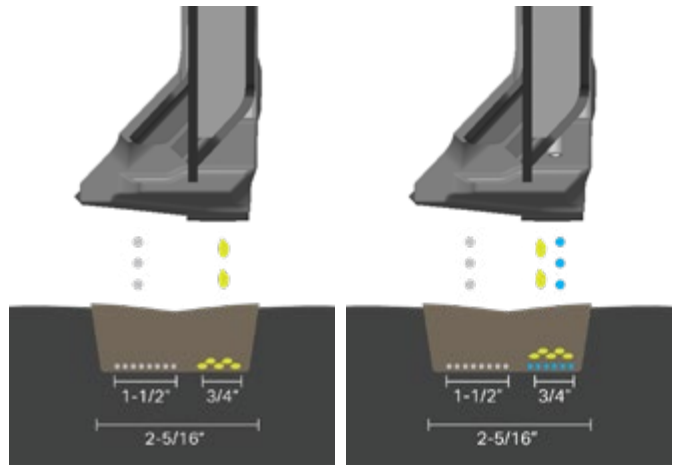
OVERVIEW: Unique design of the tip provides low disturbance, low draft and smoother fields. Hard facing is placed on critical wear points to ensure a long-lasting holder and proper seed placement. The streamlined holder design reduces plugging and allows for better trash clearance.

NOTES: **Installation bolts sold separately.**

Use 3/8" x 2-1/4" Grade 8 carriage bolts. See page 116.

When installing use bolt holes pictured in Fig. 2.

For an expanded view of these openers see page 128.



680-ASY-0711G (SHOWN)
680-ASY-0711L

680-ASY-0711GP (SHOWN)
680-ASY-0711LP

SEED FERTILIZER LIQUID PHOS REAR VIEW

Drawings for illustration purposes only. All measurements shown are approximate. Results may vary with multiple factors including soil conditions, ground speed, application rates, fan speeds, and more. In less than ideal conditions, mixing between seed and fertilizer may occur. See precautions and risk factors on page 18.

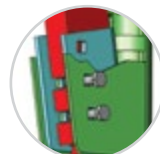


FIG. 2

ALL WINGS ON SIDE BAND OPENERS MUST BE POINTING INWARD TO CENTER OF SEEDING UNIT to prevent plugging when turning. Customers should order half left wing and half right wing openers.

Openers to Fit Bourgault PLS & PLX

Bourgault 3330SE Series & 3335QDA Series, TriMax™ Triple-Shoot System



680-ASY-2711G



680-ASY-2711LP

G

G P

L

L P

680-ASY-2711G
680-ASY-2712G

680-ASY-2711GP
680-ASY-2712GP

680-ASY-2711L
680-ASY-2712L

680-ASY-2711LP
680-ASY-2712LP

SIDE BAND OPENERS

FITS: Bourgault PHD, XTC, QDA

SEED PLACEMENT: The seed is placed 3/4" (19mm) above and to the side of the fertilizer row, the tip's wing seals the fertilizer trench. The GP & LP openers deliver the liquid phos on top of the seed.

FERTILIZER PLACEMENT: Fertilizer is placed in the center 3/4" (19mm) below the seed bed. In less than ideal conditions, mixing between seed and fertilizer may occur. **See precautions and risk factors on page 18.**

TIP OPTIONS: Replaceable cast chrome tip (614-TIP-2711 & 614-TIP-2712) with extra long carbide inserts on the nose of the tip for excellent penetration and wear resistance. Top face of wing is covered with two carbide inserts and heel of fertilizer trench has a u-shaped carbide wafer, providing a longer wear life. **Assemblies on this page include the tip.**

PACKER RECOMMENDATION: 4-1/2" (114mm) Semi-Pneumatic Packer recommended. **V-Packer not recommended with these openers.**

OVERVIEW: Hard facing is placed on critical wear points to ensure a long-lasting holder and proper seed placement. The streamlined holder design reduces plugging and allows for better trash clearance.

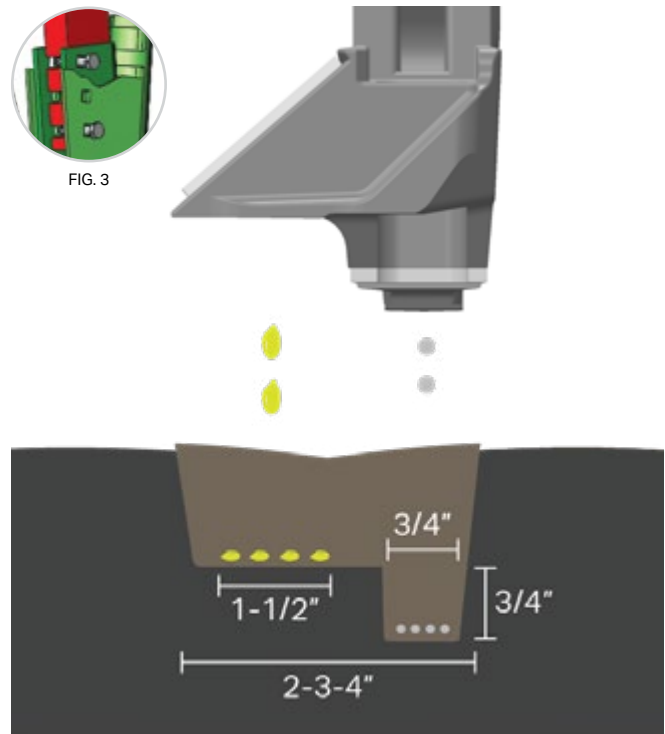
NOTES: **Installation bolts sold separately.** Use 3/8" x 2-1/4" Grade 8 carriage bolts. See page 116.

When installing use bolt holes pictured in Fig. 3.

For an expanded view of these openers see page 129.



FIG. 3



SEED FERTILIZER

REAR VIEW

Drawings for illustration purposes only. All measurements shown are approximate. Results may vary with multiple factors including soil conditions, ground speed, application rates, fan speeds, and more. In less than ideal conditions, mixing between seed and fertilizer may occur. See precautions and risk factors on page 18.

ALL WINGS ON SIDE BAND OPENERS MUST BE POINTING INWARD TO CENTER OF SEEDING UNIT to prevent plugging when turning. Customers should order half left wing and half right wing openers.



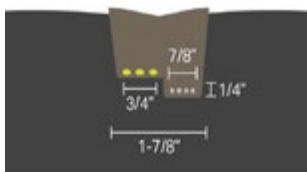
680-ASY-0211

680-ASY-0211
680-ASY-0212

SIDE BAND OPENER

FITS: Bourgault TriMax™ Triple-Shoot System**FERTILIZER TYPE:** Starter Fertilizer or Granular Phos**SEED PLACEMENT:** The seed is placed in a 3/4" (19mm) band onto a firm seedbed. The starter fertilizer or Granular P is placed to the side onto a slightly lower shelf than the seed.**FERTILIZER PLACEMENT:** Granular openers are fitted with a 1-1/4" (32mm) O.D. tube which places the granular phos or starter fertilizer to the side and slightly lower than the seed bed.**TIP OPTIONS:** Replaceable cast chrome TriMax tip (612-TIP-0211 & 612-TIP-0212) with carbide inserts on the nose and the underside of the wing for excellent penetration and wear resistance.**Assemblies on this page include the tip.****PACKER RECOMMENDATIONS:** 4-1/2" (114mm) round or 5" (127mm) "U" and "VU" packers. The 4-1/2" V packer is not recommended.**NOTES:** **Installation bolts sold separately.** Use 3/8" x 2-1/4" Grade 8 carriage bolts. See page 116. When installing on a Bourgault PHD use bolt holes pictured in Fig. 4A.

For an expanded view of these openers see page 126.



SEED ●●●●● FERTILIZER ●●●●●

REAR VIEW

Drawings for illustration purposes only. All measurements shown are approximate. Results may vary with multiple factors including soil conditions, ground speed, application rates, fan speeds, and more. In less than ideal conditions, mixing between seed and fertilizer may occur. See precautions & risk factors on page 18.

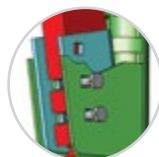


FIG. 4A



FIG. 4



682-ASY-2063

682-ASY-2063
682-ASY-2064

SIDE BAND OPENER

FITS: Bourgault PHD, XTC, QDA**FERTILIZER TYPE:** Double Shoot Liquid N.**SEED PLACEMENT:** The slim body provides low draft and low soil disturbance for better trash clearance while ensuring great seed placement. The seed is placed in a 3/4" (19mm) band onto a firm, unfractured seedbed.**FERTILIZER PLACEMENT:** Liquid N or Pressurized NH₃ openers are fitted with a 1/4" (6mm) O.D. stainless steel tube which places fertilizer behind the wing and 1-1/2" (38mm) outward to the side away from the seed band. This provides increased separation of seed and fertilizer. In less than ideal conditions, mixing between seed and fertilizer may occur.**See precautions and risk factors on page 18.****TIP OPTIONS:** Cast chrome tip with extra long carbide inserts on the nose of the tip provides excellent penetration and wear resistance. Top face of the wing is covered with two carbide inserts providing a longer wear life. The tip is non-replaceable and welded to the seed boot.**PACKER RECOMMENDATIONS:** 2-1/4" (57mm) or wider.**LIQUID PHOS OPTIONS:** The P opener delivers liquid phos on top of the seed row. A 1/4" (6mm) stainless steel tube is welded to the back of the seed boot.**NOTES:** **Installation bolts sold separately.** Use 3/8" x 2-1/4" Grade 8 carriage bolts. See page 116. When installing on a Bourgault PHD use bolt holes pictured in Fig. 4.

For an expanded view of these openers see page 126.

ALL WINGS ON SIDE BAND OPENERS MUST BE POINTING INWARD TO CENTER OF SEEDING UNIT to prevent plugging when turning. Customers should order half left wing and half right wing openers.

Openers to Fit Bourgault Mid Row Shank



1/2" WIDE
050-MRA-5130

050-MRA-5120
050-MRA-5130

050-MRA-5122
050-MRA-5131

FERTILIZER KNIFE

FITS: Bourgault MRS and stand alone fertilizer applicators

FERTILIZER TYPE: Granular + NH₃, Granular + Liquid

TUBE SIZE:

NH₃: 1/2" (12mm) O.D.

Liquid: 1/4" (6mm) O.D. stainless steel

Granular: 1-3/4" (44mm) O.D.

BOLT HOLE SPACING: 1-3/4" (44mm) shank bolt hole spacing.

TIP OPTIONS: N/A

OVERVIEW: This 1/2" wide low disturbance MRS fertilizer knife is a low maintenance alternative to Mid Row Banders. It has double carbide on the nose as well as hard facing above the carbide and on the sides for longer wear.

050-MRA-5120 applies NH₃.

050-MRA-5122 applies two streams of NH₃.

050-MRA-5130 applies both NH₃ + Granular.

050-MRA-5131 applies both Liquid + Granular.

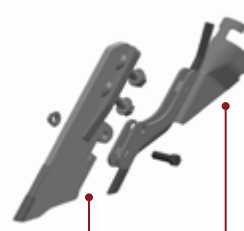
NOTES: **Installation bolts included.**

Torque dry 110 ft. lbs.

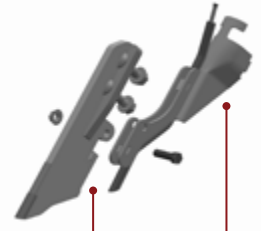
For other options see page 75.

For an expanded view of this opener see page 124.

Modular design allows you to replace worn parts instead of the entire opener.



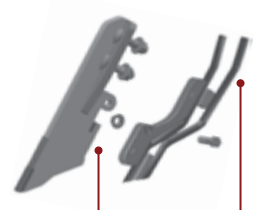
050-MRH-5175 + 050-MRF-0030
050-MRA-5130



050-MRH-5175 + 050-MRF-0031
050-MRA-5131



050-MRH-5175 + 050-MRF-0020
050-MRA-5120



050-MRH-5175 + 050-MRF-0022
050-MRA-5122

DOUBLE NH₃ TUBES FOR BLOW OFF



Openers to Fit CNH

Case IH, New Holland, Flexi-Coil & Concord



684-KNH-1010

SINGLE SHOOT OPENER

FITS: Case IH 800 / 900, New Holland P2070 / 2075, Flexi-Coil PD5700 / 7200

FERTILIZER TYPE: Starter Fertilizer w/ Seed Only

TUBE SIZE: 1-1/4" (32mm) O.D.

TIP OPTIONS: Any 200 Series Single Shoot Replaceable Tip, allowing you to choose the right tip for your conditions. **Tips sold separately.** See pages 12-13.

OVERVIEW: This single shoot opener is designed to clear heavy trash build up, the narrow design allows for more accurate seed placement behind the tip. Extra hard surfacing on critical wear areas increases the life of the holder. This holder has an extra set of bolt holes on the body for deeper seed placement where required.

NOTES: **Installation bolts sold separately.** Use 1/2" x 2" Grade 8 hex head bolts. See page 118.

Standard installation uses the bottom holes (pictured red in Fig. 5). For 1.5" more depth use the top holes (pictured yellow in Fig. 5).

Install on left side of shank.



FIG. 5



694-KNH-1000

SINGLE SHOOT OPENER

FITS: (84° Shanks Only) Case IH ATX 700, Flexi-Coil 5500, New Holland P2060

FERTILIZER TYPE: Starter Fertilizer w/ Seed or Seed w/ Liquid Phos

TUBE SIZE: Granular: 1-1/4" (32mm) O.D.

TIP OPTIONS: Any 200 Series Single Shoot Replaceable Tip, allowing you to choose the right tip for your conditions. Tip should not be wider than packer. **Tips sold separately.** See pages 12-13.

OVERVIEW: This single shoot opener applies Liquid Phosphorous on top of the seed, the narrow design allows for more accurate seed placement behind the tip. Extra-hard surfacing on critical wear areas increases the life of the holder.

NOTES: **Installation bolts sold separately.** Use 1/2" x 2-1/4" Grade 8 hex head bolts. See page 118.

684-ASY-2711G



684-ASY-2711L



G

684-ASY-2711G
684-ASY-2712G

G P

684-ASY-2711GP
684-ASY-2712GP

L

684-ASY-2711L
684-ASY-2712L

L P

684-ASY-2711LP
684-ASY-2712LP

SIDE BAND OPENERS

FITS: Case IH 800 / 900, NH P2070 / P2075, Flexi-Coil PD5700 / 7200

SEED PLACEMENT: The seed is placed 3/4" (19mm) above and to the side of the fertilizer row, the tip's wing seals the fertilizer trench and firms up the seed bed. The GP & LP openers deliver the liquid phos on top of the seed.

FERTILIZER PLACEMENT: Fertilizer is placed in the center 3/4" (19mm) below the seed bed. In less than ideal conditions, mixing between seed and fertilizer may occur. **See precautions and risk factors on page 18.**



FIG. 6

TIP OPTIONS: Replaceable cast chrome tip with extra long carbide inserts on the nose of the tip for excellent penetration and wear resistance. Top face of wing is covered with two carbide inserts and heel of fertilizer trench has a u-shaped carbide wafer, providing a longer wear life. **Assemblies on this page include the tip.**

PACKER RECOMMENDATION: 3" (76mm) or wider. **V-Packer not recommended.**

OVERVIEW: Hard facing is placed on critical wear points to ensure a long-lasting holder and proper seed placement. The streamlined holder design reduces plugging and allows for better trash clearance.

NOTES: **Installation bolts sold separately.** Use 1/2" x 2" Grade 8 hex head bolts. See page 118.

When installing 684 openers use bottom holes for standard installation (pictured red in Fig. 6). Use top holes to add 3° more pitch (pictured yellow in Fig. 6). For an expanded view of these openers see page 129.

ALL WINGS ON SIDE BAND OPENERS MUST BE POINTING INWARD TO CENTER OF SEEDING UNIT to prevent plugging when turning. Customers should order half left wing and half right wing openers. The holder is always bolted to the left side of the shank with the wings of the tip always facing the center of the drill.



SHOWN WITH
620-TIP-0510 &
620-SSH-1000



694-HLD-5000

TITAN OPENER SYSTEM

FITS: (84° Shanks Only) Case IH ATX 700, Concord, New Holland P2060, Flexi-Coil 5500

FERTILIZER TYPE: Multiple options. See pages 56-57.

OVERVIEW: This holder is part of the Titan Opener System, an innovative system giving you the most horizontal and vertical seed separation. This system gives you the flexibility to choose the right tip, seed shoe and fertilizer tubes for your needs. **Shown with 620-TIP-0510 and 620-SSH-1000.**

Components sold separately. See pages 56-57.

NOTES: **Installation bolts sold separately.** Use 1/2" x 2-12" Grade 8 hex head bolts. See page 118.



We had problems with competitor openers plugging, wearing quickly and the plugging getting much worse. We installed new BTT openers this spring and we had zero plugging issues. The seed placement was great, and there was good separation between the midrow bander and the seed. We were very pleased to see 10-15% less horse power required with these openers. Our fuel consumption this seeding season was down considerably! I would highly recommend BTT openers. I was very happy with the service I received; the rep knew his stuff!

John Meagher, Loon Lake, Saskatchewan, Canada

Sustainable Farming. Reduced Input Costs.

VOS (Versatile Opener System) Fits Horsch Sprinter & Co

1

Drill into a wide variety of situations across a range of soil types.

2

Minimal draft and soil disturbance due to low rake angle design.

3

Less draft and reduced wear rates at a lower cost per hectare.

4

More consistent seed and fertilizer placement for an even crop establishment.

5

Increased soil moisture retention.



We had an existing Horsch 4m Sprinter with the standard "Duett" coulters, in 2015 we looked for an alternative system that caused less disturbance, but also gave us more consistency in seed depth.

We came across Bourgault Tillage Tools VOS at the Cereals event, the system looked right for us. Then with the explanation of how the tips worked, we decided to order a set for our Horsch Sprinter.

The BTT VOS has drilled a wide variety of products through the one tip (4" paired row), spring barley, beans, linseed, spring oats, vining peas, oilseed rape (canola) and wheat.

The VOS has also given us all the other benefits with a tip that causes less disturbance and consistency in seed placement, lower draft requirement, longevity of the product to name a few.

This drill remained with us on VOS until 2023. When it was time to think about changing the drill, for a new Horsch 6m Sprinter with a dual tank, having had the VOS system previously, there was no hesitation to upgrade the new drill to VOS fertilizer system.

The fertilizer was placed where we needed it on both the new & previous Horsch Sprinter systems using VOS.

Mike & James Porter
Porters Farms (Walpole) Suffolk, United Kingdom

Openers to Fit Horsch

Horsch Sprinter & Co



SHOWN WITH
200-TIP-0802

688-HLD-1000 W/ 200-TIP-0802

SINGLE SHOOT SEED OPENER

FITS: Horsch 84° Shank, ST and CO

FERTILIZER TYPE: Starter Fertilizer w/ Seed Only

TUBE SIZE: 1-1/4" (32mm) O.D.

TIP OPTIONS:

- 200-TIP-0802
- 200-TIP-1011
- 200-TIP-2011
- 200-TIP-3011
- 610-TIP-4030

Tips sold separately. See pages 12-14.

OVERVIEW: This single shoot opener has a narrow design allowing for more accurate seed placement behind the tip. Extra hard surfacing on critical wear areas increases the life of the holder. This holder comes with a second set of holes allowing you to adjust the pitch by 3° when required.

NOTES: **Installation bolts sold separately.** Use M16 x 55 10.9 hex head bolts. Standard installation uses the bottom holes (pictured red in Fig. 7), for 4° more pitch use the top holes (pictured yellow in Fig. 7).

Hose clamps used to secure seed hoses from drill are sold separately.



FIG. 7



SHOWN WITH
610-TIP-4030

688-HLD-1000 W/ 610-TIP-4030

SINGLE SHOOT SEED OPENER

FITS: Horsch 84° Shank, ST and CO

FERTILIZER TYPE: Starter Fertilizer w/ Seed Only

TIP OPTIONS:

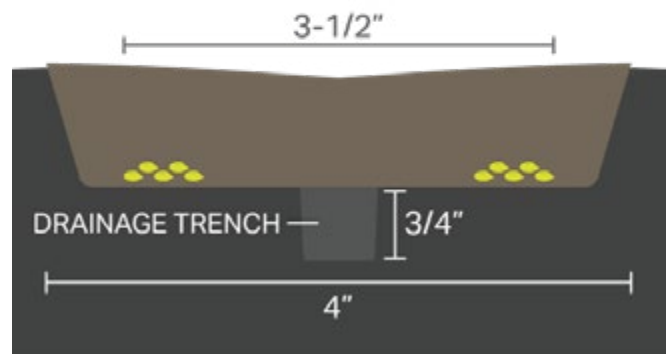
- 200-TIP-0802
- 200-TIP-1011
- 200-TIP-2011
- 200-TIP-3011
- 610-TIP-4030

Tips sold separately. See pages 12-14.

OVERVIEW: This single shoot opener has a narrow design allowing for more accurate seed placement behind the tip. Extra hard surfacing on critical wear areas increases the life of the holder. This holder comes with a second set of holes allowing you to adjust the pitch by 3° when required.

Components sold separately. See pages 58-59.

NOTES: **Installation bolts sold separately.** Use M16 x 55 10.9 hex head bolts. Standard installation uses the bottom holes (pictured red in Fig. 7), for 4° more pitch use the top holes (pictured yellow in Fig. 7).



SEED FERTILIZER

610-TIP-4030

Drawings for illustration purposes only. All measurements shown are approximate. Results may vary with multiple factors including soil conditions, ground speed, application rates, fan speeds, and more. In less than ideal conditions, mixing between seed and fertilizer may occur. See precautions and risk factors on page 18.

SHOWN WITH
610-TIP-4030



688-HLD-2000

PAIRED ROW OPENER

FITS: Horsch 84° Shank, ST and CO

SEED PLACEMENT: Seed is directed rearward through the tip which places the seed in two rows onto a firm, unfractured seedbed.

FERTILIZER PLACEMENT: Fertilizer is delivered on the same level, between the rows of seed. In less than ideal conditions, mixing between seed and fertilizer may occur.

See precautions and risk factors on page 18.

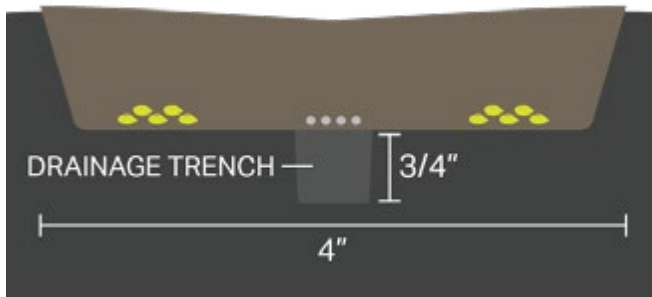
TIP OPTIONS:

- 610-TIP-4041
- 610-TIP-4030

Tips sold separately. See page 14.

OVERVIEW: Hard facing is placed on critical wear points. The streamlined holder design reduces plugging and allows for better trash clearance. Designed for use with 1-1/4" (32mm) O.D. hose. These openers provide the flexibility to easily switch between granular and liquid fertilizer.

NOTES: **Installation bolts sold separately.** Purchase through your local dealer. Use M16 x 55 10.9 hex head bolts. Standard installation uses the bottom holes (pictured red in Fig. 8 on page 39), for 4° more pitch use the top holes (pictured yellow in Fig. 8).



SHOWN WITH
620-TIP-0510 &
620-SSH-1000



688-HLD-5000

TITAN OPENER SYSTEM

FITS: Horsch 84° Shank, ST and CO

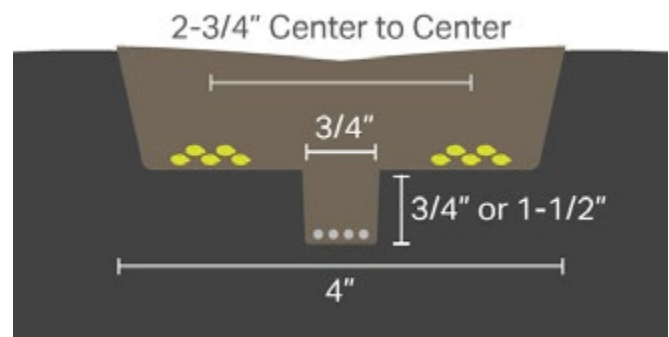
FERTILIZER TYPE: Multiple options. See pages 56-57.

OVERVIEW: This holder is part of the Titan Opener System, an innovative system giving you the most horizontal and vertical seed separation. This system gives you the flexibility to choose the right tip, seed shoe and fertilizer tubes for your needs.

Components sold separately. See pages 56-57.

For a more detailed view of these components pages 134-135.

NOTES: **Installation bolts sold separately.** Purchase through your local dealer. Use M16 x 55 10.9 hex head bolts.



SEED
FERTILIZER

Drawings for illustration purposes only. All measurements shown are approximate. Results may vary with multiple factors including soil conditions, ground speed, fan speeds, application rates, and more. In less than ideal conditions, mixing between seed and fertilizer may occur. See precautions and risk factors on page 18.

All product and company names are trademarks™ or registered® trademarks of their respective holders. Use of them does not imply any affiliation with or endorsement by them. Horsch and any other use and/or mentions of their name and/or product designations are the property and registered trademarks of Horsch Maschinen GmbH.

SHOWN WITH
610-TIP-4082



688-HLD-2080 W/ 610-TIP-4082

VOS (VERSATILE OPENER SYSTEM)

FITS: Horsch 84° Shank, ST and CO

FERTILIZER TYPE: Multiple options. See pages 58-59.

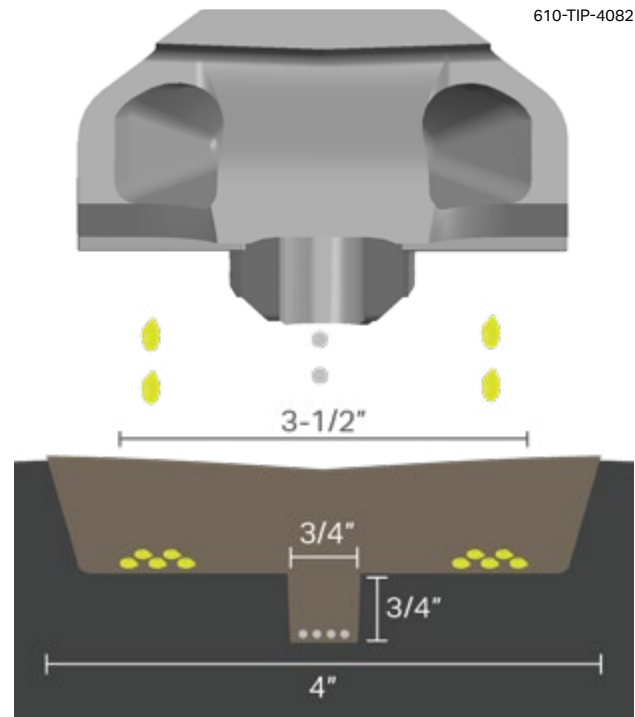
TIP OPTIONS:

- 610-TIP-0802
- 610-TIP-3581
- 610-TIP-4035
- 610-TIP-4081
- 610-TIP-4082
- 610-TIP-4085
- 610-TIP-6082



FIG. 8

610-TIP-4082



Tips sold separately. See pages 13-15.

OVERVIEW: This holder is part of the VOS (Versatile Opener System) which gives you the flexibility to choose the right tip and fertilizer tubes for your needs. This holder comes with a second set of holes allowing you to adjust the pitch by 3° when required.

Components sold separately. See pages 58-59.

NOTES: **Installation bolts sold separately.** Use M16 x 55 10.9 hex head bolts. Purchase through your local dealer.

Standard installation uses the bottom holes (pictured red in Fig. 8), for 4° more pitch use the top holes (pictured yellow).



Fertilizer Knives to Fit John Deere

John Deere P500 & 1870 Conserva Pak Air-Hoe Drill

TIP OPTIONS:

- 200-TIP-0801
- 200-TIP-0802
- 200-TIP-0803
- 200-TIP-0811

Tips Sold Separately. See page 12.

OVERVIEW: The body and fertilizer tubes are narrow with additional hard-surfacing on critical wear areas to increase the life of the holder.

650-ACC-1000 bracket is required on single fertilizer knives and limits the tripping distance of the knives.

650-ACC-1010 bracket is required for 650-HLD-1000GN and 650-HLD-1000GL. Required on units prior to 2017.

Brackets sold separately.
Mounting bolts included.
See page 130.

NOTES: Use roll pins to install. Must be purchased through your John Deere dealer.

For an expanded view of these openers see page 130.

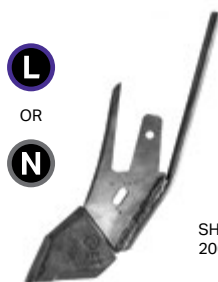
All product and company names are trademarks™ or registered® trademarks of their respective holders. Use of them does not imply any affiliation with or endorsement by them. John Deere and 1870 Conserva Pak are the registered trademarks of Deere & Company.



650-ACC-1000



650-ACC-1010



SHOWN WITH
200-TIP-0802

650-HLD-1001

FERTILIZER TYPE: Liquid or NH3
TUBE SIZE: 0.4" O.D. stainless steel pipe
NOTES: Use with 650-ACC-1000.



650-HLD-1000G

FERTILIZER TYPE: Granular
TUBE SIZE: 1-1/4" (32mm) O.D.
NOTES: Use with 650-ACC-1000.



650-HLD-1000L

FERTILIZER TYPE: Liquid
TUBE SIZE: 1/4" (6mm) O.D. stainless steel pipe
NOTES: Use with 650-ACC-1000.



650-HLD-1000N

FERTILIZER TYPE: NH3
TUBE SIZE: 1/2" (12mm) O.D. NH3 pipe
NOTES: Use with 650-ACC-1000.



650-HLD-1000GL

FERTILIZER TYPE: Granular + Liquid
TUBE SIZE: 1/4" (6mm) O.D. stainless steel and 1-1/4" (32mm) O.D. granular pipe
NOTES: Use with 650-ACC-1010.



650-HLD-1000GN

FERTILIZER TYPE: Granular + NH3
TUBE SIZE: 1/2" (12mm) O.D. NH3 and 1-1/4" (32mm) O.D. granular pipe
NOTES: Use with 650-ACC-1010.

Seed Openers to Fit John Deere

John Deere P500 & 1870 Conserva Pak Air-Hoe Drill

P

650-ASY-0711



***BUILD TO ORDER**

650-ASY-0711
650-ASY-0712

650-ASY-0711P*
650-ASY-0712P*

SIDE BAND OPENER

FERTILIZER TYPE: Starter Fertilizer w/ Seed or Seed w/ Liquid Phos

TUBE SIZE:

Granular: 1-1/4" (32mm) O.D. **Liquid Phos:** 3/16" (5mm) O.D. This can be converted to work with 1/4" (6mm) I.D.

TIP OPTIONS: Cast chrome tip (612-TIP-0711 & 612-TIP-0712) with carbide inserts on the nose and the wing for excellent penetration and wear resistance. The seed is placed in a 3/4" (19mm) band onto a firm, unfractured seed bed. **Assembly includes the tip.**

OVERVIEW: The seed is directed to the side through the holder which places the seed in one row off to the side on a firm, unfractured seed bed. Extra hard surfacing on critical wear areas increases the life of the holder.

For Liquid Phos option order 650-ASY-0711P / 0712P.

NOTES: **Installation bolts sold separately.** Use M8x30 Class 10.9 carriage head bolts. Purchase through your John Deere dealer.

For an expanded view of this opener see page 131.

P

650-ASY-3011



***BUILD TO ORDER**

650-ASY-3011
650-ASY-3011P*

PAIRED ROW OPENER

FERTILIZER TYPE: Starter Fertilizer w/ Seed or Seed w/ Liquid Phos

TUBE SIZE:

Granular: 1-1/4" (32mm) O.D. **Liquid Phos:** 3/16" (5mm) O.D. This can be converted to work with 1/4" (6mm) I.D.

TIP OPTIONS: 3" (76mm) cast chrome tip (200-TIP-3011) with carbide insert on the nose to fracture the ground. Carbide inserts on the underside of the wings maintain a sharp cutting edge. **Assembly includes the tip.**

OVERVIEW: The seed is directed rearward through the holder which places the seed in two rows onto a firm, unfractured seed bed. Extra hard surfacing on critical wear areas increases the life of the holder. **For Liquid Phos option order 650-ASY-3011P.**

NOTES: **Installation bolts sold separately.** Use M8x30 Class 10.9 carriage head bolts. Purchase through your John Deere dealer.

For an expanded view of this opener see page 131.

ALL WINGS ON SIDE BAND OPENERS MUST BE POINTING INWARD TO CENTER OF SEEDING UNIT to prevent plugging when turning. Customers should order half left wing and half right wing openers.

MAXLIFE
SCRAPERS

Check out scrapers to fit John Deere packers on page 97.



Seed Openers to Fit John Deere

John Deere P670 & P680 Precision Air-Hoe Drill



FERTILIZER TYPES: Granular N, Granular N + NH₃, Granular N + Liquid N, NH₃, Liquid N

TUBE SIZE:
Granular: 1-1/4" (32mm) O.D. **NH₃:** 1/2" (12mm)
Liquid: 1/4" (6mm) O.D. stainless steel

TIP OPTIONS: Any 200 Series Single Shoot Replaceable Tip, allowing you to choose the right tip for your conditions. **Tips sold separately.** See pages 12-13.

OVERVIEW: These fertilizer knives are narrow with additional hard-surfacing on critical wear areas to increase the life of the holder.

NOTES: **Installation bolts included.** Use 3/8" lock nut and 3/8" x 1-3/4" Grade 8 carriage bolts. See page 118. For an expanded view of these openers see page 132. If using shields, longer bolts are required, use 3/8" x 2".

FERTILIZER TYPE: Starter Fertilizer w/ Seed Only

TUBE SIZE: 1-1/4" (32mm) O.D.

OVERVIEW: The narrow design allows for more accurate seed placement behind the tip. Extra hard surfacing on critical wear areas increases the life of the holder.

NOTES: **Installation bolts included.** Use 3/8" lock nut and 3/8" x 1-1/2" Grade 8 carriage bolts. See page 118. 960-CRG-1505 & 907-NPF-3755

For guaranteed delivery of multi-shoot openers, place orders by January 31st.



All product and company names are trademarks™ or registered® trademarks of their respective holders. Use of them does not imply any affiliation with or endorsement by them. Seed Master Manufacturing and any other use and/or mentions of their name and/or product designations are the property and registered trademarks of Seed Master Manufacturing.

Why consider fall tillage?

It can improve your bottom line.

- Incorporates organic matter back into the soil, feeding soil microbes and improving soil health.
- Breaks up hard-pan to encourage strong root growth and allow spring snow melt to soak in.
- Suppresses stubborn weeds and reduces the possibility of chemical resistance.
- Aerates the soil, allowing oxygen and nutrients to flow through and feed microbes.
- Exposes black soil, warming soil quicker in the spring and promoting faster germination.
- Smooths uneven ground and wheel ruts while drying out wet fields.
- Saves time in the spring by applying fertilizer with fall tillage.

Check out our complete line of fall tillage products to fit most machine makes and models.

With the BTT Demo Program you can even try a few parts before you buy. See page 55 for details.



Blue Armour Sweeps
Page 84-90

MAX LIFE™ Harrow Tines
Page 98-101

Non-Freeze Fertilizer Knives
Page 71

Spikes
Page 87-92

Niaux 200 Disks
Page 102-108

Openers to Fit Morris

Morris Maxim Edge On, Contour I, Contour II & Quantum

680-ASY-1000
SHOWN WITH
200-TIP-0801



680-ASY-1000P
SHOWN WITH
200-TIP-0802



680-ASY-1000
680-HLD-1000

680-ASY-1000P
680-HLD-1000P

SINGLE SHOOT OPENER

FITS: Morris Maxim Edge On

FERTILIZER TYPE: Starter Fertilizer w/ Seed or Seed w/ Liquid Phos

TUBE SIZE:

Granular: 1-1/4" (32mm) O.D.

Liquid Phos: 3/16" (5mm) O.D. Can be converted to work with 1/4" (6mm) I.D. delivery hoses with 880-ASY-1010. See page 114.

TIP OPTIONS: Any 200 Series Single Shoot Replaceable Tip, allowing you to choose the right tip for your conditions.

Tips sold separately. See pages 12-13.

OVERVIEW: Liquid phos is delivered onto the seed bed, below the seed. Seed is delivered through the precision funnel opening. Front delivery provides precise seed delivery and reduces plugging with better soil flow. Extra hard surfacing on critical wear areas increases the life of the holder and reduces breakage in rocky conditions.

NOTES: **Installation bolts sold separately.** Use 3/8" x 2-1/4" Grade 8 carriage bolts. See page 116.

680-HLD-1000 and 680-HLD-1000P do not have bushings. For an expanded view of this opener see page 125.



***BUILD TO
ORDER**

683-ASY-1000P*



P

693-ASY-1000P



683-ASY-1000P^{1*}
683-KNH-1000¹

693-ASY-1000P^{2,3}
693-KNH-1000^{2,3}

SINGLE SHOOT OPENER

FITS: ¹Morris Contour I, ²Morris Contour II, ³Morris Quantum

FERTILIZER TYPE: Starter Fertilizer w/ Seed or Liquid Phos w/ Seed

TUBE SIZE:

Granular: 1-1/4" (32mm) O.D.

Liquid Phos: 3/16" (5mm) O.D. Can be converted to work with 1/4" (6mm) I.D. delivery hoses with 880-ASY-1010. See page 114.

TIP OPTIONS: Any 200 Series Single Shoot Replaceable Tip, allowing you to choose the right tip for your conditions.

Tips sold separately. See pages 12-13.

OVERVIEW: This single shoot opener applies liquid phos on top of the seed, the narrow design allows for more accurate seed placement behind the tip. Extra hard surfacing on critical wear areas increases the life of the holder.

683-KNH-1000 and 693-KNH-1000 are available without the liquid phos tubes.

NOTES: **Installation bolts sold separately.** Use 1/2" x 2" Grade 8 hex head bolts. See page 118.

For guaranteed delivery of multi-shoot openers, place orders by January 31st.

680-ASY-0711GP



680-ASY-0711LP



G

680-ASY-0711G
680-ASY-0712G

G P

680-ASY-0711GP
680-ASY-0712GP

L

680-ASY-0711L
680-ASY-0712L

L P

680-ASY-0711LP
680-ASY-0712LP

SIDE BAND OPENERS

FITS: Morris Maxim Edge On

SEED PLACEMENT: The seed is placed in a 3/4" (19mm) band onto a firm, unfractured seedbed. The GP and LP openers deliver the liquid phosphorus below the seed.

FERTILIZER PLACEMENT: Fertilizer is delivered in a band off to the side (right or left) on the same level as the seed. In less than ideal conditions, mixing between seed and fertilizer may occur. **See precautions and risk factors on page 18.**

TIP OPTIONS: Replaceable cast chrome tip (612-TIP-0711 & 612-TIP-0712) with carbide inserts on the nose and the wing for excellent penetration and wear resistance. Narrow carbide cutting edge on the wing for exceptional penetration. **Assemblies on this page include the tip.**

PACKER RECOMMENDATIONS:

2-1/4" (57mm) or wider.

OVERVIEW: Unique design of the tip provides low disturbance, low draft and smoother fields. Hard facing is placed on critical wear areas to ensure a long-lasting holder and proper seed placement.

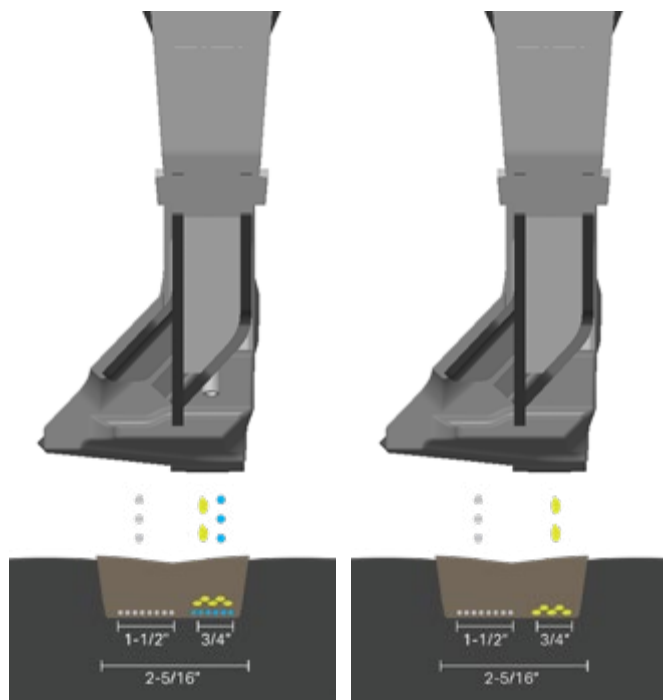
The streamlined holder design reduces plugging and allows for better trash clearance.

Designed for use with 1-1/4" (31mm) O.D. hose. Bushings available for larger hoses. See page 114.

NOTES: **Installation bolts sold separately.**

Use 3/8" x 2-1/4" Grade 8 carriage bolts. See page 116.

For an expanded view of these openers see page 128.



680-ASY-0711GP (SHOWN)
680-ASY-0711LP

680-ASY-0711G (SHOWN)
680-ASY-0711L

SEED FERTILIZER LIQUID PHOS REAR VIEW

Drawings for illustration purposes only. All measurements shown are approximate. Results may vary with multiple factors including soil conditions, ground speed, application rates, fan speeds, and more. In less than ideal conditions, mixing between seed and fertilizer may occur. See precautions and risk factors on page 18.

ALL WINGS ON SIDE BAND OPENERS MUST BE POINTING INWARD TO CENTER OF SEEDING UNIT to prevent plugging when turning. Customers should order half left wing and half right wing openers.

680-ASY-2711LP



683-ASY-2711G



G	G P	L	L P
680-ASY-2711G¹ 680-ASY-2712G¹	680-ASY-2711GP¹ 680-ASY-2712GP¹	680-ASY-2711L¹ 680-ASY-2712L¹	680-ASY-2711LP¹ 680-ASY-2712LP¹
683-ASY-2711G² 683-ASY-2712G²	683-ASY-2711GP² 683-ASY-2712GP²	683-ASY-2711L² 683-ASY-2712L²	683-ASY-2711LP² 683-ASY-2712LP²

SIDE BAND OPENERS

FITS: ¹Morris Maxim Edge On, ²Morris Contour I

SEED PLACEMENT: The seed is placed 3/4" (19mm) above and to the side of the fertilizer row, the tip's wing seals the fertilizer trench. The GP and LP openers deliver the liquid phos on top of the seed.

FERTILIZER PLACEMENT: Fertilizer is placed in the center, 3/4" (19mm) below the seed bed. In less than ideal conditions, mixing between seed and fertilizer may occur.

See precautions and risk factors on page 18.

TIP OPTIONS: Replaceable cast chrome tip with extra long carbide inserts on the nose for excellent penetration and wear resistance (614-TIP-2711 & 614-TIP-2712). Top face of wing is covered with two carbide inserts and heel of fertilizer trench has a u-shaped carbide wafer, providing a longer wear life. **Assemblies on this page include the tip.**

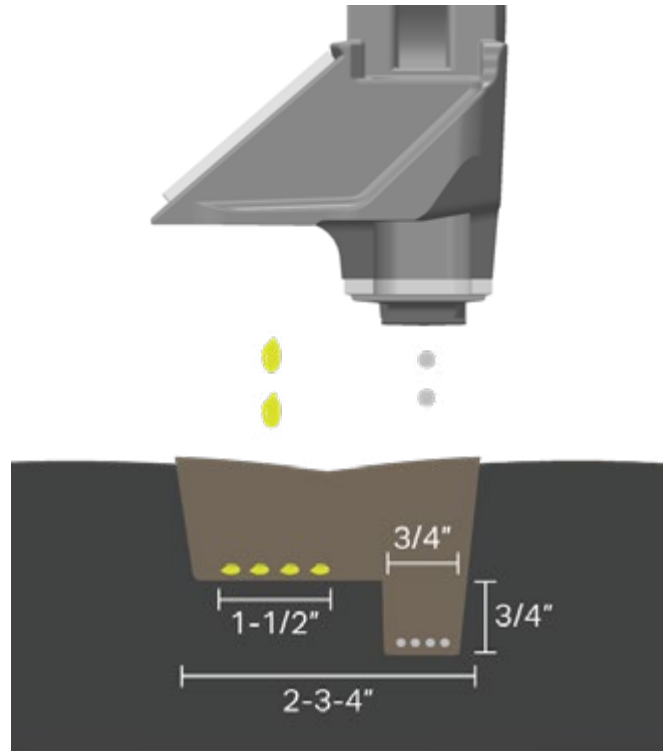
PACKER RECOMMENDATION: 3" (76mm) or wider. **V-Packer not recommended.**

OVERVIEW: Hard facing is placed on critical wear points to ensure a long-lasting holder and proper seed placement. The streamlined holder design reduces plugging and allows for better trash clearance. Designed for use with 1-1/4" (31mm) O.D. hose. Bushings available for larger hoses. See page 114.

NOTES: **Installation bolts sold separately.**

680 openers use 3/8" x 2-1/4" Grade 8 carriage bolts. See page 116. **683 openers** use 1/2" x 2" Grade 8 hex head bolts. See page 118.

For an expanded view of these openers see page 129.



SEED FERTILIZER REAR VIEW

Drawings for illustration purposes only. All measurements shown are approximate. Results may vary with multiple factors including soil conditions, ground speed, application rates, fan speeds, and more. In less than ideal conditions, mixing between seed and fertilizer may occur. See precautions and risk factors on page 18.

ALL WINGS ON SIDE BAND OPENERS MUST BE POINTING INWARD TO CENTER OF SEEDING UNIT to prevent plugging when turning. Customers should order half left wing and half right wing openers.

693-HLD-2080
SHOWN WITH
610-TIP-4081



693-HLD-2080

VOS (VERSATILE OPENER SYSTEM)

FITS: Morris Contour II, Morris Quantum

FERTILIZER TYPE: Multiple options. See pages 58-59.

OVERVIEW: This holder is part of the VOS (Versatile Opener System) which gives you the flexibility to choose the right tip and fertilizer tubes for your needs.

Components sold separately. See pages 58-59.

NOTES: **Installation bolts sold separately.**
Use 1/2" x 2" Grade 8 hex head bolts. See page 118.

682-ASY-2063



682-ASY-2063 682-ASY-2064

SIDE BAND OPENER

FITS: Morris Maxim Edge On

FERTILIZER TYPE: Double Shoot Liquid N. **For pressurized NH3 please see your pressurized system dealer for more information on tube sizing and inserts.**

SEED PLACEMENT: The slim body provides a low draft and low soil disturbance for better trash clearance, while ensuring great seed placement. The seed is placed in a 3/4" (19mm) band onto a firm, unfractured seedbed.

FERTILIZER PLACEMENT: Liquid N or Pressurized NH3 openers are fitted with a 1/4" (6mm) O.D. stainless steel tube which places fertilizer behind the wing and 1-1/2" (38mm) outward to the side away from the seed band. This provides increased separation of seed and fertilizer. In less than ideal conditions, mixing between seed and fertilizer may occur. **See precautions and risk factors on page 18.**

TIP OPTIONS: Cast chrome tip with extra long carbide inserts on the nose provides excellent penetration and wear resistance. Top face of the wing is covered with two carbide inserts providing a longer wear life. The tip is non-replaceable and welded to the seed boot.

PACKER RECOMMENDATIONS: 2-1/4" (57mm) or wider.

LIQUID PHOS OPTIONS: This opener delivers liquid phos on top of the seed row. A 1/4" (6mm) stainless steel tube is welded to the back of the seed boot.

NOTES: **Installation bolts sold separately.**
680-ACC-0001 is required for Concord Edge-On shanks & is sold separately.

Use 3/8" x 2-1/4" Grade 8 carriage bolts. See page 116.

For an expanded view of these openers see page 126.

Interested in BTT Products?

Try before you buy with
the BTT Demo Program.
See page 55.

ALL WINGS ON SIDE BAND OPENERS MUST BE POINTING INWARD TO CENTER OF SEEDING UNIT to prevent plugging when turning. Customers should order half left wing and half right wing openers.

G
*BUILD TO
ORDER



G



683-ASY-4020G¹*

693-ASY-4020G²

PAIRED ROW OPENERS

FITS: ¹Morris Contour I, ²Morris Contour II & Morris Quantum

SEED PLACEMENT: Seed is directed rearward through the tip which places the seed in two rows onto a firm, unfractured seedbed.

FERTILIZER PLACEMENT: Fertilizer is delivered on the same level, between the rows of seed. In less than ideal conditions, mixing between seed and fertilizer may occur.

See precautions and risk factors on page 18.

TIP OPTIONS: Replaceable cast chrome tip (610-TIP-4041) with carbide inserts on the nose and narrow carbide on the cutting edges of the wings for great penetration.

Assemblies on this page include the tip.

PACKER RECOMMENDATION:

4" (102mm) or wider.

OVERVIEW: Ultra-low draft, low disturbance and smoother fields. Hard facing is placed on critical wear points to ensure a long-lasting holder.

The streamlined holder design reduces plugging and allows for better trash clearance.

Designed for use with 1-1/4" (32mm) O.D. hose. Bushings available for larger hoses. See page 114.

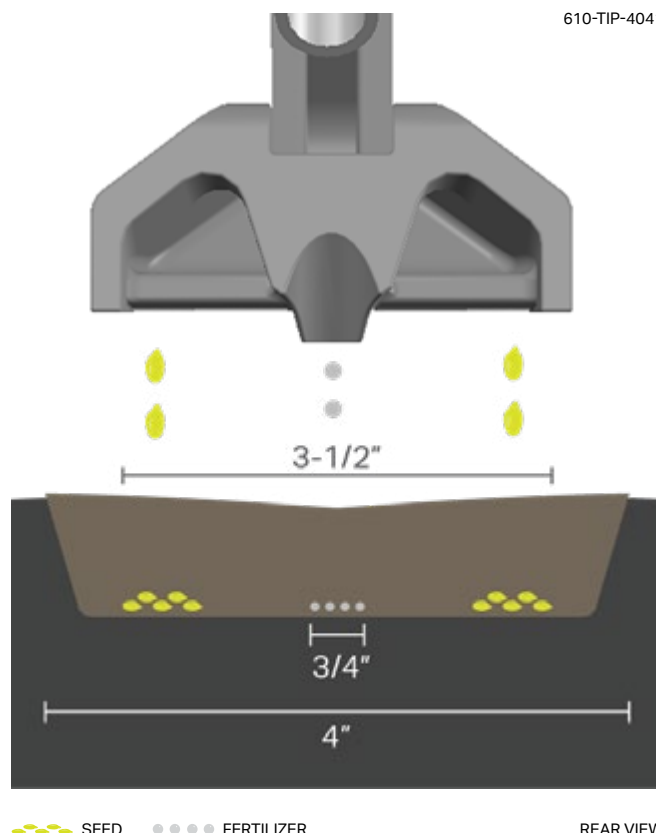
These openers provide the flexibility to easily switch between Granular and Liquid fertilizer. The above openers are available with liquid phos options. Please call the factory for more information.

NOTES: **Installation bolts sold separately.**

Use 1/2" x 2" Grade 8 hex head bolts. See page 118.

For an expanded view of these openers see page 127.

610-TIP-4041



SEED FERTILIZER

REAR VIEW

Drawings for illustration purposes only. All measurements shown are approximate. Results may vary with multiple factors including soil conditions, ground speed, application rates, fan speeds, and more. In less than ideal conditions, mixing between seed and fertilizer may occur. See precautions and risk factors on page 18.

Fertilizer Knives to Fit Salford

Salford Independent Series

FERTILIZER TYPES: Granular N, NH₃, Liquid N, Granular N + NH₃, Granular N + Liquid N

TUBE SIZE:

Granular: 1-1/2" (38mm) O.D.

NH₃: 1/2" (12mm) O.D.

Liquid: 1/4" (6mm) O.D. stainless steel

Non-Freeze NH₃: 1/2" (12mm) O.D.

TIP OPTIONS:

3/4" (19mm) tips:

- 600-TIP-7500
- 600-TIP-7501
- 600-TIP-7502

Tips sold separately. See page 17.

OVERVIEW: Fits 84° shanks. Body and fertilizer tubes are narrow with additional hard-surfacing on critical wear areas to increase the life of the holder. This opener features adjustment holes that allow you to adjust the height of the opener by 1.375" (35mm).

NON-FREEZE VERSION: NH₃ is delivered through a nylon insert, insulating the NH₃ from the knife. This prevents the moist soil from freezing and building up on the knife, keeping it narrow to reduce disturbance with minimal gassing off. Designed to work with Cold Flow NH₃ units.

G

670-HLD-1000G
SHOWN WITH
600-TIP-7501



670-HLD-1000

N

670-HLD-1000HG

L

670-HLD-1000L

G

L

670-HLD-1000GL

N

670-ASY-7523
SHOWN WITH
600-TIP-7502



N

670-HLD-1000N

G

N

670-HLD-1000GN

Openers to Fit Seed Master

Fertilizer Knives & Single Shoot Seed Openers



689-HLD-1000G
689-HLD-1000GL

689-HLD-1000GN*
689-HLD-1000L

689-HLD-1000N

689-KNF-1000

FERTILIZER KNIVES

SINGLE SHOOT SEED OPENER

FERTILIZER TYPES: Granular N, Granular N + NH₃, Granular N + Liquid N, NH₃, Liquid N

TUBE SIZE:

Granular: 1-1/4" (32mm) O.D.

NH₃: 1/2" (12mm)

Liquid: 1/4" (6mm) O.D. stainless steel

TIP OPTIONS: Any 200 Series Single Shoot Replaceable Tip, allowing you to choose the right tip for your conditions. **Tips sold separately.** See pages 12-13.

OVERVIEW: These fertilizer knives are narrow with additional hard-surfacing on critical wear areas to increase the life of the holder.

NOTES: **Installation bolts included.** Use 3/8" lock nut and 3/8" x 1-3/4" Grade 8 carriage bolts. See page 118. For an expanded view of these openers see page 132. If using shields, longer bolts are required, use 3/8" x 2".

FERTILIZER TYPE: Starter Fertilizer w/ Seed Only

TUBE SIZE: 1-1/4" (32mm) O.D.

OVERVIEW: The narrow design allows for more accurate seed placement behind the tip. Extra hard surfacing on critical wear areas increases the life of the holder.

NOTES: **Installation bolts included.** Use 3/8" lock nut and 3/8" x 1-1/2" Grade 8 carriage bolts. (960-CRG-1505 & 907-NPF-3755) See page 118.

For guaranteed delivery of multi-shoot openers, place orders by January 31st.

Fertilizer Knives to Fit Väderstad Seed Hawk

Granular N, Liquid N, NH₃, Granular + Liquid N, Granular + NH₃

FERTILIZER TYPES:

Granular N, Granular + Liquid N,
Granular + NH₃, Liquid N, NH₃

TUBE SIZE:

Granular: 1-1/4" (32mm) O.D.

NH₃: 1/2" (12mm) O.D.

Liquid: 1/4" (6mm) O.D.

TIP OPTIONS: N/A

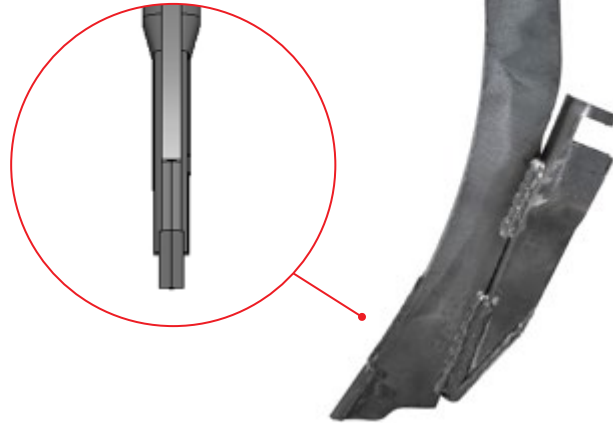
OVERVIEW: Dual carbide insert on the nose to fracture the ground.

Body and fertilizer tubes are narrow with additional hard-surfacing on critical wear areas to increase the life of the holder.

NOTES: Installation bolts sold separately. Use 7/16" x 1-3/4" Grade 8 carriage bolts. See page 118.



1/2" WIDE
686-KNH-5020G



1/2" WIDE
686-KNH-5020GL

***BUILD TO ORDER**



1/2" WIDE
686-KNH-5020L

***BUILD TO ORDER**



1/2" WIDE
686-KNH-5020N

***BUILD TO ORDER**



1/2" WIDE
686-KNH-5020GN

***BUILD TO ORDER**



All product and company names are trademarks™ or registered® trademarks of their respective holders. Use of them does not imply any affiliation with or endorsement by them. Väderstad Seed Hawk and any other use and/or mentions of their name and/or product designations are the property and registered trademarks of Väderstad Seed Hawk.



G
686-HLD-1020G*
SHOWN WITH
200-TIP-0802

G L
686-HLD-1010GL*

L
686-HLD-1020L*

N
686-HLD-1020N*

G N
686-HLD-1010GN*

FERTILIZER TYPES:

Granular N, Granular + Liquid N,
Granular + NH₃, Liquid N, NH₃

TUBE SIZE:

Granular: 1-1/4" (32mm) O.D.

NH₃: 1/2" (12mm) O.D.

Liquid: 1/4" (6mm) O.D.

TIP OPTIONS:

- 200-TIP-0511
- 200-TIP-0801
- 200-TIP-0802
- 200-TIP-0803
- 200-TIP-0811

Tips sold separately. See page 12.

OVERVIEW: Body and fertilizer tubes are narrow with additional hard-surfacing on critical wear areas to increase the life of the holder.

686-HLD-1010 holders will apply Granular + Liquid N or NH₃.

NOTES: **Installation bolts sold separately.** Use 7/16" x 1-3/4" Grade 8 carriage bolts. See page 118.

For an expanded view of these openers see page 133.

For guaranteed delivery of multi-shoot openers, place orders by January 31st.



I've been running BTT parts for over 18 years. I currently run an 80' Vaderstad Seedhawk, but have used their parts on other drills in the past as well. The parts are phenomenal and are built to last. Competitor parts I've tried in the past have worn too quickly. Their service can't be beat, 11 on a scale from 1-10! Being in a tough clay soil type creates a problem from the start. I received follow up calls numerous times to ensure I was happy with how my openers were performing. The reps and service & warranty manager are the reason I won't buy anything other than BTT parts. Price doesn't matter. Their service is worth it.

Danton Soloducha, Indian Head, Saskatchewan, Canada



Seed Openers to Fit Väderstad Seed Hawk

Single Shoot & Paired Row Options

1/2" WIDE
686-KNH-5010



P
1/2" WIDE
686-KNH-5010P

P
686-KNH-1001
SHOWN WITH
200-TIP-0802

***BUILT TO ORDER**



686-ASY-3011



P
686-ASY-3011P

686-KNH-5010
686-KNH-5010P

1/2" WIDE SINGLE SHOOT OPENER

FITS: Väderstad Seed Hawk

FERTILIZER TYPE: Starter Fertilizer w/ Seed Only + Liquid Phos

TUBE SIZE:

Granular: 1-1/4" (32mm) O.D.

Liquid Phos: 3/16" (5mm) O.D.

This can be converted to work with 1/4" (6mm) I.D. delivery hoses with 880-ASY-1010. See page 114.

TIP OPTIONS: N/A

OVERVIEW: This 1/2" opener directs seed downward through the holder, placing the seed in a single row onto a firm, unfractured seed bed. Extra hard surfacing on critical wear areas increases the life of the holder.

686-KNH-5010 is available without the liquid phos tube.

686-KNH-5010P is the liquid phos opener.

NOTES: Installation bolts sold separately. Use 3/8" x 1-3/4" Grade 8 hex head bolts. See page 118.

686-KNH-1001*
686-KNH-1001P*

SINGLE SHOOT OPENER

FITS: Väderstad Seed Hawk

FERTILIZER TYPE: Starter Fertilizer w/ Seed Only + Liquid Phos or just Liquid Phos

TUBE SIZE:

Seed Tube: 1-1/4" (32mm) O.D.

Liquid Phos: 3/16" (5mm) O.D.

This can be converted to work with 1/4" (6mm) I.D. delivery hoses with 880-ASY-1010. See page 114.

TIP OPTIONS: Any 200 Series Single Shoot Replaceable Tip, allowing you to choose the right tip for your conditions. **Tips sold separately.** See pages 12-13.

OVERVIEW: The seed shank is offset to the fertilizer shank.

686-KNH-1001 is available without the liquid phos tube. **686-KNH-1001P** is a single shoot opener that applies liquid phos on top of the seed. The narrow design allows for more accurate seed placement behind the tip.

NOTES: Installation bolts sold separately. Use 3/8" x 1-3/4" Grade 8 hex head bolts. See page 118.

For an expanded view of this opener see page 133.

686-ASY-3011
686-ASY-3011P

PAIRED ROW OPENER

FITS: Väderstad Seed Hawk

FERTILIZER TYPE: Starter Fertilizer w/ Seed Only + Liquid Phos

TUBE SIZE:

Granular: 1-1/4" (32mm) O.D.

Liquid Phos: 3/16" (5mm) O.D.

This can be converted to work with 1/4" (6mm) I.D. delivery hoses with 880-ASY-1010. See page 114.

TIP OPTIONS: 3" (76mm) cast chrome tip (200-TIP-3011) with carbide insert on the nose to fracture the ground. Carbide inserts on the underside of the wings maintain a sharp cutting edge.

Assembly includes the tip.

OVERVIEW: The seed is directed rearward through the holder which places the seed in two rows onto a firm, unfractured seed bed. Extra hard surfacing on critical wear areas increases the life of the holder.

686-ASY-3011P is the liquid phos opener.

NOTES: Installation bolts sold separately. Use 3/8" x 1-3/4" Grade 8 hex head bolts. See page 118. *Will not fit older Seed Hawk drills.

For an expanded view of this opener see page 133.

For guaranteed delivery of multi-shoot openers, place orders by January 31st.

**TRY BEFORE
YOU BUY!**

BTT DEMO PROGRAM

Through the BTT Demo Program, we offer you the opportunity to try a few of our parts and compare how they perform against products you're currently using.

**No pressure.
No obligation to buy.**

Talk to a BTT dealer or contact our team at 1.800.878.7714 or info@tillage tools.ca



**MAX LIFE™
Harrow Tines**



**Seed Openers
Fertilizer Knives**



**Replaceable
Tips**



**Speed-Loc™
Adapters**



**RBE Tillage
Tools**



Seed Boots



**MAX LIFE™
Scrapers**



**Specialty
Parts**



Titan Opener System

This system provides both horizontal and vertical separation between seed and fertilizer.

1 CHOOSE YOUR HOLDER



See picture of assembly on page 25.

620-HLD-5000

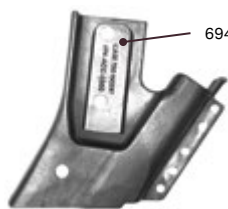
FITS: 47° and 50° C-shank
Installation bolts and nuts included.



See picture of assembly on page 38.

688-HLD-5000

FITS: Horsch 84° shank. See note on page 130.
Installation bolts and nuts included.



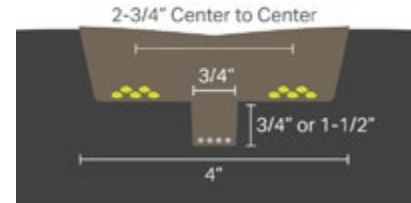
694-ACC-1000

See picture of assembly on page 35.

694-HLD-5000

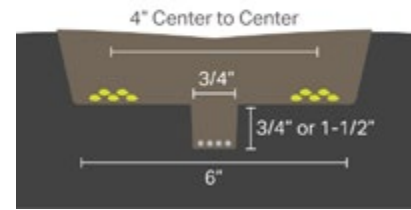
FITS: Case IH ATX 700, NH P2060, Flexi-Coil 5500 & Concord Edge On (84° shanks only). When installing on units other than Concord, insert **694-ACC-1000** is needed. See page 114. Installation bolts and nuts included.

2 CHOOSE YOUR SEED SHOE



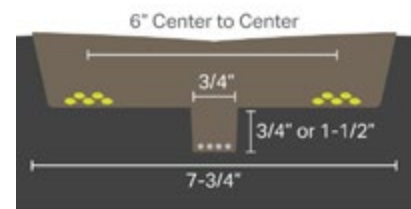
620-SSH-1000

4" outside to outside (2-3/4" center to center) seed spread is placed above the center placed fertilizer trench.



620-SSH-4000

6" outside to outside (4" center to center) seed spread is placed above the center placed fertilizer trench.



620-SSH-6000

7-3/4" outside to outside (6" center to center) seed spread is placed above the center placed fertilizer trench.

Use bolt and nut combo 620-BNC-3100 to install shoes to holder. For a more detailed view of these components see pages 134-135.



Before using BTT openers, we were running an OEM opener and having issues with excessive component wear and breakage. We switched to the Titan Series Openers and have changed one assembly in about 7,000 acres. Which is remarkable in itself, but honestly, we could hardly see a difference in wear from new to old. Great product! Well worth the investment.

Trevor Smith, Washington, USA

3 CHOOSE YOUR TIP



620-TIP-0510

Standard tip for **620, 688 & 694** holders. Carbide inserts are placed on the nose. Hard facing is placed on critical wear points for extended life of the tip.

NOTES: Use bolt and nut combo 200-BNC-3100 to install tips. Use bolt and nut combo 620-BNC-3100 (5/16" x 1-1/2") to install shoe to holder.



620-TIP-1510

Full cast version of 620-TIP-0510 for use with **620, 688 & 694** holders. This tip is longer lasting with superior soil flow around the tip when compared to the welded 620-TIP-0510 tip. Carbide inserts are placed on the nose. Hard facing is placed on critical wear points for extended life of the tip.

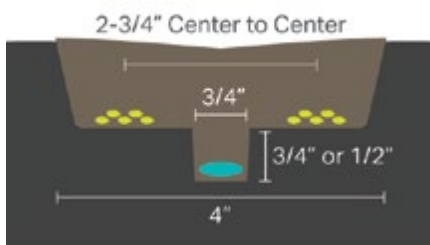
NOTES: Use bolt and nut combo 200-BNC-3100 to install tips. Use bolt and nut combo 620-BNC-3100 (5/16" x 1-1/2") to install shoe to holder.



620-TIP-4060

Triple shoot unibody tip and seed shoe. Extra-long carbide inserts placed on the nose of the tip. The nose carbides have a continuous roofed profile, producing exceptional soil flow with minimal disturbance. The seed is placed in a distinct paired row, 2-3/4" center to center. The seed is deposited prior to the Aqua NH3 + Liquid Phos being placed 3/4" deeper, between the seed rows. The tip helps prevent skewing on hill sides. The shoe portion is 4" wide, with carbide fully covering the leading edges.

NOTES: This tip replaces the standard tip, seed shoe, fertilizer tube combinations, and is to be used with **620, 688 & 694** holders. Use bolt and nut combo 200-BNC-3100 to install tips.



SEED FERTILIZER

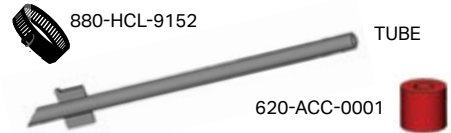
Drawings for illustration purposes only. All measurements shown are approximate. Results may vary with multiple factors including soil conditions, ground speed, application rates, fan speeds, and more. In less than ideal conditions, mixing between seed and fertilizer may occur. See precautions and risk factors on page 18.

4 CHOOSE YOUR FERTILIZER

620-TUB-1021*

N

1/2" (12mm) O.D. NH3 tube for **620, 688 & 694** series holders.



620-TUB-1070

N P

1/4" (6mm) O.D. Aqua NH3 + Phos tube for **620, 688 & 694** series holders.



620-TUB-4000

N L

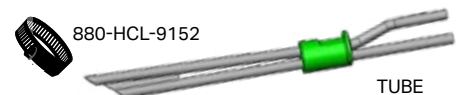
0.4" O.D. Stainless Steel Liquid or NH3 tube for **620, 688 & 694** series holders.



620-TUB-4040

N P

0.4" O.D. Stainless Steel Aqua NH3 + Phos tube for **620, 688 & 694** series holders.



NOTES: The tube assemblies include all accessories shown.

*For pressurized NH3 Systems (including MaxQuip) you will be given the standard NH3 tube and then must consult with your pressurized system dealer for tubing inserts.

VOS

Choose the holder, tip, and fertilizer suitable for your situation and soil type.

1 CHOOSE YOUR HOLDER



See picture of assembly on page 25.

610-HLD-2080HD

FITS: 47° and 50° C-shank
When installing on a 50° shank other than Bourgault or Ezee-On use wedge 880-WDG-0300 or 880-WDG-0301. See page 114.



See picture of assembly on page 39.

688-HLD-2080

FITS: Horsch 84° shank, ST and CO. Use the bottom two holes when installing this holder for standard installation. To add 4° more pitch, use the top two holes on the holder.



See picture of assembly on page 48.

693-HLD-2080

FITS: Morris Contour II & Morris Quantum

2 CHOOSE YOUR TIP



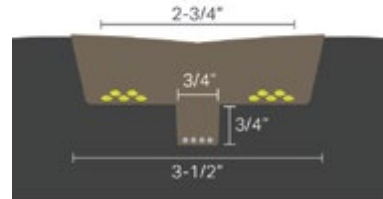
610-TIP-0802

SINGLE SHOOT TIP

3/4" (19mm) long-wearing single shoot tip with long carbide insert on the nose for highly abrasive conditions.

FERTILIZER OPTIONS: Used for seeding only.

PACKER RECOMMENDATION: 3/4" (19mm) or wider.



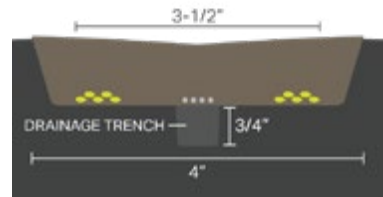
610-TIP-3581

PAIRED ROW TIP

3-1/2" (89mm) cast chrome paired row tip with 3/4" (19mm) vertical seed/fertilizer separation. Carbide insert on the nose for excellent penetration and wear resistance. Carbide inserts on the underside of the wing maintain a sharp cutting edge and provide extra-wear life. Carbide inserts at the back of the underside of the wings seals up fertilizer trench prior to seed placement.

FERTILIZER OPTIONS: Granular, Liquid, Aqua NH₃ or Aqua NH₃ + Phos

PACKER RECOMMENDATION: 3" (76mm) or wider.



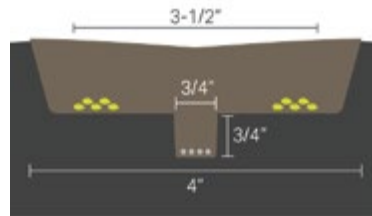
610-TIP-4035

PAIRED ROW TIP

4" (102mm) paired row cast tip with carbide insert on the nose for excellent penetration and wear resistance. These tips have a 3/4" (19mm) vertical drainage trench. Carbide inserts on the underside of the wing to maintain a sharp cutting edge. This paired row liquid or granular double shoot tip has no vertical seed/fertilizer separation.

FERTILIZER OPTIONS: Granular or Liquid

PACKER RECOMMENDATION: 4" (102mm) or wider.



610-TIP-4081 / 4082 / 4085

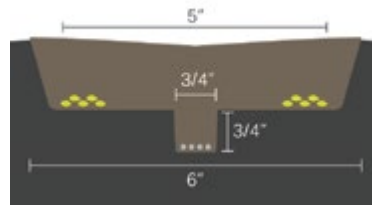
PAIRED ROW TIP

4" (102mm) paired row tip with 3/4" (19mm) vertical seed/fertilizer separation. Extra long nose carbide, narrow carbide on the cutting edges of the wings and under the wing to seal the fertilizer trench, and firm up the seed bed prior to seed placement. **610-TIP-4082** has additional carbide along the sides of the fertilizer trench to provide extra wear life. **Not recommended for use on Case IH 800 / 900 or NH P2070.**

610-TIP-4085 for Europe only.

FERTILIZER OPTIONS: Granular, Liquid, Aqua NH₃ or Aqua NH₃ + Phos

PACKER RECOMMENDATION: 4" (102mm) or wider.



610-TIP-6082

PAIRED ROW TIP

OVERVIEW: 6" (152mm) paired row cast tip with 3/4" (19mm) vertical seed/fertilizer separation. Carbide insert on the nose for excellent penetration and wear resistance. Carbide inserts on the underside of the wing maintain a sharp cutting edge and provide extra-wear life. Carbide inserts at the back of the underside of the wings seals up fertilizer trench prior to seed placement.

FERTILIZER OPTIONS: Granular, Liquid, Aqua NH₃ or Aqua NH₃ + Phos

PACKER RECOMMENDATION: 5-1/2" (140mm) or wider.

SEED ●●●● FERTILIZER

Drawings for illustration purposes only. All measurements shown are approximate. Results may vary with multiple factors including soil conditions, ground speed, application rates, fan speeds, and more. In less than ideal conditions, mixing between seed and fertilizer may occur. See precautions and risk factors on page 18.

3 CHOOSE YOUR FERTILIZER

880-TUB-1003¹
880-TUB-1004²

L

LIQUID 1/4" (6mm) O.D.
stainless tube



880-BSH-1000

880-TUB-1009¹
880-TUB-1010²

N L

LIQUID OR AQUA NH₃ 0.40" (10mm)
O.D. stainless tube



880-BSH-1000

880-TUB-1011¹
880-TUB-1012²

N P

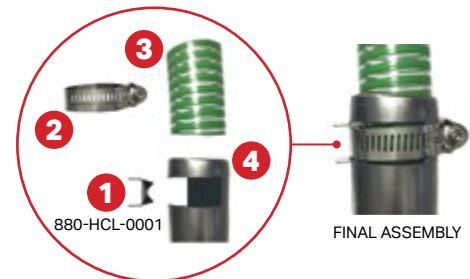
AQUA NH₃ + PHOS 1/4" (6mm) O.D.
stainless tube



880-BSH-1003

NOTES: All tubes come with bushings as pictured above. ¹880-TUB-1003, 1009 & 1011 are for everything other than C-shank. ²880-TUB-1004, 1010 & 1012 are for C-shank openers, and are 1" longer. Call the factory for more details.

PROPER INSTALLATION:



FINAL ASSEMBLY



We'd been min-tilling OSR ground and found that producing satisfactory seedbeds that would allow for the timely and reliable establishment of the crop without them drying out and losing moisture was becoming more and more difficult to achieve. I'd looked at a number of competing drill coulters but was always drawn back to the level of low disturbance of the VOS. We spent a few hours with Stuart discussing how the coulters would work and the types of soil conditions we'd expect to be working in, and we finally concluded the VOS would suit our needs. We have to date achieved an acreage of 4,655 and believe we will successfully break the 5,000 acre barrier.

James Mayes, Bentfield Bury Farms (Sentry Ltd), UK

Seeding Openers to Fit *Speed-Loc™*

Single Shoot & Side Band Options



200-HOE-1700

SINGLE SHOOT OPENER

FITS: 200 Series *Speed-Loc™*

FERTILIZER TYPE: N/A

TUBE SIZE: N/A

TIP OPTIONS: Long-wearing welded high-chrome tip.

INSTALLATION DRIVER:
100-DRV-1020

OVERVIEW: This opener runs through the ground at a fairly vertical angle to provide less rock pulling. Provides 1-1/2" to 1-3/4" (38–44mm) seed spread.

Works best with the 1" (25mm) single tube seed boot.
See pages 64-65.



200-KNF-0810 200-KNF-0811

SINGLE SHOOT OPENER

FITS: 200 Series *Speed-Loc™*

FERTILIZER TYPE: N/A

TUBE SIZE: N/A

TIP OPTIONS:
3/4" (19mm) weld-on tips:
• 200-KNF-0810 (without carbide)
• 200-KNF-0811 (with carbide)

INSTALLATION DRIVER:
400-DRV-1010

OVERVIEW: Low disturbance, low draft opener provides easy pulling.

Works with 300-ATM-1035 of the Seed Boot System.
See pages 64-65.



200-KNF-0813

SINGLE SHOOT OPENER

FITS: 200 Series *Speed-Loc™*

FERTILIZER TYPE: N/A

TUBE SIZE: N/A

TIP OPTIONS: 3/4" (19mm) weld-on tip with extra-long nose carbide for longer wear life.

INSTALLATION DRIVER:
400-DRV-1010

OVERVIEW: The more vertical approach of this opener reduces rock pulling.

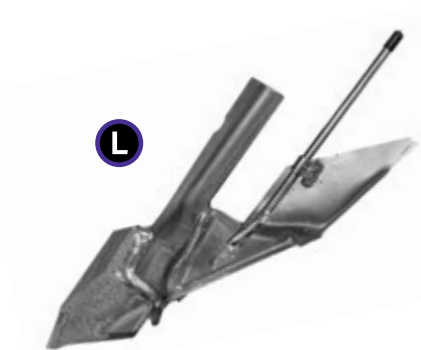
Works with 300-ATM-1035 of the Seed Boot System.
See pages 64-65.



To ensure proper installation of **Speed-Loc™** products, use the appropriate driver listed with each product. For a chart of all drivers see page 80.



The Speed Release Tool 200-REL-1010 must be used when removing openers, sweeps and spikes from *Speed-Loc™* Adapters. See page 80.

**200-KNF-0863**

SIDE BAND OPENER

FITS: 200 Series *Speed-Loc*™**FERTILIZER TYPE:** Liquid N**TUBE SIZE:** 1/4" (6mm) O.D.

TIP OPTIONS: The welded high-chrome tip is protected with a carbide insert on the nose and a solid carbide wing. The carbide placement provides sharp cutting edges for excellent penetration.

INSTALLATION DRIVER:
100-DRV-1010

OVERVIEW: This is the only multi-shoot opener available for use with the *Speed-Loc* system. It provides all of the benefits of the *Speed-Loc* system with the seed placement you trust.

This unique side band opener provides good horizontal separation with a slight vertical seed/fertilizer separation.

These openers work very well when used with a pressurized liquid system.

**200-KNF-7501**

SINGLE SHOOT OPENER

FITS: 200 Series *Speed-Loc*™**FERTILIZER TYPE:** N/A**TUBE SIZE:** N/A

TIP OPTIONS: The high-chrome welded tip has a carbide insert on the nose for a sharp cutting edge and extra wear life.

INSTALLATION DRIVER:
100-DRV-1010

OVERVIEW: Designed for use with the Technotill System.

**200-KNF-7511**

SINGLE SHOOT OPENER

FITS: 200 Series *Speed-Loc*™**FERTILIZER TYPE:** Seed with Granular starter**TUBE SIZE:** N/A

TIP OPTIONS: 3/4" (19mm) weld-on tip with carbide for longer wear life.

INSTALLATION DRIVER:
100-DRV-1010

OVERVIEW: Precise seed placement due to the funnel being close to the tip and to the bottom of the furrow. The funnel is reinforced with hard surfacing for longer wear life.

Works with the square tube seed boot of the Seed Boot System.

It also fits the Bourgault or Flexi-Coil square tube seed boot. See pages 64-65.

Interested in BTT Products?

Try before you buy with
the BTT Demo Program.
See page 55.



200-KNH-4000

SINGLE SHOOT OPENER

FITS: 200 Series *Speed-Loc™*

FERTILIZER TYPE: N/A

TUBE SIZE: N/A

TIP OPTIONS: Any 200 Series Single Shoot Replaceable Tip, allowing you to choose the right tip for your conditions. **Tips sold separately.** See pages 12-13.

INSTALLATION DRIVER:

Depends on tip used. See page 80.

OVERVIEW: Works with knife attachment 300-ATM-1035 of the Seed Boot System.

See pages 64-65.



200-KNH-4010

SINGLE SHOOT OPENER

FITS: 200 Series *Speed-Loc™*

FERTILIZER TYPE: N/A

TUBE SIZE: N/A

TIP OPTIONS: Any 200 Series Single Shoot Replaceable Tip, allowing you to choose the right tip for your conditions. **Tips sold separately.** See pages 12-13.

INSTALLATION DRIVER:

Depends on tip used. See page 80.

OVERVIEW: This funnel is reinforced with hard surfacing for longer wear life.

Works with the square tube seed boots of the Seed Boot System. It also fits the Bourgault or Flexi-Coil square tube seed boot. See pages 64-65.



410-KNF-0801

SINGLE SHOOT OPENER

FITS: 410 Series *Speed-Loc™*

FERTILIZER TYPE: N/A

TUBE SIZE: N/A

TIP OPTIONS: 3/4" (19mm) weld-on tip with carbide.

INSTALLATION DRIVER:

400-DRV-1010

OVERVIEW: Low disturbance, low draft opener provides easy pulling.

Works with knife attachment 300-ATM-1031 of the Seed Boot System.

See pages 64-65.



We use the *Speed-Loc™* Quick Change System on our deep tillage equipment. Very handy and don't have to worry about losing any shovels. All we use is Bourgault Tillage Tools. The openers on our 8810 have hardly had any wear in the 1,500 acres we did and will be able to use them for next season too. Tough, rugged and reliable!

Trevor Nolan, Manitoba, Canada



200-VRT-1040

SINGLE SHOOT OPENER

FITS: 200 Series
Speed-Loc™

FERTILIZER TYPE:
Granular

TUBE SIZE: 1-1/4"
(32mm) O.D.

TIP OPTIONS: 1" (25mm)
weld-on tip with nose
carbide for long-lasting
wear life and excellent
penetration.

INSTALLATION DRIVER:
200-DRV-1030

OVERVIEW: The vertical
approach of this opener
reduces rock pulling and
soil throw.


BLUE ARMOUR
200-SPN-0200



200-SPN-0200 200-SPN-0208

SINGLE SHOOT OPENER

FITS: 200 Series
Speed-Loc™

FERTILIZER TYPE: N/A

TUBE SIZE: N/A

TIP OPTIONS: N/A

INSTALLATION DRIVER:
400-DRV-1000

OVERVIEW: These
spoons have a 2" (51mm)
spread.

200-SPN-0200 has 1/4"
(6mm) material.

200-SPN-0208 has 5/16"
(8mm) material for
increased wear life.


BLUE ARMOUR
200-SPN-0308



200-SPN-0300 200-SPN-0308

SINGLE SHOOT OPENER

FITS: 200 Series
Speed-Loc™

FERTILIZER TYPE: N/A

TUBE SIZE: N/A

TIP OPTIONS: N/A

INSTALLATION DRIVER:
400-DRV-1000

OVERVIEW: 3" (76mm)
spread.

200-SPN-0300 has 1/4"
(6mm) material.

200-SPN-0308 has 5/16"
(8mm) material for
increased wear life.


BLUE ARMOUR
410-SPN-0300



410-SPN-0300 410-SPN-0308

SINGLE SHOOT OPENER

FITS: 410 Series
Speed-Loc™

FERTILIZER TYPE: N/A

TUBE SIZE: N/A

TIP OPTIONS: N/A

INSTALLATION DRIVER:
400-DRV-1000

OVERVIEW: 3" (76mm)
spread.

410-SPN-0300 has 1/4"
(6mm) material.

410-SPN-0308 has
5/16" (8mm) material for
increased wear life.

For guaranteed delivery of multi-shoot openers, place orders by January 31st.



To ensure proper installation of *Speed-Loc™* products, use the appropriate driver listed with each product. For a chart of all drivers see page 80.



The Speed Release Tool 200-REL-1010 must be used when removing openers, sweeps and spikes from *Speed-Loc™* Adapters. See page 80.

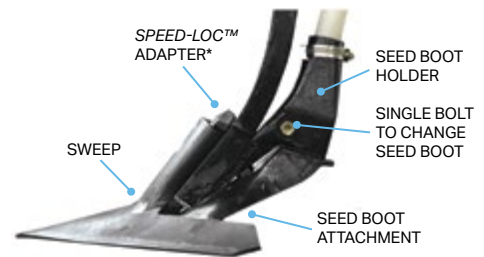
Quick Change Seed Boot System

Match seed spread to opener width.

The quick-change seed boot system consists of two parts: the seed boot holder, which bolts onto the back of the shank, and the seed boot attachment, which fits into the holder. A nut and bolt secure the attachment.

There are seven different interchangeable attachments to choose from, each giving a different seed spread pattern. This system allows you to match your seed spread to the width of the opener you are using.

It is perfect for producers who want to switch back and forth from a wide seed spread behind a sweep to a narrow seed band behind a knife.



SEED BOOT HOLDER



300-HLD-4700

FITS: Bourgault & Ezee-On 47° shanks

OVERVIEW: 1-3/4" (45mm) bolt hole spacing. The bolt hole section is designed flat.

NOTES: Use a hose clamp to secure the air hose into the seed boot holder.



300-HLD-4710

FITS: 47° shanks except the Bourgault & Ezee-On

OVERVIEW: 1-3/4" (45mm) bolt hole spacing. The bolt hole section is curved.

NOTES: Use self tapping screw (911-SCR-1051) to secure the air hose into the seed boot holder.



300-HLD-5000

FITS: Bourgault chisel plow shanks, Morris LH755 shank on the Magnum III and Morris Concept 2000

OVERVIEW: 2-1/4" (57mm) bolt hole spacing. The bolt hole section is flat and has two sets of holes. The top set of holes should be used in almost all cases when mounting this holder to the shank.

NOTES: Use self tapping screw (911-SCR-1051) to secure the air hose into the seed boot holder.



300-HLD-5010

FITS: Any chisel plow shank except the Bourgault and the Morris LH755 shank

OVERVIEW: 2-1/4" (57mm) bolt hole spacing. The bolt hole section is curved.

NOTES: Use a hose clamp to secure the air hose into the seed boot holder.

NOTES:

- All holders on this page only accept 1-1/8" (29mm) O.D. hose.
- Bushing 300-BSH-1200 is required for 1-1/4" (32mm) O.D. hose. See page 114.
- A self-tapping screw 911-SCR-1051 should be used to hold the air hose or the bushing into the seed boot holder.
- A 3/8" (9mm) screw 911-SCR-1038 is also available to secure the air hose into the top of the bushing.

SEED BOOT ATTACHMENTS

**300-BNC-4414**

This bolt and nut secure the quick change seed boot attachments into the holders.

**300-ATM-1000**

Spreader attachment will distribute the seed evenly in a 3" to 4" (76-102mm) band. Seed spread may vary depending on sweep size, soil type and fan speed.

**300-ATM-1006**

Spreader attachment will distribute the seed evenly in a 6" (152mm) row. Seed spread may vary depending on sweep size, soil type and fan speed. **Works well for organic operations because of the wide seed spread.**

**300-ATM-1010**

Splitter attachment places the seed into two distinct rows approx. 6" (152mm) apart. Seed spread may vary depending on sweep size, soil type and fan speed.

**300-ATM-1020**

Straight attachment spreads the seed approx. 2-1/2" (63mm). It works well with the quick change spoons, spikes or any size of sweep.

SEED BOOT ATTACHMENTS

**300-ATM-1031**

Knife attachment places the seed in a very narrow band.

For use behind:

- 200-VRT-1000
- 410-VRT-1000
- 410-HLD-7500
- 410-KNF-0800
- 410-KNF-0801

**300-ATM-1035**

Knife attachment places the seed in a very narrow band.

For use behind:

- 200-KNF-0810
- 200-KNF-0811
- 200-KNF-0813
- 200-KNH-4000

**300-ATM-1036**

For use in Europe. Knife attachment places the seed in a band. **There is hard facing on the side.** Wider slot than the 300-ATM-1035.

For use behind 200-KNF-0813.

**300-SQR-1500**

Slotted top hole to fit 1-3/4" to 2-1/4" (45-57mm) bolt spacing. Accepts 1-1/4" (32mm) O.D. air hose.

Designed to fit curved bottom shanks.

**300-SQR-1505**

Slotted top hole to fit 1-3/4" to 2-1/4" (45-57mm) bolt spacing. Accepts 1-1/4" (32mm) O.D. air hose.

Designed to fit flat bottom shanks.

SEED BOOT SQUARE TUBE

Original Degelman Wear Parts

Built by BTT for Degelman and available at BTT dealers!

Degelman Pro-Till *Niaux* 200 Disks

Notched concave disks provide a very aggressive cutting edge that is well suited for soil penetration. These disks are a good choice for residue management.

Concave disks do an excellent job of tilling and inverting the soil. The action of the disk depends on the speed. The biggest advantage this disk offers is durability and longevity.

MAX LIFE™ Harrow Tines

The MAX LIFE process weld infuses tungsten carbide onto the harrow tine creating the toughest and most economical option available.

Aftermarket MAX LIFE Harrow Tines last 6X longer than competitor tines and fit Degelman Heavy Harrows.

MAX LIFE™ Scrapers

MAX LIFE scrapers will significantly increase the life and performance of your roller scrapers.

The tungsten carbide tipped scrapers maintain their original length and shape, resulting in a clean roller and a more consistent field finish.



Degelman

SCRAPERS (PG 97) | HARROW TINES (PG 100) | DISKS (PG 104-105)

Fertilizer Knives

**200-KNF-7521**

FERTILIZER KNIFE

FITS: 200 Series Speed-Loc™**FERTILIZER TYPE:**

Cold Flow NH3

TUBE SIZE:

1/2" (12mm) O.D.

TIP OPTIONS:

3/4" (19mm) welded tip with carbide which provides extra wear life and better penetration.

INSTALLATION DRIVER:

100-DRV-1010

OVERVIEW: The shorter tube length on this knife makes it better for cultivators and chisel plows. The welded tip is better for rocky conditions.

Can be converted to pressurized NH3 or liquid system.

Call for details.

**200-KNF-7525**

FERTILIZER KNIFE

FITS: 200 Series Speed-Loc™**FERTILIZER TYPE:**

Cold Flow NH3

TUBE SIZE:

1/2" (12mm) O.D.

TIP OPTIONS:

3/4" (19mm) welded tip with carbide which provides extra wear life and better penetration.

INSTALLATION DRIVER:

100-DRV-1010

OVERVIEW: The longer tube length on this knife makes it better for air seeders and air drills that have seed boots on the back of the shank. **Not to be used with seed at the same time.** The welded tip is better for rocky conditions.

Can be converted to pressurized NH3 system.

Call for details.

**200-KNF-7531**

FERTILIZER KNIFE

FITS: 200 Series Speed-Loc™**FERTILIZER TYPE:**

Hot Gas NH3

TUBE SIZE:

3/8" (9mm) O.D.

TIP OPTIONS:

3/4" (19mm) welded tip with carbide which provides extra wear life and better penetration.

INSTALLATION DRIVER:

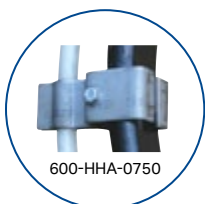
100-DRV-1010

OVERVIEW: The shorter tube length on this knife makes it better for cultivators and chisel plows. The welded tip is better for rocky conditions.

Can be converted to pressurized NH3 or liquid system.

Call for details.

For guaranteed delivery of multi-shoot openers, place orders by January 31st.

**Stabilize Your NH3 Hose**

This stainless steel hose holder mounts on any C-shank to hold the NH3 hose in place and is completely height adjustable.



410-KNF-0825
410-KNF-0826

FERTILIZER KNIFE

FITS: 410 Series
Speed-Loc™

FERTILIZER TYPE:

410-KNF-0825:
Cold Flow NH3

410-KNF-0826:
1/4" (6mm) NH3 PSI
or Liquid N

TUBE SIZE:

410-KNF-0825: 1/2"
(12mm) O.D.

410-KNF-0826: 1/4"
(6mm) O.D.

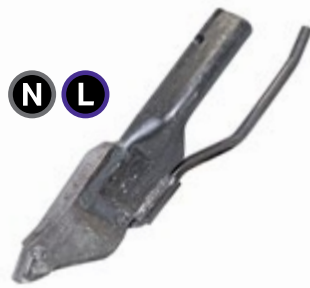
TIP OPTIONS:

3/4" (19mm) welded tip
with carbide provides
extra wear life and better
penetration.

INSTALLATION DRIVER:

400-DRV-1010

OVERVIEW: Designed
for heavy-duty use. The
welded tip makes it better
in rocky conditions.



410-KNF-0827

FERTILIZER KNIFE

FITS: 410 Series
Speed-Loc™

FERTILIZER TYPE:

Cold Flow NH3

TUBE SIZE:

1/2" (12mm) O.D.
Pipe is also tapped with
an 1/8" (3mm) NPT thread
allowing for threaded
inserts to accommodate
pressurized NH3 or liquid
fertilizer applications.

TIP OPTIONS:

3/4" (19mm) welded tip
with carbide provides
extra wear life and better
penetration.

INSTALLATION DRIVER:

400-DRV-1010

OVERVIEW: Designed
for heavy-duty use. The
welded tip makes it better
in rocky conditions.



410-KNF-0831

FERTILIZER KNIFE

FITS: 410 Series
Speed-Loc™

FERTILIZER TYPE:

Hot Gas NH3

TUBE SIZE:

3/8" (9mm) O.D.

TIP OPTIONS:

3/4" (19mm) welded tip
with carbide provides
extra wear life and better
penetration.

INSTALLATION DRIVER:

400-DRV-1010

OVERVIEW: Designed for
heavy-duty use with Hot
Gas NH3 kits. The welded
tip makes it better in rocky
conditions.

**Can be converted
to a Liquid system.**

Call for details.



410-KNF-0835

FERTILIZER KNIFE

FITS: 410 Series
Speed-Loc™

FERTILIZER TYPE:

Hot Gas NH3

TUBE SIZE:

3/8" (9mm) O.D.
capped with drilled cross
holes.

TIP OPTIONS:

3/4" (19mm) welded tip
with carbide provides
extra wear life and better
penetration.

INSTALLATION DRIVER:

400-DRV-1000

OVERVIEW: Designed for
heavy-duty use with Hot
Gas NH3 kits. The bottom
of the NH3 pipe is capped
with drilled cross holes.
This delivers the NH3 into
the sides of the fertilizer
trench. The welded tip
makes it better in rocky
conditions. In addition,
the longer tube prevents
trash from damaging
hose.



To ensure proper installation of **Speed-Loc™** products, use the appropriate driver listed with each product. For a chart of all drivers see page 80.



The Speed Release Tool 200-REL-1010 must be used when removing openers, sweeps and spikes from *Speed-Loc™* Adapters. See page 80.

**410-KNF-7540**

FERTILIZER KNIFE

FITS: 410 Series
*Speed-Loc™***FERTILIZER TYPE:**
Granular**TUBE SIZE:**
1-1/4" (32mm) O.D. For
different hose sizes a
bushing may be used. See
page 114.**TIP OPTIONS:** 3/4"
(19mm) welded tip with
carbide provides extra
wear life and better
penetration.**INSTALLATION DRIVER:**
400-DRV-1010**OVERVIEW:** Designed for
use with Granular fertilizer.**Not recommended for
seeding.**

410-KNF-7551

**410-KNF-7551
410-KNF-7553**

FERTILIZER KNIFE

FITS: 410 Series
*Speed-Loc™***FERTILIZER TYPE:**
Granular + Cold Flow or
Hot Gas NH3**TUBE SIZE:**
Granular: 1-1/4" (32mm)
O.D. For different hose
sizes a bushing may be
used. See page 114.**410-KNF-7551:** Cold
Flow NH3, 1/2" (12mm)
O.D.**410-KNF-7553:** Hot Gas
NH3, 3/8" (9mm) O.D.**TIP OPTIONS:**
3/4" (19mm) welded tip
with nose carbide for
long-lasting wear life and
excellent penetration.**INSTALLATION DRIVER:**
400-DRV-1010**OVERVIEW:** Designed for
use with Granular fertilizer
and either Cold Flow or
Hot Gas NH3 kits.**Not recommended for
seeding.****410-KNF-7560**

FERTILIZER KNIFE

FITS: 410 Series
*Speed-Loc™***FERTILIZER TYPE:**
NH3 + Liquid Phos**TUBE SIZE:**
0.400" stainless steel tube**TIP OPTIONS:**
3/4" (19mm) welded tip
with extra carbide for
long lasting wear life and
better penetration.**INSTALLATION DRIVER:**
400-DRV-1010**OVERVIEW:** Designed for
use with Aqua NH3 and
Liquid Phos. The welded
tip is better in rocky
conditions.***BUILD TO
ORDER**

410-KNH-7524

**410-KNH-7524
410-KNH-7526***

FERTILIZER KNIFE

FITS: 410 Series
*Speed-Loc™***FERTILIZER TYPE:**
Cold Flow NH3 or NH3 PSI**TUBE SIZE:**
410-KNH-7524: 1/2"
(12mm) O.D. for use with
Cold Flow Kits**410-KNH-7526:** 1/4"
(6mm) O.D. PSI**TIP OPTIONS:**
3/4" (19mm) tips:
• 600-TIP-7500
• 600-TIP-7501
• 600-TIP-7502**Tips sold separately.**
See page 17.**INSTALLATION DRIVER:**
400-DRV-1010**OVERVIEW:** Designed
for use with NH3 with
the flexibility of using a
replaceable tip, allowing
you to choose the right tip
for your conditions.**Can be converted to a
pressurized NH3 or liquid
system.** Call for details.**To ensure proper installation of
Speed-Loc™ products,** use the
appropriate driver listed with each
product. For a chart of all drivers
see page 80.**The Speed Release Tool 200-REL-1010
must be used when removing openers,
sweeps and spikes from Speed-Loc™
Adapters.** See page 80.

**200-KNH-4020**

FERTILIZER KNIFE

FITS: 200 Series
*Speed-Loc™***FERTILIZER TYPE:**
Cold Flow NH3**TUBE SIZE:**
1/2" (12mm) O.D.**TIP OPTIONS:** Any Single
Shoot Replaceable Tip,
allowing you to choose
the right tip for your
conditions. **Tips sold
separately.** See pages
12-13.**INSTALLATION DRIVER:**
Depends on tip used.
See page 80.**OVERVIEW:** This
fertilizer knife is only
recommended on light
duty units with light trips.**Not recommended for
rocky areas.**It is designed for use with
Cold Flow NH3 kits.**Can be converted to a
pressurized NH3 or liquid
system.** Call for details.**200-ASY-7523**

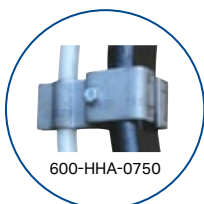
FERTILIZER KNIFE

FITS: 200 Series
*Speed-Loc™***FERTILIZER TYPE:**
Non-Freeze NH3**TUBE SIZE:** 1/2" (12mm)
O.D.**TIP OPTIONS:**
3/4" (19mm) welded tip
with extra carbide for
long lasting wear life and
better penetration.**INSTALLATION DRIVER:**
100-DRV-1010**OVERVIEW:** NH3 is
delivered through a nylon
insert, insulating the knife
from the NH3, preventing
moist soil from freezing
and building up on the
knife, keeping it narrow to
reduce disturbance with
minimal gassing off.**Not suggested for rocky
conditions.****410-ASY-0823**

FERTILIZER KNIFE

FITS: 410 Series
*Speed-Loc™***FERTILIZER TYPE:**
Non-Freeze NH3**TUBE SIZE:** 1/2" (12mm)
O.D.**TIP OPTIONS:**
3/4" (19mm) welded tip
with extra carbide for long
lasting wear life and better
penetration.**INSTALLATION DRIVER:**
400-DRV-1010**OVERVIEW:** NH3 is
delivered through a nylon
insert, insulating the knife
from the NH3, preventing
moist soil from freezing
and building up on the
knife, keeping it narrow to
reduce disturbance with
minimal gassing off.**Not suggested for rocky
conditions.****410-ASY-7523**

FERTILIZER KNIFE

FITS: 410 Series
*Speed-Loc™***FERTILIZER TYPE:**
Non-Freeze NH3**TUBE SIZE:** 1/2" (12mm)
O.D.**TIP OPTIONS:**
3/4" (19mm) tips:
• 600-TIP-7500
• 600-TIP-7501
• 600-TIP-7502**Tips sold separately.**
See page 17.**INSTALLATION DRIVER:**
400-DRV-1010**OVERVIEW:** NH3 is
delivered through a nylon
insert, insulating the knife
from the NH3, preventing
moist soil from freezing
and building up on the
knife, keeping it narrow to
reduce disturbance with
minimal gassing off.**Not suggested for rocky
conditions.****For guaranteed delivery of multi-shoot openers, place orders by January 31st.****Stabilize Your NH3 Hose**This stainless steel hose holder
mounts on any C-shank to hold the
NH3 hose in place and is completely
height adjustable.**Non-Freeze NH3 Rear
Assembly**This replacement rear assembly
works with all Non-Freeze NH3
Speed-Loc knives.

**050-KNH-0820**

FERTILIZER KNIFE

FITS: 47°, 50°
C-shank**FERTILIZER TYPE:**
Cold Flow NH3**TUBE SIZE:**
1/2" (12mm) O.D.**BOLT HOLE SPACING:**
1-3/4" to 2-1/2"
(44-64mm) slotted
bolt hole spacing
providing the ability
to fit many different
makes and models.**TIP OPTIONS:** Any
200 Series Single
Shoot Replaceable
Tip, allowing you to
choose the right tip
for your conditions.**Tips sold separately.**
See pages 12-13.**OVERVIEW:** This
fertilizer knife is only
recommended for
use on light duty
units with light trips.
Not recommended
for rocky areas.**NOTES: Installation
bolts sold separately.**
Use 1/2" Grade
8 hex head bolts.
See page 118.**Can be converted to
a pressurized NH3
or liquid system.**

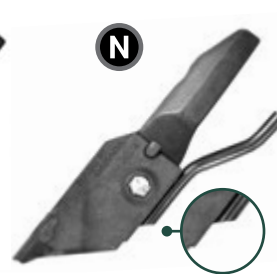
Call for details.

**599-KNH-7540**

FERTILIZER KNIFE

FITS: 47° C-shank**FERTILIZER TYPE:**
Granular**TUBE SIZE:**
1-1/4" (32mm)
O.D. For different
hose sizes a bushing
may be used. See
page 114.**BOLT HOLE SPACING:**
1-3/4" (45mm)**TIP OPTIONS:**
3/4" (19mm) tips:
• 600-TIP-7500
• 600-TIP-7501
• 600-TIP-7502**Tips sold separately.**
See page 17.**OVERVIEW:** This
fertilizer knife is
designed to fit on
the Bourgault Shank
with 1-3/4" bolt hole
centers with 47°
shanks on air seeder
units.**NOTES: Installation
bolts sold separately.**
Use 1/2" Grade
8 hex head bolts.
See page 118.**602-HLD-7500**

FERTILIZER KNIFE

FITS: 43°, 47°, 50°
C-shank**FERTILIZER TYPE:**
N/A**TUBE SIZE:**
N/A**BOLT HOLE SPACING:**
1-3/4" to 2-1/2"
(44-64mm) slotted
bolt hole spacing
providing the ability
to fit many different
makes and models.**TIP OPTIONS:**
3/4" (19mm) tips:
• 600-TIP-7500
• 600-TIP-7501
• 600-TIP-7502**Tips sold separately.**
See page 17.**OVERVIEW:**
This knife uses
replaceable tips.
Choose the right tip
for your conditions.**600-HLD-7500**
regular use
602-HLD-7500
heavy duty use in
tough conditions
and high shank trip
forces.**NOTES: Installation
bolts sold separately.**
Use 1/2" Grade
8 hex head bolts.
See page 118.**For 43° shank
use a 7° wedge.**
See page 114.**602-KNH-7520**

FERTILIZER KNIFE

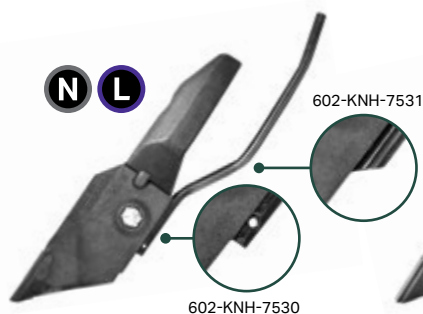
FITS: 43°, 47°, 50°
C-shank**FERTILIZER TYPE:**
Cold Flow NH3**TUBE SIZE:**
1/2" (12mm) O.D.**BOLT HOLE SPACING:**
1-3/4" to 2-1/2"
(44-64mm) slotted
bolt hole spacing
providing the ability
to fit many different
makes and models.**TIP OPTIONS:**
3/4" (19mm) tips:
• 600-TIP-7500
• 600-TIP-7501
• 600-TIP-7502**Tips sold separately.**
See page 17.**OVERVIEW:**
Designed for use
with Cold Flow NH3
kits. The replaceable
tip gives you the
flexibility to choose
the right tip for your
conditions.**NOTES: Installation
bolts sold separately.**
Use 1/2" Grade 8
hex head bolts. See
page 118. **For 43°
shank use a 7°
wedge.**
See page 114.**Can be converted to
a pressurized NH3
or Liquid system.**

Call for details.

**602-ASY-7523**

FERTILIZER KNIFE

FITS: 43°, 47°, 50°
C-Shank**FERTILIZER TYPE:**
Non-Freeze NH3**TUBE SIZE:**
1/2" (12mm) O.D.**BOLT HOLE SPACING:**
1-3/4" to 2-1/2"
(44-64mm) slotted
bolt hole spacing
providing the ability
to fit many different
makes and models.**TIP OPTIONS:**
3/4" (19mm) tips:
• 600-TIP-7500
• 600-TIP-7501
• 600-TIP-7502**Tips sold separately.**
See page 17.**OVERVIEW:** NH3 is
delivered through
a nylon insert,
insulating the knife
from the NH3,
preventing moist
soil from freezing
and building up on
the knife, keeping
it narrow to reduce
disturbance with
minimal gassing off.**Not recommended
for rocky conditions.****NOTES: Installation
bolts sold separately.**
Use 1/2" Grade
8 hex head bolts.
See page 118.**For 43° shank
use a 7° wedge.**
See page 114.



602-KNH-7530
602-KNH-7531

FERTILIZER KNIFE

FITS: 43°, 47°, 50° C-shank

FERTILIZER TYPE:

Hot Gas NH₃, Liquid or Aqua NH₃

TUBE SIZE:

600-KNH-7530 3/8" (9mm) O.D.

600-KNH-7531 0.400" stainless steel

BOLT HOLE SPACING:

1-3/4" to 2-1/2" (44-64mm) slotted bolt hole spacing providing the ability to fit many different makes and models.

TIP OPTIONS:

3/4" (19mm) tips:

- 600-TIP-7500
- 600-TIP-7501
- 600-TIP-7502

Tips sold separately.

See page 17.

OVERVIEW: Designed for use with the replaceable tip, giving you the flexibility to choose the right tip for your conditions.

NOTES: Installation bolts sold separately. Use 1/2"

Grade 8 hex head bolts. See page 118.

For 43° shank use a 7° wedge. See page 114.



602-KNH-7540

FERTILIZER KNIFE

FITS: 43°, 47°, 50° C-shank

FERTILIZER TYPE:

Granular

TUBE SIZE:

1-1/4" (32mm) O.D.

BOLT HOLE SPACING:

1-3/4" to 2-1/2" (44-64mm) slotted bolt hole spacing providing the ability to fit many different makes and models.

TIP OPTIONS:

3/4" (19mm) tips:

- 600-TIP-7500
- 600-TIP-7501
- 600-TIP-7502

Tips sold separately.

See page 17.

OVERVIEW: This knife uses replaceable tips. Choose the right tip for your conditions.

NOTES: Installation bolts sold separately. Use 1/2"

Grade 8 hex head bolts. See page 118.

For 43° shank use a 7° wedge. See page 114.



602-KNH-7552

FERTILIZER KNIFE

FITS: 43°, 47°, 50° C-shank

FERTILIZER TYPE:

Granular + Cold Flow NH₃

TUBE SIZE:

Granular: 1-1/4" (32mm)

O.D. For different hose sizes a bushing may be used. See page 114.

NH₃: 1/2" (12mm)

BOLT HOLE SPACING:

1-3/4" to 2-1/2" (44-64mm) slotted bolt hole spacing providing the ability to fit many different makes and models.

TIP OPTIONS:

3/4" (19mm) tips:

- 600-TIP-7500
- 600-TIP-7501
- 600-TIP-7502

Tips sold separately.

See page 17.

OVERVIEW: Designed for use with Granular and Cold Flow NH₃ kits. The replaceable tip gives you the flexibility to choose the right tip for your conditions.

NOTES: Installation bolts sold separately. Use 1/2"

Grade 8 hex head bolts. See page 118.

For 43° shank use a 7° wedge. See page 114.

Can be converted to a liquid system. Call for details.



602-KNH-7554

FERTILIZER KNIFE

FITS: 43°, 47°, 50° C-shank

FERTILIZER TYPE:

Granular + Cold Flow NH₃

TUBE SIZE:

Granular: 1-1/4" (32mm)

O.D. For different hose sizes a bushing may be used. See page 114.

NH₃: 1/2" (12mm)

BOLT HOLE SPACING:

1-3/4" to 2-1/2" (44-64mm) slotted bolt hole spacing providing the ability to fit many different makes and models.

TIP OPTIONS:

3/4" (19mm) tips:

- 600-TIP-7500
- 600-TIP-7501
- 600-TIP-7502

Tips sold separately.

See page 17.

OVERVIEW: Designed for use with Granular and Cold Flow NH₃ kits with the addition of an extra blow off NH₃ hose. The replaceable tip gives you the flexibility to choose the right tip for your conditions. The 602 series is designed for heavy duty conditions.

NOTES: Installation bolts sold separately. Use 1/2"

Grade 8 hex head bolts. See page 118.

For 43° shank use a 7° wedge. See page 114.

All 600 HLD Holders are replaced with the 602 HLD Series (heavy duty).

**602-KNH-7585**

FERTILIZER KNIFE

FITS: Bourgault MRS**FERTILIZER TYPE:**
Granular**TUBE SIZE:**
1-3/4" (44mm) O.D.**BOLT HOLE SPACING:**
1-3/4" to 2-1/4" (44-57mm)
slotted bolt hole spacing.**TIP OPTIONS:**
3/4" (19mm) tips:
• 600-TIP-7500
• 600-TIP-7501
• 600-TIP-7502**Tips sold separately.**
See page 17.**OVERVIEW:** This granular fertilizer knife is used with a replaceable tip, giving you the flexibility to choose the right tip for your conditions.**NOTES:** **Installation bolts sold separately.** Use 1/2" Grade 8 hex head bolts. See page 118.**602-KNH-7586**

FERTILIZER KNIFE

FITS: Bourgault MRS**FERTILIZER TYPE:**
Granular + Liquid or NH3**TUBE SIZE:**
Granular: 1-3/4" (44mm) O.D.**Liquid NH3:** 1/4" (6mm) O.D. Liquid or PSI**BOLT HOLE SPACING:**
1-3/4" to 2-1/4" (44-57mm)
slotted bolt hole spacing.**TIP OPTIONS:**
3/4" (19mm) tips:
• 600-TIP-7500
• 600-TIP-7501
• 600-TIP-7502**Tips sold separately.**
See page 17.**OVERVIEW:** This liquid and granular fertilizer knife is used with a replaceable tip, giving you the flexibility to choose the right tip for your conditions.**NOTES:** **Installation bolts sold separately.** Use 1/2" Grade 8 hex head bolts. See page 118.**602-KNH-7587**

FERTILIZER KNIFE

FITS: Bourgault MRS**FERTILIZER TYPE:**
Granular + Cold Flow NH3**TUBE SIZE:**
Granular: 1-1/4" to 1-3/4" (32-44mm) O.D.**NH3:** 1/2" (12mm) O.D.**BOLT HOLE SPACING:**
1-3/4" to 2-1/4" (44-57mm)
slotted bolt hole spacing.**TIP OPTIONS:**
3/4" (19mm) tips:
• 600-TIP-7500
• 600-TIP-7501
• 600-TIP-7502**Tips sold separately.**
See page 17.**OVERVIEW:** This NH3 and granular fertilizer knife is used with a replaceable tip, giving you the flexibility to choose the right tip for your conditions.**NOTES:** **Installation bolts sold separately.** Use 1/2" Grade 8 hex head bolts. See page 118.**602-KNH-7640**

FERTILIZER KNIFE

FITS: 43°, 47°, 50° C-shank**FERTILIZER TYPE:**
Granular**TUBE SIZE:**
1-1/2" (38mm) O.D.**BOLT HOLE SPACING:**
1-3/4" to 2-1/2" (44-64mm)
slotted bolt hole spacing
providing the ability to fit
many different makes and
models.**TIP OPTIONS:**
3/4" (19mm) tips:
• 600-TIP-7500
• 600-TIP-7501
• 600-TIP-7502**Tips sold separately.**
See page 17.**OVERVIEW:** This knife uses replaceable tips. Choose the right tip for your conditions. For heavy duty use in tough conditions and high shank trip forces.**NOTES:** **Installation bolts sold separately.** Use 1/2" Grade 8 hex head bolts. See page 118.**For 43° shank use a 7° wedge.** See page 114.

All 600 HLD Holders are replaced with the 602 HLD Series (heavy duty).

**Stabilize Your NH3 Hose**

This stainless steel hose holder mounts on any C-shank to hold the NH3 hose in place and is completely height adjustable.

**Non-Freeze NH3 Rear Assembly**

This replacement rear assembly works with all Non-Freeze NH3 Speed-Loc knives.



1/2" WIDE
050-MRA-5130



1/2" WIDE
050-MRA-5231



050-MRA-5120 **050-MRA-5130**
050-MRA-5122 **050-MRA-5131**

FERTILIZER KNIFE

FITS: C-shank with 1-3/4" bolt spacing
FERTILIZER TYPE: Granular + NH3, Granular + Liquid
TUBE SIZE:
NH3: 1/2" (12mm) O.D.
Liquid: 1/4" (6mm) O.D. stainless steel
Granular: 1-3/4" (44mm) O.D.
BOLT HOLE SPACING:
 1-3/4" (44mm) shank bolt hole spacing.
 Torque dry 110 ft. lbs.
TIP OPTIONS: N/A

OVERVIEW: This 1/2" wide low disturbance fertilizer knife has double carbide on the nose as well as hard facing above the carbide and on the sides for longer wear.

- 050-MRA-5120** applies NH3.
- 050-MRA-5122** applies NH3.
- 050-MRA-5130** applies NH3 + Granular.
- 050-MRA-5131** applies Liquid + Granular.

For an expanded view of this opener see page 124.

Modular design allows you to replace worn parts instead of the entire opener.

050-MRA-5220 **050-MRA-5230**
050-MRA-5222 **050-MRA-5231**

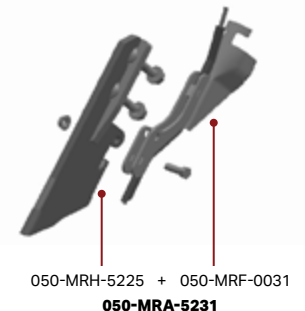
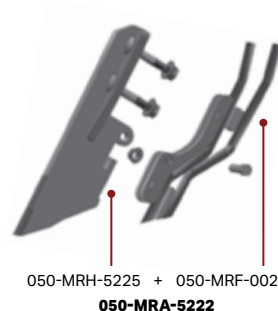
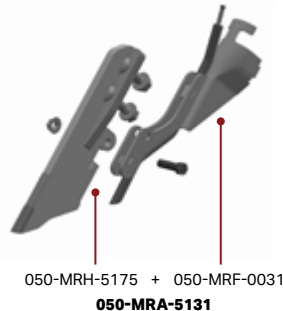
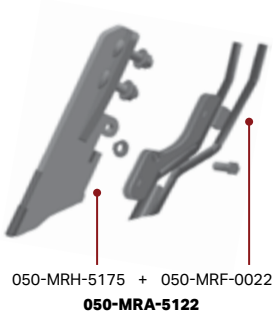
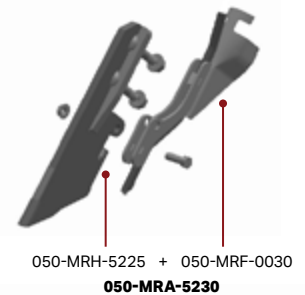
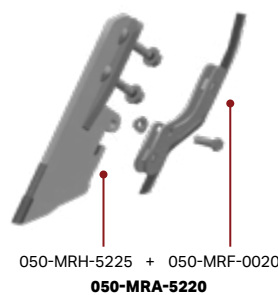
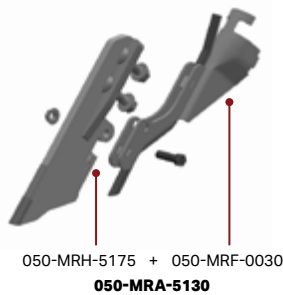
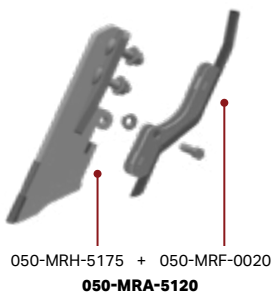
FERTILIZER KNIFE

FITS: C-shank with 2-1/4" bolt spacing
FERTILIZER TYPE: Granular + NH3, Granular + Liquid
TUBE SIZE:
NH3: 1/2" (12mm) O.D.
Liquid: 1/4" (6mm) O.D. stainless steel
Granular: 1-3/4" (44mm) O.D.
BOLT HOLE SPACING: 2-1/4" (57mm) shank bolt hole spacing. Torque dry 110 ft. lbs.
TIP OPTIONS: N/A

OVERVIEW: This 1/2" wide low disturbance fertilizer knife has double carbide on the nose as well as hard facing above the carbide and on the sides for longer wear.

- 050-MRA-5220** applies NH3.
- 050-MRA-5222** applies NH3.
- 050-MRA-5230** applies NH3 + Granular.
- 050-MRA-5231** applies Liquid + Granular.

For an expanded view of this opener see page 124.



DOUBLE NH3 TUBES FOR BLOW OFF

DOUBLE NH3 TUBES FOR BLOW OFF



670-ASY-7523
SHOWN WITH
600-TIP-7502



670-HLD-1000G
SHOWN WITH
600-TIP-7501



670-HLD-1000
670-HLD-1000G
670-HLD-1000GL
670-HLD-1000GN

670-HLD-1000N
670-HLD-1000L
670-ASY-7523

FERTILIZER KNIFE

FITS: 84° shanks and Salford Independent Series

FERTILIZER TYPES: Granular N, Granular N + NH₃, Granular N + Liquid N, NH₃, Liquid N

TUBE SIZE:

Granular: 1-1/2" (38mm) O.D.

NH₃: 1/2" (12mm) O.D.

Liquid: 1/4" (6mm) O.D. stainless steel

Non-Freeze NH₃: 1/2" (12mm) O.D.

TIP OPTIONS:

3/4" (19mm) tips:

- 600-TIP-7500
- 600-TIP-7501
- 600-TIP-7502

Tips sold separately. See page 17.

OVERVIEW: Body and fertilizer tubes are narrow with additional hard-surfacing on critical wear areas to increase the life of the holder. This opener features adjustment holes that allow you to adjust the height of the opener by 1.375" (35mm).

670-ASY-7523 NON-FREEZE VERSION: NH₃ is delivered through a nylon insert, insulating the NH₃ from the knife. This prevents the moist soil from freezing and building up on the knife, keeping it narrow to reduce disturbance with minimal gassing off. Designed to work with Cold Flow NH₃ units.



674-ASY-7523
674-HLD-7520
674-HLD-7530

FERTILIZER KNIFE

FITS: Nitro-Master Edge On Shank

FERTILIZER TYPE: Non-Freeze NH₃, Cold Flow NH₃, Hot Gas NH₃

TUBE SIZE:

NH₃: 1/2" (12mm) O.D.

Hot Gas NH₃ 3/8" (9.5mm) O.D.

BOLT HOLE SPACING: 4-1/2" (115mm) bolt hole spacing as well as 1-3/4" to 2-1/2" (44-64mm) slotted bolt hole spacing providing the ability to fit many different makes and models.

TIP OPTIONS:

3/4" (19mm) tips:

- 600-TIP-7500
- 600-TIP-7501
- 600-TIP-7502

Tips sold separately. See page 17.

OVERVIEW: This knife uses 600 series replaceable tips. Choose the right tip for your conditions. For heavy duty use in tough conditions and high shank trip forces.

NOTES: Installation bolts sold separately. Use Grade 8 hex head bolts. See page 118.



200-ASY-0001

Non-Freeze NH₃ Rear Assembly

This replacement rear assembly works with Non-Freeze NH₃ Speed-Loc knives.

Speed-Loc™

200 Series Quick Change Adapters

See the *Speed-Loc™* adapter chart on pages 82-83.



200-QCA-4700

FITS: 47° Shanks, Bourgault & Ezee-On field cultivators, air seeders and air drills

BOLT HOLE SPACING:
1-3/4" (45mm)
center to center

BOLTS:
1/2" (12mm)
hex head bolts.
See page 118.



200-QCA-4710

FITS: 47° Shanks (except Bourgault & Ezee-On)

BOLT HOLE SPACING:
1-3/4" (45mm)
center to center.

BOLTS:
7/16" (11mm) shank holes use oversized head plow bolts. See page 118.

1/2" (12mm) shank holes use regular plow bolts.



200-QCA-5000

FITS: 50° Shanks, Morris Concept 2000 & Bourgault

BOLT HOLE SPACING:
2-1/4" (57mm)
center to center.

BOLTS:
1/2" (12mm)
hex head bolts.
See page 118.

NOTES: Use for seeding only. Not recommended for primary tillage.



200-QCA-5010

FITS: 43° & 50° Shanks (except Bourgault Chisel Plows)

BOLT HOLE SPACING:
2-1/4" (57mm)
center to center.

BOLTS:
1/2" (12mm) plow bolts.

NOTES: Not recommended for deep, heavy tillage.

For 43° shank use a 7° wedge.
See page 114.

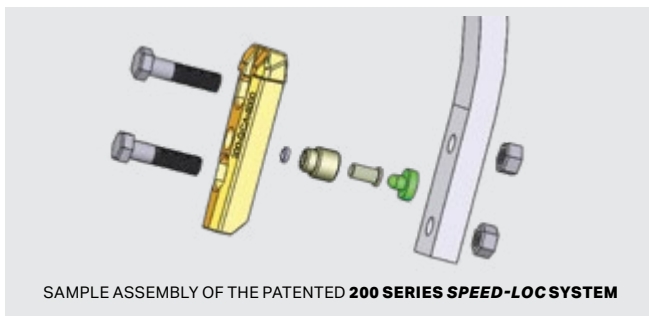


200-QCA-5020

FITS: European built shanks

BOLT HOLE SPACING:
63-80mm center to center.

BOLTS:
M12-Din608 10.9
plow bolts.



SAMPLE ASSEMBLY OF THE PATENTED 200 SERIES SPEED-LOC SYSTEM

Don't forget the Speed Release Tool!

The Speed Release Tool 200-REL-1010 must be used when removing openers, sweeps and spikes from the *Speed-Loc* Adapters. See page 80.

Not sure which adapter or bolts you need? See the *Speed-Loc* adapter chart on pages 82-83. For a complete list of bolt lengths, see page 118.



200-QCA-5030

FITS: Horsch shanks

BOLT HOLE SPACING:
2-1/4" (57mm)
center to center.

BOLTS:
M12-Din608 10.9
plow bolts.

410 Series Quick Change Adapters

Speed Release Tool 200-REL-1010 must be used to remove product from all *Speed-Loc* adapters.



410-QCA-5000

FITS: 50° Shanks on Bourgault chisel plows and Morris Concept 2000 with 755lb trip.

BOLT HOLE SPACING:

2-1/4" (57mm) center to center.

BOLTS:

1/2" (12mm) hex head bolts. See page 119.

NOTES: On a Bourgault four-hole shank, the center hole of the adapter should be plugged to protect the spring ball from NH3 gases when used as a NH3 applicator.

When installing 410 Series *Speed-Loc* Adapters for use with NH3, fill the hole behind the spring ball with plumber's putty to protect from degradation caused by NH3.



410-QCA-5010

FITS: 43° & 50° Shanks on all chisel plows except Bourgault, Morris Concept 2000 with 755lb trip, and some John Deere models.

BOLT HOLE SPACING:

1-3/4" to 3" (45-76mm) center to center slotted bolt hole spacing providing the ability to fit many different makes and models.

BOLTS: 1/2" (12mm) hex head bolts. See page 119.

NOTES: In rocky or abrasive conditions, the bottom nut may experience excessive wear or damage. This problem is alleviated by placing the bottom bolt in from the back of the shank and putting the nut inside the slot in front of the adapter.

For 43° shank use a 7° wedge. See page 114.



410-QCA-5020

FITS: Lemken shanks

BOLT HOLE SPACING:

1-3/4" (45mm) center to center.

BOLTS:

M12-DIN 608 10.9 plow bolts.



410-QCA-5060

FITS: Köckerling

BOLT HOLE SPACING: N/A

BOLTS:

M12-DIN 608 12.9 plow bolts.



410-QCA-5080

FITS: 50° Shanks on some older and current model John Deere 2410 and 2430 chisel plows, and Summers Superchisel.

BOLT HOLE SPACING:

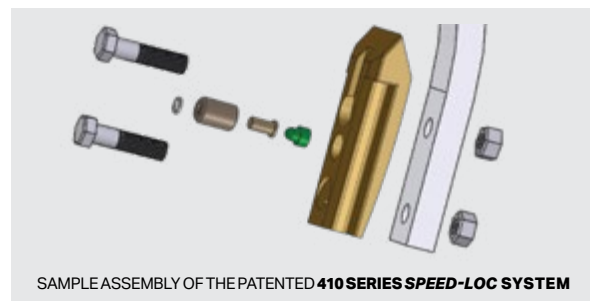
2-1/4" (57mm) center to center.

BOLTS:

For John Deere 1-1/4" shank use 1/2" x 3" Grade 8 hex head bolt prevailing torque lock nuts.

NOTES: Use bushing 880-BSH-2000 for installation on all John Deere shanks that have a split bottom bolt hole, and for Summers chisel plows. See page 114.

For 43° shank use a 7° wedge. See page 119.



SAMPLE ASSEMBLY OF THE PATENTED 410 SERIES SPEED-LOC SYSTEM

Speed-Loc™ Accessories & Replacement Parts

Speed Release Tool 200-REL-1010 must be used to remove product from all *Speed-Loc* adapters.

						
200-SLC-1001	200-SLC-1010	200-SLC-1020	200-SLC-1030	200-SLC-1035	200-SLC-1037	200-SLC-1038
Replacement bushing for all 200 Series adapters. Comes complete with dust seal.	Replacement dust seal for all 200 & 410 Series adapters.	Replacement locking pin for all 200 & 410 Series adapters purchased after Nov 1, 2008.	Replacement spring ball for 200-QCA-4700 adapters.	Replacement spring ball for 200-QCA-4710, 200-QCA-5000, 200-QCA-5010 adapters.	Replacement spring ball for 200-QCA-5020 adapters.	Replacement spring ball for 200-QCA-5020 adapters. For use in special applications.
						
200-SLC-1039	410-SLC-1001	410-SLC-1022	410-SLC-1030	410-SLC-1050	100-HAM-4000	200-REL-1010
Replacement spring ball for 200-QCA-5030 adapters.	Replacement bushing for 410-QCA-5000, 410-QCA-5010, 410-QCA-5020 adapters. Comes complete with dust seal.	Replacement locking pin for all 410 Series adapters purchased prior to Nov 1, 2008. If 410 Series adapter was purchased after Nov 1, 2008 use 200-SLC-1020.	Replacement spring ball for 410-QCA-5000, 410-QCA-5010, 410-QCA-5020 adapters.	Replacement package for 410 Series adapters. Includes pin, bushing, spring ball, dust seal.	This 4lb (1.8kg) hammer is ideal for installing all quick change products.	The speed release tool must be used to remove 200 and 410 Series sweeps and opens off <i>Speed-Loc</i> adapters.

Speed-Loc™ Drivers

Choose the correct driver to install *Speed-Loc* products.

PART #	100-DRV-1010	100-DRV-1020	200-DRV-1013	200-DRV-1030	400-DRV-1000	400-DRV-1010
200-ASY-7523	■					
200-HOE-1700		■				
200-KNF-0800, 0801, 0810, 0811, 0813, 7560						■
200-KNF-0863, 7501, 7510, 7511, 7512, 7521, 7525, 7531, 7542	■					
200-KNH-7551						■
200-TIP-0511, 0801, 0802, 0803, 0811 when used on 200-KNH-4000, 4010 OR 4020						■
200-TIP-1011				■		
200-TIP-2011, 3000, 3001, 3011, 4011 when used on 200-KNH-4000, 4010 OR 4020			■			
200-VRT-1040				■		
410-ASY-0823, 7523						■
410-KNF-0801, 0825, 0826, 0831, 7551, 7553, 7560						■
410-KNH-7524, 7526, 7540						■
SWEEPS & SPOONS					■	



Speed-Loc™ Installation & Removal

Scan the QR codes with your smart phone camera to watch the how-to videos.

Preparation

Before installing a new set of seeding openers, fertilizer knives, sweeps or spikes on new or existing adapters, ensure that you visually inspect each adapter for the following signs of damage:

- broken, damaged or missing locking pin
- completely depressed locking pin that will not retract back out (damaged spring ball)
- loose bolts, cracks and other signs of wear

Scan the QR code on the right with your smart phone camera to watch the video on how to replace a ball spring on Speed-Loc Quick Change adapters.



SCAN WITH SMART
PHONE CAMERA

Installation

When installing any product always use safety glasses and specified driver. See page 80.

- 1** Firmly install product by sliding it onto the adapter by hand, over the locking pin, until it will no longer travel on the adapter.
- 2** Place the appropriate driver over the product being installed to prevent damage to the nose or leading edge. With a 4lb. (1.8 kg) hammer, strike the driver with the hammer several times driving the product upward onto the adapter until it contacts the top stopper.
- 3** Product being driven on should be over the locking pin and snapped or locked into place in the hole of the product being driven on. Pin should be visible through the hole. **Product must be driven all the way on!** Putting the product on part way and going into the field will NOT place the product onto the adapter.
- 4** Verify the pin has sprung into place of the hole in the product. **Failure to do so will cause loss of product.**
- 5** After a few hundred acres of work, check adapters. If they are loose on the shank re-torque the bolts.



SCAN WITH SMART
PHONE CAMERA

New product may move slightly on the adapters. This is normal wear. If you notice any damage to the product or pin, replace damaged parts and return damaged parts to dealer. If product installs very hard and will not drive over the locking pin, do not use the product. Return it to dealer for replacement and warranty.

Scan the QR code above with your smart phone camera to watch the video on how to install products onto Speed-Loc Quick Change adapters.

Removal

When removing the product always use safety glasses and Speed-Release Tool (200-REL-1010). See page 80.

- 1** Strike the product sharply with a hammer on both sides of the product to loosen the rust and dirt between the adapter and product.
- 2** Place the hook of the release tool on top of the product stem; pressing down on the handle to depress the locking pin.
- 3** While depressing the locking pin strike the top driving plate of the release tool with a hammer to move the product downward to clear the pin on the adapter and STOP. Driving the release tool beyond the pin will result in damaging the release tool, locking pin and spring ball.
- 4** Remove the release tool; strike the top of the stem to remove the product the remainder of the way off the adapter body.
- 5** Clean and inspect the adapter and locking pin for damage. Follow installation instructions for reinstalling products.



SCAN WITH SMART
PHONE CAMERA

Scan the QR code on the right with your smart phone camera to watch the video on how to remove products from Speed-Loc Quick Change adapters.

Speed-Loc™ Adapter Chart

For North America & Australia

MAKE & MODEL	SHANK DEGREE	BOLT SIZE	HOLE CENTER	200 SERIES					410 SERIES			
				200-QCA-4700	200-QCA-4710	200-QCA-5000	200-QCA-5010	100-WDG-0700	410-QCA-5000	410-QCA-5010	410-QCA-5080	400-WDG-0300
AFM												
180, 200, 250, 880	43°	7/16	1-3/4			¹						
150, 2300, 310, 300	50°	1/2	2-1/4									
350 SCARICHESEL	50°	1/2	2-1/4									
ANDERSON												
FIELD CULTIVATORS	47°	3/8	1-3/4									
CHISEL PLOWS	50°	1/2	2-1/4									
BOURGAULT												
FIELD CULTIVATORS 6200, 6800, 8800, 8810, 8910	47°	1/2	1-3/4									
SPS 270, 360	50°	1/2	2-1/4									
5710, 5810 AIR DRILL	47°	1/2	1-3/4									
CHISEL PLOWS 9200, 9400, 9500, 9800	50°	1/2	2-1/4									
BRADY												
FIELD CULTIVATORS	43°	3/8	1-5/8	(NO ADAPTER FOR THIS APPLICATION)								
CHISEL PLOWS	50°	7/16	2-1/4									
BRILLION												
HFCT MO	47°	7/16	1-5/8									
BUSH HOG												
FIELD CULTIVATORS	47°	3/8	1-3/4									
CHISEL PLOWS	50°	7/16	2-1/4									
CASE												
FC, FCW, FCM, 10, 50, 55, 645	47°	3/8	1-3/4									
4700, 4900, 5000, 645	43°	1/2	2-1/4									
CASE IH												
255 TIGER-MATE II	47°	7/16	1-3/4									
45, 4300, 4500, 4600, 4700, 4800, 4900	47°	7/16	1-3/4									
VIBRASHANK	47°	7/16	1-3/4									
VIBRACHISEL 5600, 5700	43°	1/2	2-1/4									
5800, 5850, 5900	50°	1/2	2-1/4									
PTX 300, PTX 600	50°	1/2	2-1/4									
ATX 400, 700 AIR HOE DRILL 350 LB OR 550 LB TRIP	50°	1/2	2-1/4									
CONCORD												
C-SHANKS	50°	1/2	2-1/4									
EDGE-ON SHANKS	(NO ADAPTER FOR THIS APPLICATION)											
CCIL												
202, 179, 279, 379	47°	3/8	1-3/4									
203, 204, 205	43°	1/2	2-1/2									
806, 807, 808	43°	1/2	2-1/2									
CHISEL PLOW (THICK SHANK)	50°	7/16	2-1/4									
CNH (DMI)												
FIELD CULTIVATORS	47°	7/16	1-3/4									
DEGELMAN												
FIELD CULTIVATORS	47°	7/16	1-3/4									
500	50°	7/16	2-1/4									
3000-2	50°	7/16	2-1/4									
DEMSTER												
CHISEL PLOWS	54°	7/16	2-1/4	(NO ADAPTER FOR THIS APPLICATION)								
EDWARDS												
CHISEL PLOWS	50°	7/16	2-1/4									
FORWARD												
BOURGAULT TYNE												
280, 2700, 2800, 8800	47°	1/2	1-3/4									
FUSION DELTA	47°	1/2	1-3/4									
3000 & 400 SERIES C/P	50°	1/2	2-1/4									
EZEE-ON												
FIELD CULTIVATORS 3500, 3550, 5550	47°	1/2	1-3/4									

MAKE & MODEL	SHANK DEGREE	BOLT SIZE	HOLE CENTER	200 SERIES					410 SERIES			
				200-QCA-4700	200-QCA-4710	200-QCA-5000	200-QCA-5010	100-WDG-0700	410-QCA-5000	410-QCA-5010	410-QCA-5080	400-WDG-0300
6000 WITH FIELD CULTIVATOR SHANK OPTION												
6000 WITH CHISEL PLOW SHANK OPTION	47°	1/2	1-3/4									
6000 WITH CHISEL PLOW SHANK OPTION	50°	1/2	2-1/4									
ALL CHISEL PLOWS INCLUDING 7450	50°	1/2	2-1/4									
7560, 7550	47°	1/2	1-3/4									
FLEXI-COIL												
200, 400, 800	47°	7/16	1-3/4									
300, 340, 600	50°	1/2	2-1/4									
820 & ST820 WITH 350 LB & 550 LB TRIPS	47°	1/2	1-3/4									
820 & ST820 WITH 550 LB & 650 LB TRIPS	50°	1/2	2-1/4									
5000 & 7500 DEPENDING ON SHANK OPTION	47°	1/2	1-3/4									
5000 & 7500 DEPENDING ON SHANK OPTION	50°	1/2	2-1/4									
5000HD & 5500 AIR HOE DRILL 350 LB OR 550 LB TRIP	50°	1/2	2-1/4									
FRIGGSTAD												
FIELD CULTIVATORS	47°	7/16	1-3/4									
CHISEL PLOWS (OLDER MODELS)	50°	7/16	2-1/4									
CHISEL PLOWS	50°	1/2	2-1/4									
GASON												
5100 SERIES	46°	7/16	1-3/4									
SCARITILL & EH SCARITILL	47°	1/2	BOTH									
7100 ECOTILL	50°	1/2	2-1/4									
GESSNER												
HR 1200	50°	1/2	2-1/4									
GLENCOE												
PC, MPC, PCMW	47°	3/8	1-3/4									
CHISEL PLOWS	47°	7/16	2-1/4									
HIGH CLEARANCE	50°	7/16	1-2/4									
GRAHAM												
CHISEL PLOWS	50°	1/2	2-1/4									
400, 500, 1600, 2600	54°	7/16	2-1/4	(NO ADAPTER FOR THIS APPLICATION)								
GREAT PLAINS												
8000, 7000	47°	7/16	1-3/4									
GYRAL IMPLEMENTS												
PENETRATOR T23, T25	43°	1/2	BOTH									
AG BNOSS T30	43°	7/16	BOTH									
GYSLER												
CHISEL PLOWS	47°	7/16	2-1/4									
HESSTON												
FIELD CULTIVATORS	47°	1/2	1-3/4									
CHISEL PLOWS	50°	1/2	2-1/4									
HINIKER												
FIELD CULTIVATORS	47°	7/16	1-3/4									
CHISEL PLOWS	50°	1/2	2-1/4									
HORWOOD BAGSHAW												
350 SCARIBAR EDGE-ON	47°	1/2	1-3/4									
HORWARD												
CHISEL PLOWS ²	50°	9/16	2-1/4									
INTERNATIONAL												
45, 46, 47	47°	7/16	1-3/4									
10, 50, 55, 75, 509, 645	43°	1/2	2-1/4									
JANKE												
UNIV DIRECT DRILL	50°	1/2	2-1/4									
U/D DRILL (HYD) EARLY	50°	1/2	2-1/4									

NOTES: 200 Series adapters should not be used on a chisel plow or heavy duty cultivator unless being used for seeding.
¹Sweeps will not work with this combination, for knife openers only. ²Bolt sizes will require adapting.

MAKE & MODEL	SHANK DEGREE	BOLT SIZE	HOLE CENTER	200 SERIES				410 SERIES			
				200-QCA-4700	200-QCA-4710	200-QCA-5000	200-QCA-5010	100-WDG-0700	410-QCA-5000	410-QCA-5010	410-QCA-5080
JEFFROY											
450	47°	3/8	1-3/4	■							
JOHN DEERE³											
1000, 1010, 1050	43°	3/8	1-5/8	(NO ADAPTER FOR THIS APPLICATION)							
726, 2200, 2210, 2230	47°	7/16	1-3/4	■							
940, 960, 985	47°	7/16	1-3/4	■							
730	47°	7/16	1-3/4	■							
735, 737, 610, 655, 680, 685, 1600, 1610, 1650	50°	1/2 ⁵	2-1/4		4■			5■	6■		
1810, 1820, 1830, 1835 WITH 350 LB TRIPS	47°	1/2	1-3/4	■							
1810, 1820, 1830, 1835, H500, H500F WITH 500 LB TRIPS	50°	1/2 ⁵	2-1/4					5■	6■		
2400, 2410, 2430	50°	1/2 ⁵	2-1/4					5■	6■		
JOHN SHEARER											
UNIVERSAL CULTIVATOR	47°	7/16	1-3/4	■							
CHISEL PLOWS	50°	1/2	2-1/4								
KONGSKILDE											
C-SHANK	47°	1/2	1-3/4	■							
S-TINE	47°	7/16	1-5/8	■							
KRAUSE											
600, 900, 3100, 4200	47°	7/16	1-3/4	■							
4000	50°	1/2	2-1/4								
5630, 5635	47°	1/2	1-3/4	■							
LEON											
CP77	43°	7/16	2-1/4			■	■			■	■
ALL OTHER LEON CHISEL PLOWS	50°	1/2	2-1/4								
FIELD CULTIVATORS	47°	7/16	1-3/4	■							
MASSEY FERGUSON											
160	47°	3/8	1-3/4	■							
259	47°	7/16	1-3/4	■							
124, 125, 126, 128, 133	54°	7/16	2-1/4	(NO ADAPTER FOR THIS APPLICATION)							
MF 7300 CHISEL PLOW	50°	1/2	2-1/4								
MORRIS											
L225, L233, L240, L320	47°	3/8	1-3/4	■							
CHALLENGER II, 9000, 9100	47°	1/2	1-3/4	■							
MAXIM, MAXIM II	47°	1/2	1-3/4	■							
MAXIM III	47°	1/2	1-3/4	■							
CONCEPT 2000 WITH 400 LB TRIP	47°	1/2	1-3/4	■							
CONCEPT 2000 WITH 550 LB TRIP	47°	1/2	1-3/4	■							
CONCEPT 2000 WITH LH 755 LB TRIP	50°	1/2	2-1/4								
220, 4, 5, 6, 7	43°	7/16	2-1/4			■	■				■
MAGNUM I	43°	1/2	2-1/4			■	■				■
912, 8900, 9000, MAGNUM II	50°	1/2	2-1/4								
MAGNUM III WITH LH 755 LB TRIP	50°	1/2	2-1/4								
CHALLENGER L2 480	47°	3/8	1-3/4	■							
NEW HOLLAND											
SD 440A, SD 550A AIR HOE DRILL (DEPENDING ON SHANK OPTION)	47°	1/2	1-3/4	■							
SD 440A, SD 550A AIR HOE DRILL (DEPENDING ON SHANK OPTION)	50°	1/2	2-1/4								
ST 540 CHISEL PLOW	50°	1/2	2-1/4								
ST 250	47°	1/2	1-3/4	■							
ST 830 WITH 350 LB TRIP	47°	1/2	1-3/4	■							

MAKE & MODEL	SHANK DEGREE	BOLT SIZE	HOLE CENTER	200 SERIES				410 SERIES			
				200-QCA-4700	200-QCA-4710	200-QCA-5000	200-QCA-5010	100-WDG-0700	410-QCA-5000	410-QCA-5010	410-QCA-5080
ST 830 WITH 550 LB TRIP (DEPENDING ON SHANK OPTION)	47°	1/2	1-3/4	■							
ST 830 WITH 550 LB TRIP (DEPENDING ON SHANK OPTION)	50°	1/2	2-1/4								
ST 830 WITH 650 LB TRIP	50°	1/2	2-1/4								
P2050, P2060 AIR HOE DRILL 350 LB OR 550 LB TRIP	50°	1/2	2-1/4								
NOBLE											
XR20	50°	7/16	2-1/4								
8000, 4000 MULTI-TOOL	50°	1/2	2-1/4								
QUINSTAR											
FIELD FINISHER	47°	7/16	1-3/4	■							
FALLOW MASTER III	50°	1/2	2-1/4								
RYAN (RFM)											
1000 SERIES	47°	7/16	1-3/4	■							
SALFORD											
FIELD CULTIVATOR	47°	7/16	1-3/4	■							
SCHULTE											
1000 SERIES	50°	7/16	2-1/4								
SMALE											
MULTIVATOR	47°	7/16	1-3/4	■							
CHISEL PLOWS	50°	1/2	2-1/4								
SUMMERS											
SUPERCHISEL	50°	1/2	2-1/4								
SUNFLOWER											
CHISEL PLOWS	50°	1/2	2-1/4								
5000, 6000, 7000	47°	7/16	1-3/4	■							
TAYLOR											
FIELD CULTIVATORS	47°	3/8	1-3/4	■							
UNVERFERTH											
PERFECTA II FIELD CULTIVATORS	47°	7/16	1-3/4	■							
VERSATILE											
DH730, DH750 WITH 350 LB & 550 LB TRIPS	47°	1/2	1-3/4	■							
C500 WITH 350 LB & 550 LB TRIPS	47°	1/2	1-3/4	■							
C600 WITH 350 LB & 550 LB TRIPS	47°	1/2	1-3/4	■							
C600 WITH 600 LB TRIP	50°	1/2	2-1/4								
C700 WITH 650 LB TRIP	50°	1/2	2-1/4								
VICTORY											
CHISEL PLOWS	50°	1/2	2-1/4								
WIL-RICH											
FIELD CULTIVATORS	47°	7/16	1-3/4	■							
CHISEL PLOWS (1993 & OLDER)	43°	7/16	2-1/4								
CHISEL PLOWS (1994 & NEWER)	50°	1/2	2-1/4								
XL2, QX2	47°	7/16	1-3/4	■							
YEOMANS GRAHAM HOEMES											
US CHISEL PLOWS	50°	1/2	2-1/4								

NOTES: *880-BSH-2000 should be used with all split John Deere shanks. ⁴Use wedge 880-WDG-0300 to correct pitch. ⁵Shanks that are mounted with a vertical bolt (28" standard). ⁶Shanks that are mounted with a horizontal bolt (32" standard).



Sweeps & Chisels **24-30%** LONGER WEAR

- ♥ INCREASED DURABILITY
- ♥ REDUCED STEM WEAR
- ♥ BETTER VALUE

Blue Armour is available in select Bolt-On, 200 & 410 Series *Speed-Loc™* Quick Change sweeps and spoons. Not available in products with a welded wear pad.



**LOOK FOR THE BLUE
ARMOUR SHIELD!**



We are pleased with the performance of our Blue Armour Sweeps. **We were hoping for 30% more usable life than the competitor's sweep but we are getting closer to 50%.**

The wear pattern is better because Blue Armour retains the leading tip of the sweep much longer. This keeps us at a more consistent depth.

Ryan Tucker, North Dakota, USA

Tillage

200 Series Speed-Loc™

Blue Armour options available. Look for the blue shield!

	SIZE	THICKNESS	PRODUCT NO.	
 BLUE ARMOUR	4" (100mm)	1/4" (6mm)	200-PWV-0400	 BLUE ARMOUR
4" (200-PWV-0400)	5" (140mm)	1/4" (6mm)	200-PWV-0500	5" (200-PWV-0500)
	5" (140mm)	5/16" (8mm)	200-PWV-0508	
	7" (180mm)	1/4" (6mm)	200-PWV-0700	
 BLUE ARMOUR	7" (180mm)	5/16" (8mm)	200-PWV-0708	 BLUE ARMOUR
7" (200-PWV-0700)	9" (230mm)	1/4" (6mm)	200-PWV-0900	9" (200-PWV-0908)
	9" (230mm)	5/16" (8mm)	200-PWV-0908	
	10" (254mm)	1/4" (6mm)	200-PWV-1000	
 BLUE ARMOUR	10" (254mm)	5/16" (8mm)	200-PWV-1008	 BLUE ARMOUR
10" (200-PWV-1000)	11" (280mm)	1/4" (6mm)	200-PWV-1100	11" (200-PWV-1108)
	11" (280mm)	5/16" (8mm)	200-PWV-1108	
	12" (305mm)	1/4" (6mm)	200-PWV-1200	
 BLUE ARMOUR	12" (305mm)	5/16" (8mm)	200-PWV-1208	 BLUE ARMOUR
12" (200-PWV-1208)	13" (330mm)	1/4" (6mm)	200-PWV-1300	13" (200-PWV-1308)
	13" (330mm)	5/16" (8mm)	200-PWV-1308	
	14" (355mm)	1/4" (6mm)	200-PWV-1400	
 BLUE ARMOUR	14" (355mm)	5/16" (8mm)	200-PWV-1408	 BLUE ARMOUR
14" (200-PWV-1408)	16" (406mm)	5/16" (8mm)	200-PWV-1608*	16" (200-PWV-1608)
	18" (457mm)	5/16" (8mm)	200-PWV-1808*	

*THESE SWEEPS ARE ONLY AVAILABLE IN 5/16" (8MM) THICKNESS AND WERE DEVELOPED FOR WESTERN EUROPE. IT IS NOT RECOMMENDED FOR MOST NORTH AMERICAN FIELD CONDITIONS.



To ensure proper installation of **Speed-Loc™** products, use the appropriate driver listed with each product. For a chart of all drivers see page 80.



The Speed Release Tool 200-REL-1010 must be used when removing openers, sweeps and spikes from Speed-Loc™ Adapters. See page 80.



200-GFO-0308

GOOSEFOOT

This "Goosefoot" tillage tool is 5/16" (8mm) thick and 2-1/2" (63mm) wide.

Designed specifically for vibrating s-tine cultivators.



200-PWV-0405

SWEEP W/ HARDENED WEAR PAD

This sweep is 1/4" (6mm) thick and 4" (100mm) wide with a 3/8" hardened wear pad (52-56 HRC). The nose runs 1/2" (12mm) lower than the other 200 Series sweeps. This increased pitch improves penetration in hard or compacted ground. Ideal for fall tillage or deep working.

EMBEDDED CARBIDE ON UNDERSIDE



200-PWV-0405ML

MAX LIFE™ SWEEP W/ HARDENED WEAR PAD

This sweep is 1/4" (6mm) thick and 4" (100mm) wide with a 3/8" hardened wear pad (52-56 HRC). Heat applied, embedded carbide on the underside. The nose runs 1/2" (12mm) lower than the other 200 Series sweeps. This increased pitch improves penetration in hard or compacted ground. Ideal for fall tillage or deep working.

200-PWV-0528



200-PWV-0428
200-PWV-0528

SWEEP W/ HARDENED WEAR PAD

These sweeps are 5/16" (8mm) thick with a 3/8" x 2" hardened wear pad (52-56 HRC) which increases the life expectancy.

200-PWV-0428 is 4" (100mm) wide.

200-PWV-0528 is 5" (127mm) wide.

Designed mainly for fall tillage or deep working.



200-PWV-0928

SWEEP W/ HARDENED WEAR PAD

This sweep is 5/16" (8mm) thick and 9" (230mm) wide. It has a 3/8" x 2" hardened wear pad (52-56 HRC) that extends up the entire stem which increases its life expectancy.

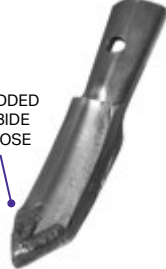


200-SPK-0200

SPIKE

This spike is 5/8" (15mm) thick, 2-1/4" (57mm) wide and 6" (150mm) long. It has a hardened wear pad (52-56 HRC) for extra life. This tool is ideal for primary tillage or banding fertilizer.

EMBEDDED CARBIDE ON NOSE



200-SPK-0200ML

MAX LIFE™ SPIKE

This spike is 5/8" (15mm) thick, 2-1/4" (57mm) wide and 6" (150mm) long. It has a hardened wear pad (52-56 HRC) for extra life. Heat applied, embedded carbide has been added to the nose. Ideal for primary tillage or banding fertilizer.



200-SPK-0215

SPIKE

This spike is 5/8" (15mm) thick, 2-1/4" (57mm) wide and 6" (150mm) long. It has a hardened wear pad (52-56 HRC) that extends to the top of the stem to prevent wear in abrasive soil or when working at greater depths.



200-SPK-0230

SPIKE

This spike is 5/8" (15mm) thick, 2" (50mm) wide and 4" (102mm) long with a hardened wear pad (52-56 HRC) for extra life. This tool is made specifically for slurry injection.

410 Series Speed-Loc™

Blue Armour options available. Look for the blue shield!



4" (410-PWV-0400)



6" (410-PWV-0600)
(410-PWV-0608)



8" (410-PWV-0800)
(410-PWV-0808)

SIZE	THICKNESS	PRODUCT NO.
4" (100mm)	1/4" (6mm)	410-PWV-0400
6" (150mm)	1/4" (6mm)	410-PWV-0600
6" (150mm)	5/16" (8mm)	410-PWV-0608
8" (200mm)	1/4" (6mm)	410-PWV-0800
8" (200mm)	5/16" (8mm)	410-PWV-0808
10" (254mm)	1/4" (6mm)	410-PWV-1000
10" (254mm)	5/16" (8mm)	410-PWV-1008
12" (305mm)	1/4" (6mm)	410-PWV-1200
12" (305mm)	5/16" (8mm)	410-PWV-1208
14" (355mm)	1/4" (6mm)	410-PWV-1400
14" (355mm)	5/16" (8mm)	410-PWV-1408
16" (406mm)	1/4" (6mm)	410-PWV-1600
16" (406mm)	5/16" (8mm)	410-PWV-1608
18" (457mm)	5/16" (8mm)	410-PWV-1808



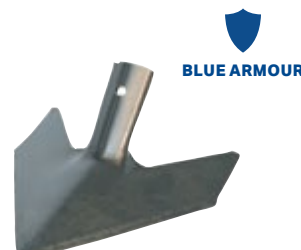
18" (410-PWV-1800)
(410-PWV-1808)



16" (410-PWV-1600)
(410-PWV-1608)



10" (410-PWV-1000)
(410-PWV-1008)



12" (410-PWV-1200)
(410-PWV-1208)



14" (410-PWV-1400)
(410-PWV-1408)



To ensure proper installation of **Speed-Loc™** products, use the appropriate driver listed with each product. For a chart of all drivers see page 80.



The Speed Release Tool 200-REL-1010 must be used when removing openers, sweeps and spikes from Speed-Loc™ Adapters. See page 80.

**410-PWV-0418****CHISEL W/ HARDENED WEAR PAD**

This chisel has a 3/8" x 2" hardened wear pad (52-56 HRC) for longer life. The sweep is 5/16" (8mm) thick and 4" (100mm) wide.

This chisel runs at a 13° pitch, steeper than the regular 410 Series chisel and provides more disturbance. This tool is ideal for primary tillage or banding fertilizer.

EMBEDDED
CARBIDE ON
UNDERSIDE**410-PWV-0418ML****MAX LIFE™ CHISEL W/ HARDENED WEAR PAD**

This chisel has a 3/8" x 2" hardened wear pad (52-56 HRC) for longer life. The chisel is 5/16" (8mm) thick and 4" (100mm) wide. Heat applied, embedded carbide has been added to the underside.

This chisel runs at a 13° pitch, steeper than the regular 410 Series chisel and provides more disturbance. Ideal for primary tillage or banding fertilizer.

**410-PWV-0518****CHISEL W/ HARDENED WEAR PAD**

This chisel is 5/16" (8mm) thick x 5" (127mm) wide. It has a 3/8" x 2" hardened wear pad (52-56 HRC) for longer life.

It runs at a 3° pitch, the same as a standard chisel.

**410-SPK-0200****SPIKE**

This heavy-duty spike is 5/8" (15mm) thick, 2" (50mm) wide and 9" (230mm) long. It has a 3/8" x 2" hardened wear pad (52-56 HRC) for extra life. This tool is ideal for primary tillage or banding fertilizer.

EMBEDDED
CARBIDE ON
UNDERSIDE**410-SPK-0200ML****MAX LIFE™ SPIKE**

This heavy-duty spike is 5/8" (15mm) thick, 2" (50mm) wide and 9" (230mm) long. It has a 3/8" x 2" hardened wear pad (52-56 HRC) for extra life. Heat applied, embedded carbide has been added to the underside. Ideal for primary tillage or banding fertilizer.

Bolt-On Sweeps, Spikes & Chisels

Blue Armour options available. Look for the blue shield!

The Extended Stem Advantage

Bolt-on sweeps fit all makes and models of tillage equipment. The stem, or neck, on these bolt-on sweeps are longer than that of our competitors. This extended stem allows us to punch the bolt holes higher than what you'd see on any other brand of sweep.

The results are reduced stem breakage, less wear on the shank, and less wear and stone damage to the bottom bolt. Less wear on the shank extends the useful life of the sweep, while less stone damage on the bottom bolt means fewer problems when changing shovels.

The extended stem feature saves you time and money.



BLUE ARMOUR

043 Series

FITS: Heavy-duty chisel plows with 43° shanks and 2-1/4" to 2-1/2" (57-64mm) hole centers.

SIZE	THICKNESS	PRODUCT NO.
8" (200mm)	1/4" (6mm)	043-PWV-0800
10" (254mm)	1/4" (6mm)	043-PWV-1000
12" (305mm)	1/4" (6mm)	043-PWV-1200
14" (355mm)	1/4" (6mm)	043-PWV-1400
16" (420mm)	1/4" (6mm)	043-PWV-1600
18" (460mm)	1/4" (6mm)	043-PWV-1800



BLUE ARMOUR

047 Series

FITS: Field cultivators with 47° shanks and 1-3/4" (45mm) hole centers.

SIZE	THICKNESS	PRODUCT NO.
4" (100mm)	1/4" (6mm)	047-PWV-0400
7" (180mm)	5/16" (8mm)	047-PWV-0708
9" (230mm)	1/4" (6mm)	047-PWV-0900
9" (230mm)	5/16" (8mm)	047-PWV-0908
10" (254mm)	1/4" (6mm)	047-PWV-1000
10" (254mm)	5/16" (8mm)	047-PWV-1008
11" (280mm)	1/4" (6mm)	047-PWV-1100
12" (305mm)	1/4" (6mm)	047-PWV-1200
13" (330mm)	1/4" (6mm)	047-PWV-1300
13" (330mm)	5/16" (8mm)	047-PWV-1308



BLUE ARMOUR

050 Series

FITS: Heavy-duty chisel plows with 50° shanks and 2-1/4" (57mm) hole centers.

SIZE	THICKNESS	PRODUCT NO.	SIZE	THICKNESS	PRODUCT NO.
6" (150mm)	1/4" (6mm)	050-PWV-0600	14" (355mm)	1/4" (6mm)	050-PWV-1400
8" (200mm)	1/4" (6mm)	050-PWV-0800	16" (420mm)	1/4" (6mm)	050-PWV-1600
10" (254mm)	1/4" (6mm)	050-PWV-1000	16" (420mm)	5/16" (8mm)	050-PWV-1608
12" (305mm)	1/4" (6mm)	050-PWV-1200	18" (460mm)	1/4" (6mm)	050-PWV-1800



070-RCH-0451

REVERSIBLE CHISEL

This reversible chisel is 5/16" (8mm) thick and 4" (100mm) wide. It has 1-3/4" (45mm) bolt hole spacing to fit light and medium-duty field cultivators.

It is used mostly for primary tillage in the fall or early spring.



070-RCH-0452

REVERSIBLE CHISEL

This reversible chisel is 5/16" (8mm) thick and 4" (100mm) wide. It has 2-1/4" to 2-1/2" (57-63mm) bolt hole spacing.

It is used mostly for primary tillage in the fall or early spring.



070-RSP-0200A

REVERSIBLE SPIKE

This reversible spike is 2" (50mm) wide, 5/8" (16mm) thick and 14-1/2" (368mm) long. It has 1-3/4" to 2" (45-57mm) bolt hole spacing.

It is shorter than our other two reversible spikes, and is designed for light to medium-duty field cultivators or for chisel plows where ground clearance in transport is a concern.



070-RSP-0210A

REVERSIBLE SPIKE

FITS: Bourgault chisel plow and Morris LH 755 shank.

On 43° machines the shank curvature may interfere with installation.

This reversible spike is 2" (50mm) wide, 5/8" (16mm) thick and 17" (431mm) long.

It has 2-1/4" (57mm) bolt hole spacing and is flat through the bolt hole section.



070-RSP-0220A

REVERSIBLE SPIKE

FITS: Any chisel plow shank except Bourgault chisel plow and Morris LH 755 shank.

On 43° machines the shank curvature may interfere with installation.

This reversible spike is 2" (50mm) wide, 5/8" (16mm) thick and 16-1/2" (419mm) long.

It has 2-1/4" to 2-1/2" (57-63mm) bolt hole spacing and is curved at the bolt hole section.



SHOWN WITH
200-TIP-0802

030-HLD-2000

HOLDER

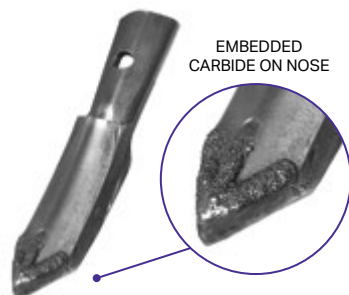
FITS: John Deere 2210 47° shank, Salford Curved Flat S-Tine two piece shank.

This holder allows the use of our 200 Series tips, thus providing a much longer wearing alternative to what is currently common in the industry.

Tips sold separately.
See pages 12-13.

MAX LIFE™ Sweeps, Spikes & Chisels

Speed-Loc™ & Bolt-On Options



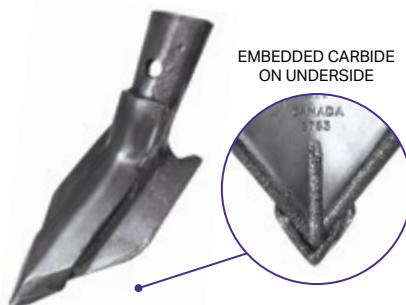
200-SPK-0200ML

QUICK CHANGE SPIKE

FITS: 200 Series Speed-Loc™ (47° shank)

This spike is 5/8" (15mm) thick, 2-1/4" (57mm) wide and 6" (150mm) long. It has a hardened wear pad (52-56 HRC) for extra life.

Heat applied, embedded carbide has been added to the nose. Ideal for primary tillage or banding fertilizer.



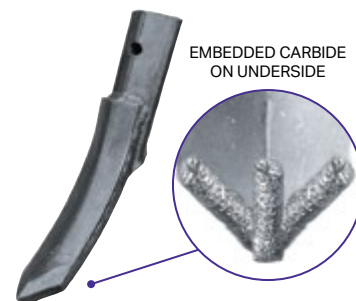
200-PWV-0405ML

QUICK CHANGE CHISEL

FITS: 200 Series Speed-Loc™ (47° shank)

This chisel is 1/4" (6mm) thick and 4" (100mm) wide with a 3/8" hardened wear pad (52-56 HRC) which increases the life expectancy. Heat applied, embedded carbide has been added to the underside.

The chisel nose runs 1/2" (12mm) lower than the other 200 Series sweeps. The increased pitch improves penetration in hard or compacted ground. Ideal for fall tillage or deep working.



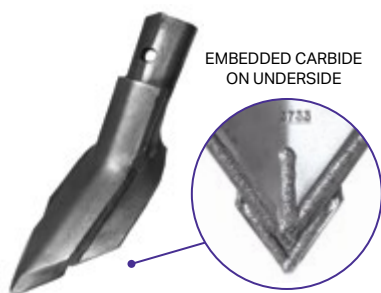
410-SPK-0200ML

QUICK CHANGE SPIKE

FITS: 410 Series Speed-Loc™ (47° shank)

This spike is 2" (50mm) wide, 5/8" (15mm) thick and 9" (230mm) long. It has a 3/8" x 2" hardened wear pad (52-56 HRC) for extra life. Heat applied, embedded carbide has been added to the underside.

Ideal for primary tillage or banding fertilizer.



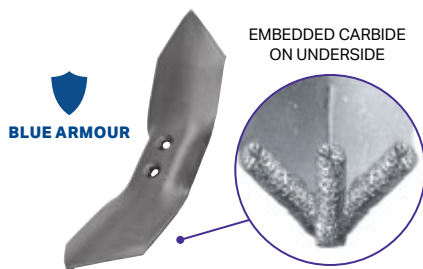
410-PWV-0418ML

QUICK CHANGE CHISEL

FITS: 410 Series Speed-Loc™ (47° shank)

This chisel has a 3/8" x 2" hardened wear pad (52-56 HRC) for longer life. It is 5/16" (8mm) thick and 4" (100mm) wide. Heat applied, embedded carbide has been added to the underside.

This chisel runs at a 13° pitch, steeper than the regular 410 Series chisel.

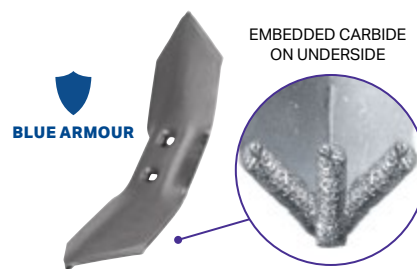


070-RCH-0451ML

REVERSIBLE CHISEL

This reversible chisel has heat applied, embedded carbide added to the underside. It is 5/16" (8mm) thick and 4" (100mm) wide. It has 1-3/4" (45mm) bolt hole spacing to fit light- and medium-duty field cultivators.

It is used mostly for primary tillage in the fall or early spring.



070-RCH-0452ML

REVERSIBLE CHISEL

This chisel is 4" (100mm) wide, 5/16" (8mm) thick and 9" (230mm) long. It has a hardened wear pad (52-56 HRC) for extra life. Heat applied, embedded carbide has been added to the underside. Ideal for primary tillage or banding fertilizer.

Cast Sweeps & Chisel Plow Points

Manufactured by Richmond Brothers Equipment and available through the BTT dealer network!



810-SIH-0700

CAST SWEEP

FITS: Case IH

SIZE: 7"

OVERVIEW: 47°, 1-3/4" Centers, 7/16" Bolt

RICHMOND BROS PART #: RB7IH



810-SIH-0900

CAST SWEEP

FITS: Case IH

SIZE: 9"

OVERVIEW: 47°, 1-3/4" Centers, 7/16" Bolt

RICHMOND BROS PART #: RB9IH



810-SJD-0700

CAST SWEEP

FITS: John Deere

SIZE: 7"

OVERVIEW: 47°, 1-3/4" Centers, 7/16" Bolts

RICHMOND BROS PART #: RB7JD



810-SJD-0900

CAST SWEEP

FITS: John Deere

SIZE: 9"

OVERVIEW: 47°, 1-3/4" Centers, 7/16" Bolts

RICHMOND BROS PART #: RB9JD



810-CPP-0200

CHISEL PLOW POINT

SIZE: 2"

OVERVIEW: Reversible, 1-3/4" to 2-3/4" Hole Centers

RICHMOND BROS PART #: RBDC



810-CPP-0750

CHISEL PLOW POINT

SIZE: 7-1/2"

OVERVIEW: Winged, 50°, 2-1/4" Hole Centers, 1/2" Bolts

RICHMOND BROS PART #: RBPR



810-SKG-0275

SHOVEL

FITS: Kongskilde

SIZE: 2-3/4"

OVERVIEW: Single 7/16" Bolt

RICHMOND BROS PART #: RB234K



810-SKG-0400

SHOVEL

FITS: Kongskilde

SIZE: 4"

OVERVIEW: Duck Foot, Single 7/16" Bolt

RICHMOND BROS PART #: RB4K

See note on page 117 for torque specifications

Deep Rippers

Manufactured by Richmond Brothers Equipment and available through the BTT dealer network!



815-RIH-0300

DEEP RIPPER

FITS: Case IH, DMI

SIZE: 3"

OVERVIEW: 1-1/4" Parabolic,
1 Hole Ripper Point

RICHMOND BROS PART #: RB3C



815-RIH-0500

DEEP RIPPER

FITS: Case IH, DMI

SIZE: 5"

OVERVIEW: 1-1/4" Parabolic,
1 Hole Ripper Point

RICHMOND BROS PART #: RB5C



815-RIH-0700

DEEP RIPPER

FITS: Case IH, DMI

SIZE: 7"

OVERVIEW: 1-1/4" Parabolic,
1 Hole Ripper Point

RICHMOND BROS PART #: RB7C



815-RIH-1000

DEEP RIPPER

FITS: Case IH, DMI

SIZE: 10"

DESCRIPTION: 1-1/4" Parabolic,
1 Hole Ripper Point

RICHMOND BROS PART #: RB10C



815-RIH-1400

DEEP RIPPER

FITS: Case IH, DMI

SIZE: 14"

DESCRIPTION: 1-1/4" Parabolic,
1 Hole Ripper Point

RICHMOND BROS PART #: RB14C



815-RJD-0300

DEEP RIPPER

FITS: John Deere, Kuhn Krause
Dominator

SIZE: 3"

DESCRIPTION: 1-1/4" Parabolic,
2 Hole Ripper Point

RICHMOND BROS PART #: RB3



815-RJD-0500

DEEP RIPPER

FITS: John Deere, Kuhn Krause Dominator

SIZE: 5"

DESCRIPTION: 1-1/4" Parabolic, 2 Hole Ripper Point

RICHMOND BROS PART #: RB5



815-RJD-0700

DEEP RIPPER

FITS: John Deere, Kuhn Krause Dominator

SIZE: 7"

DESCRIPTION: 1-1/4" Parabolic, 2 Hole Ripper Point

RICHMOND BROS PART #: RB7



815-RJD-1000

DEEP RIPPER

FITS: John Deere, Kuhn Krause Dominator

SIZE: 10"

DESCRIPTION: 1-1/4" Parabolic, 2 Hole Ripper Point

RICHMOND BROS PART #: RB10



815-RJD-1400

DEEP RIPPER

FITS: John Deere, Kuhn Krause Dominator

SIZE: 14"

DESCRIPTION: 1-1/4" Parabolic, 2 Hole Ripper Point

RICHMOND BROS PART #: RB14

Built rugged for superior abrasion & impact resistance.

The Richmond Brothers Equipment line of ripper points is designed to stand up in adverse, rocky conditions with little to no damage or breakage and has outlasted competitive points in side-by-side field testing.

Wear protection is built into the ripper design, so when it's time to change points, it's fast, easy, and you can reuse attaching hardware.

The high center crown design of Richmond cast cultivator sweeps gives an overall smoother field finish with considerably less slabbing in sticky conditions. Sweeps have an aggressive point and a more durable cutting edge for excellent weed-cutting and an unbeatable wear-life.

Shank Savers & Nuggets

Manufactured by Richmond Brothers Equipment and available through the BTT dealer network!



815-RSS-0010



815-RSS-0020



815-RSS-0040

815-RSS-0010

SHANK SAVER

FITS: Case IH 870 & 875

OVERVIEW: Nugget style design single shank saver. Designed to fill with dirt first so that your tillage tools remain protected.

RICHMOND BROS PART #:
RBSSCW

815-RSS-0020

SHANK SAVER

FITS: Krause Dominator

OVERVIEW: Nugget style design single shank saver. Designed to fill with dirt first so that your tillage tools remain protected.

RICHMOND BROS PART #:
RBSSDN

815-RSS-0030

SHANK SAVER

FITS: John Deere

OVERVIEW: Nugget style design single shank saver. Designed to fill with dirt first so that your tillage tools remain protected.

RICHMOND BROS PART #:
RBSSCW

815-RSS-0040

SHANK SAVER

FITS: Landoll-style Parabolic Shanks

OVERVIEW: Wedge style shank saver offers least draft and helps keep trash from digging into the shank.

RICHMOND BROS PART #:
RBSSLW



815-RNW-0010

NUGGET

OVERVIEW: Half moon shape weld-on nugget, old style.



815-RNW-0011

NUGGET

OVERVIEW: Triangle shape weld-on nugget, new style.



815-RNW-0020

NUGGET

OVERVIEW: Landoll Wedge

MAX LIFE™ Scrapers

Keep disks and packer wheels clean and free of debris.



015-JDS-2680

FITS: John Deere,
Norwood

REPLACES OEM#:
John Deere 55-4-01605,
5NS55401716



015-SRC-0001

FITS: Bourgault 3310, 3320 & 3420,
SE, QDA & XTC, John Deere 1870
Conserva Pak

REPLACES OEM#:
Bourgault N/A
John Deere A88182

NOTES: Packer scraper. Sized to
fit multiple mounting brackets.
Scraper arm assembly is required
on Bourgault machines.



015-SRC-0004

FITS: Wishek Tandem
Disk Model 814NT, 842NT & 862NT

REPLACES OEM#:
Wishek W105216
Flaman PW1105216

NOTES: Disk Scraper



010-DEG-1000

FITS: Degelman Pro-Till
REPLACES OEM#:
572955



010-DEG-1001ML

FITS: Degelman Pro-Till
REPLACES OEM#:
572957
NOTES: This scraper has
MAX LIFE™ tungsten
embedded carbide applied
to wear edges.

Interested in BTT Products?

Try before you buy with
the BTT Demo Program.
See page 55.

MAX LIFE

HARROW TINES

Harrow tines to fit most makes and models whether it's grey, blue, red, yellow or green.

6X

LONGER WEAR

3YR

LIMITED WARRANTY



Improved Wear. Exceptional value.

The *MAX LIFE*[™] process infuses tungsten carbide onto the harrow tine creating the toughest and most economical option available. BTT applies its *MAX LIFE* coating to tines manufactured by S3 Wireform, which are known for consistency and longer coil life. Field tests have proven that *MAX LIFE* tines outlast regular tines by a minimum of 6X.

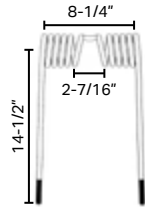


MAX LIFE™ Tungsten Carbide Harrow Tines

Ask your BTT dealer for the latest additions to our lineup!

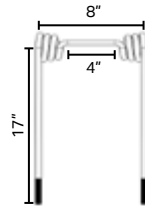
010-HAR-3814ML

COIL I.D.: 1-15/16"
DIMENSIONS: 3/8" X 8-1/4" X 14-1/2"
FITS:
 Summers/Herman (OEM #8H1110S)



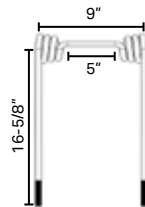
010-HAR-3817ML

COIL I.D.: 1-13/16"
DIMENSIONS: 3/8" X 8" X 17"
FITS:
 Bourgault (OEM #2070-27)



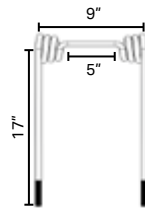
010-HAR-3818ML

COIL I.D.: 1-11/16"
DIMENSIONS: 3/8" X 9" X 16-5/8"
FITS:
 Degelman (OEM #143101)



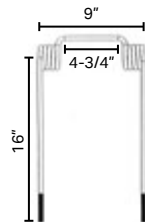
010-HAR-3819ML

COIL I.D.: 2"
DIMENSIONS: 3/8" X 9" X 17"
FITS:
 Summers (OEM #8H1150S)



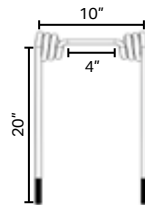
010-HAR-4309ML

COIL I.D.: 2-1/16"
DIMENSIONS: 7/16" X 9" X 16"
FITS:
 John Deere (OEM #N236890)



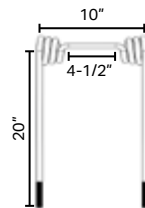
010-HAR-4375ML

COIL I.D.: 2-1/8"
DIMENSIONS: 7/16" X 10" X 20"
FITS:
 Bourgault 6000/Delmar 5500
 (OEM #2070-77, #2070-77-01)



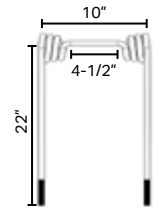
010-HAR-5000ML

COIL I.D.: 2-9/16"
DIMENSIONS: 1/2" X 10" X 20"
FITS:
 Salford (OEM #R60000)



010-HAR-5001ML

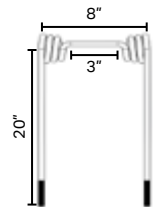
COIL I.D.: 2-11/16"
DIMENSIONS: 1/2" X 10" X 22"
FITS:
 Bourgault XR770 (OEM #2070-79,
 2070-79-01)



NOTES: Installation bolts sold separately. Please check OEM specs.
 Use 1/2" x 3-3/4" Shoulder Bolt
 946-HRG-3754. See page 118.

010-HAR-5008ML

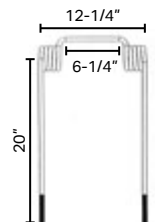
COIL I.D.: 2-5/8"
DIMENSIONS: 1/2" X 8" X 20"
FITS:
 Bourgault 8800/8810/8910 series
 Cultivator, SPS 270/360/365, and
 9000 Series CP (OEM #2070-76)



NOTES: Installation bolts sold separately. Please check OEM specs.
 Use 1/2" x 3-3/4" Shoulder Bolt
 946-HRG-3754. See page 118.

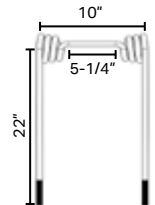
010-HAR-5020ML

COIL I.D.: 2"
DIMENSIONS: 1/2" X 12-1/4" X 20"
FITS:
 John Deere (OEM #N236516)



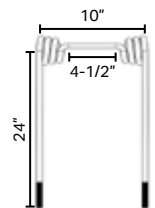
010-HAR-5022ML

COIL I.D.: 2-3/4"
DIMENSIONS: 1/2" X 10" X 22"
FITS:
 Elmer's (OEM #21370, 12137000)



010-HAR-5024ML

COIL I.D.: 2-3/4"
DIMENSIONS: 1/2" X 10" X 24"
FITS:
 Rite Way (OEM #404-0039)

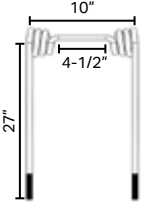


3 YEAR Limited Warranty

From the date of purchase against breakage for three years prorated to a maximum of 100%.

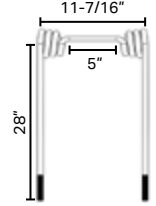
010-HAR-5027ML

COIL I.D.: 2-5/8"
DIMENSIONS: 1/2" X 10" X 27"
FITS:
 Morris (OEM #H27900)



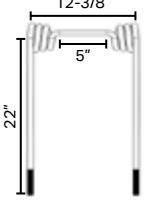
010-HAR-5628ML

COIL I.D.: 2-3/4"
DIMENSIONS: 9/16" X 11-7/16" X 28"
FITS:
 Rite Way (OEM #404-0028, 404-0035)



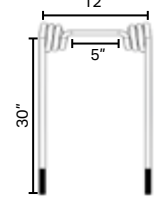
010-HAR-5028ML UNIVERSAL

COIL I.D.: 2-9/16"
DIMENSIONS: 1/2" X 12-3/8" X 22"
FITS:
 CNH/Flexi-Coil (OEM #87505461)
 Summers/Herman (OEM #8H1180S)



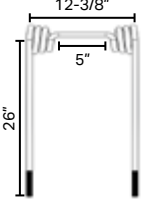
010-HAR-6230ML

COIL I.D.: 2-3/4"
DIMENSIONS: 5/8" X 12" X 30"
FITS:
 Degelman (OEM #143509)



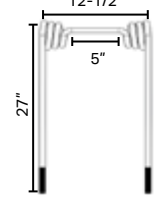
010-HAR-5029ML UNIVERSAL

COIL I.D.: 2-5/8"
DIMENSIONS: 1/2" X 12-3/8" X 26"
FITS:
 Summers (OEM #8H1184S)



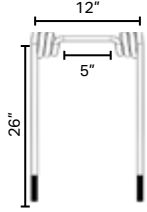
010-HAR-6250ML UNIVERSAL

COIL I.D.: 2-5/8"
DIMENSIONS: 5/8" X 12-1/2" X 27"
FITS:
 Bourgault (OEM #2070-70, 8606-13)
 Brandt (OEM #B021751, C516584)
 Gates (OEM #120229, 120230)
 Rite Way (OEM #404-0030)
 Summers/Herman (OEM #8H1195S)



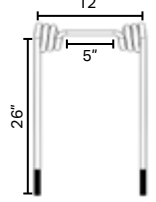
010-HAR-5625ML UNIVERSAL

COIL I.D.: 2-5/8"
DIMENSIONS: 9/16" X 12" X 26"
FITS:
 Bourgault/Delmar (OEM #2070-28)
 Brandt (OEM #B021750)
 Flexi-Coil (OEM #90081C, 87445314)
 Gates (OEM #120240, 120241)
 Pillar (OEM #212-033, 212-145)
 Rite Way (OEM #404-0010)
 Summers/Herman (OEM #8H1190S)



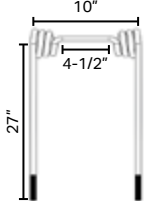
010-DEG-5626ML

COIL I.D.: 2-5/8"
DIMENSIONS: 9/16" X 12" X 26"
FITS:
 Degelman (OEM #143112, 143517)



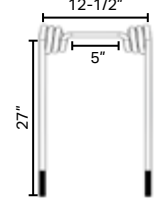
010-HAR-5627ML

COIL I.D.: 2-5/8"
DIMENSIONS: 9/16" X 10" X 27"
FITS:
 Morris (OEM #H49499)



010-DEG-6227ML

COIL I.D.: 2-5/8"
DIMENSIONS: 5/8" X 12-1/2" X 27"
FITS:
 Degelman (OEM #143113, 143507, 143516)



MAX LIFE™ Harrow Tine Quick Reference

Ask your BTT dealer for the latest additions to our lineup!

OEM	OEM NUMBER	DIMENSIONS	BTT PART NUMBER
BOURGAULT / DELMAR			
BOURGAULT	#2070-27	3/8" x 8" x 17"	010-HAR-3817ML
BOURGAULT / DELMAR	#2070-28	9/16" x 12" x 26"	010-HAR-5625ML Universal
BOURGAULT	#2070-70	5/8" x 12-1/2" x 27"	010-HAR-6250ML Universal
BOURGAULT 9500CP	#2070-76	1/2" x 8" x 20"	010-HAR-5008ML
BOURGAULT 6000 / DELMAR 5500	#2070-77	7/16" x 10" x 20"	010-HAR-4375ML
BOURGAULT / DELMAR	#2070-77-01	7/16" x 10" x 20"	010-HAR-4375ML
BOURGAULT XR770	#2070-79	1/2" x 10" x 22"	010-HAR-5001ML
BOURGAULT XR770	#2070-79-01	1/2" x 10" x 22"	010-HAR-5001ML
BOURGAULT	#8606-13	5/8" x 12-1/2" x 27"	010-HAR-6250ML Universal
BRANDT			
	#B021750	9/16" x 12" x 26"	010-HAR-5625ML Universal
	#B021751	5/8" x 12-1/2" x 27"	010-HAR-6250ML Universal
	#C516584	5/8" x 12-1/2" x 27"	010-HAR-6250ML Universal
CNH / FLEXI-COIL			
	#87505461	1/2" x 12-3/8" x 22"	010-HAR-5028ML Universal
	#90081C	9/16" x 12" x 26"	010-HAR-5625ML Universal
	#87445314	9/16" x 12" x 26"	010-HAR-5625ML Universal
DEGELMAN			
	#143101	3/8" x 9" x 16-5/8"	010-HAR-3818ML
	#143509	5/8" x 12" x 30"	010-HAR-6230ML
	#143112	9/16" x 12" x 26"	010-DEG-5626ML
	#143517	9/16" x 12" x 26"	010-DEG-5626ML
	#143113	5/8" x 12-1/2" x 27"	010-DEG-6227ML
	#143507	5/8" x 12-1/2" x 27"	010-DEG-6227ML
	#143516	5/8" x 12-1/2" x 27"	010-DEG-6227ML
ELMER'S			
	#21370	1/2" x 10" x 22"	010-HAR-5022ML
	#12137000	1/2" x 10" x 22"	010-HAR-5022ML
GATES			
	#120240	9/16" x 12" x 26"	010-HAR-5625ML Universal
	#120241	9/16" x 12" x 26"	010-HAR-5625ML Universal
	#120229	5/8" x 12-1/2" x 27"	010-HAR-6250ML Universal
	#120230	5/8" x 12-1/2" x 27"	010-HAR-6250ML Universal
JOHN DEERE			
	#N236516	1/2" x 12-1/4" x 20"	010-HAR-5020ML
	#N236890	7/16" x 9" x 16"	010-HAR-4309ML
MORRIS			
	#H27900	1/2" x 10" x 27"	010-HAR-5027ML
	#H49499	9/16" x 10" x 27"	010-HAR-5627ML
PILLAR			
	#212-033	9/16" x 12" x 26"	010-HAR-5625ML Universal
	#212-145	9/16" x 12" x 26"	010-HAR-5625ML Universal
RITE WAY			
	#404-0039	1/2" x 10" x 24"	010-HAR-5024ML
	#404-0010	9/16" x 12" x 26"	010-HAR-5625ML Universal
	#404-0028	9/16" x 11-7/16" x 28"	010-HAR-5628ML
	#404-0035	9/16" x 11-7/16" x 28"	010-HAR-5628ML
	#404-0030	5/8" x 12-1/2" x 27"	010-HAR-6250ML Universal
SALFORD			
	#R60000	1/2" x 10" x 20"	010-HAR-5000ML
SUMMERS / HERMAN			
	#8H1110S	3/8" x 8-1/4" x 14-1/2"	010-HAR-3814ML
	#8H1150S	3/8" x 9" x 17"	010-HAR-3819ML
	#8H1180S	1/2" x 12-3/8" x 22"	010-HAR-5028ML Universal
	#8H1184S	1/2" x 12-3/8" x 26"	010-HAR-5029ML Universal
	#8H1190S	9/16" x 12" x 26"	010-HAR-5625ML Universal
	#8H1195S	5/8" x 12-1/2" x 27"	010-HAR-6250ML Universal

NIAUX 200

BOOST
YOUR PERFORMANCE

BOOST YOUR PERFORMANCE

The research and development efforts in metallurgy and heat treatment have resulted in a line of coulters and disk blades that outperform the competition. Special boron-carbon steel along with our patented transitional heat treatment results in a consistently longer wearing blade with less dulling on the leading edge and without sacrificing durability. Niaux 200 is the disk blade of choice for leading OEMs and farmers around the world.

LONG-LASTING

Thanks to increased hardness in the working area, Niaux 200 disks have the longest lifespan on the market.

EFFECTIVE

Niaux 200 disk blades ensure a perfect cutting quality throughout their lifetime.

ROBUST

Niaux 200 disk blades are very resilient and are designed to resist extreme shocks and deformations.

Niaux 200 uses **patented technology** that has set a new **quality standard** in the field of agricultural disk blades. This range of products for seeders, disk harrows and tillage equipment represent a **great long-term investment**.

**Maximum hardness
& wear resistance**
(55-58 HRC)

Transition area
(50-55 HRC)

Maximum flexibility
(48-50 HRC)





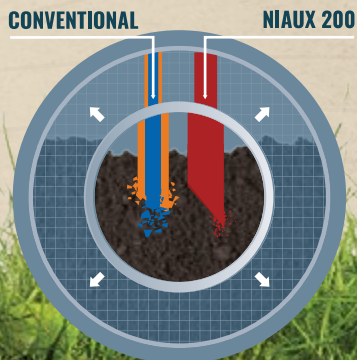
70 YEARS OF RESEARCH AND INNOVATION

Unrivaled know-how, listening to your requirements.

Our philosophy: develop ever more durable and innovative wear parts. The Niaux 200 quality that we offer today sets a new standard in the field of agricultural disk blades.

THE AUTO SHARPENING DISK BLADE

Quality of cut is a key factor in crop residue management. Thanks to the unique steel structure, Niaux 200 disk blades get sharper as they wear. The flawless steel structure and better wear resistance of Niaux 200 disk blades allow them to remain sharp in all conditions.



500-200-1025

FITS: AMITY / CONCORD

Replaces OEM Part #	34354
Disk Type	Flat Coultter
Dimensions	18" x 5mm
Pilot Hole Size	3.625"
# of Bolt Holes	4



500-200-1000

FITS: BOURGAULT

Bourgault MRB® III, 3720 Coultter Drill Original Manufacturer's Part

Replaces OEM Part #	2085-04
Disk Type	Flat Coultter Single Bevel
Dimensions	20-1/2" x 5mm
Pilot Hole Size	3.660"
# of Bolt Holes	4 Beveled Holes



926-PRG-1250



905-NRG-5000



500-200-1015

FITS: BOURGAULT

Bourgault MRB® ID, 3820 Coultter Drill Original Manufacturer's Part

Replaces OEM Part #	2085-05
Disk Type	Flat Coultter Single Bevel
Dimensions	20-1/2" x 5mm
Pilot Hole Size	3.660"
# of Bolt Holes	4



961-CRG-1005



905-NRG-5000

When ordering a full set of 500-200-1015, you will need 2 of the 500-200-1000 for the hitch/hinge assembly.



500-200-1005

FITS: CNH

Case: IH 500, 5w00T
NH: P2080 & P2085

Replaces OEM Part #	87488385
Disk Type	Flat Coultter
Dimensions	18" x 5mm
Pilot Hole Size	3.5"
# of Bolt Holes	4

All product and company names are trademarks™ or registered® trademarks of their respective holders. Use of them does not imply any affiliation with or endorsement by them. MRB®, Mid Row Banders®, and Mid Row Bander® are Trademarks of Bourgault Industries Ltd. & used with permission.



517-200-1020

FITS: CNH / DMI

CIH, DMI: 530C & 730C
CNH: 870 & 875
Salford: I-5100 & 5200

Replaces OEM Part #	87457566
Disk Type	Plain Concave
Dimensions	24.75" x 6.5mm
Pilot Hole Size	4"
# of Bolt Holes	5



517-200-1005

FITS: DEGELMAN

Pro-Till
 Original Manufacturer's Part

Replaces OEM Part #	143556
Disk Type	Plain Concave
Dimensions	20" x 6.5mm
Pilot Hole Size	N/A
# of Bolt Holes	4



517-200-1010

FITS: DEGELMAN

Pro-Till
 Original Manufacturer's Part

Replaces OEM Part #	143550
Disk Type	Plain Concave
Dimensions	18" x 6.5mm
Pilot Hole Size	N/A
# of Bolt Holes	4



517-200-1025

FITS: DEGELMAN

Pro-Till
 Original Manufacturer's Part

Replaces OEM Part #	143562
Disk Type	Plain Concave
Dimensions	22" x 6.5mm
Pilot Hole Size	N/A
# of Bolt Holes	4



522-200-1010

FITS: DEGELMAN

Pro-Till
 Original Manufacturer's Part

Replaces OEM Part #	143557
Disk Type	U Notch Concave
Dimensions	20" x 6.5mm
Pilot Hole Size	N/A
# of Bolt Holes	4



522-200-1020

FITS: DEGELMAN

Pro-Till
 Original Manufacturer's Part

Replaces OEM Part #	143553
Disk Type	Double V Notch Concave
Dimensions	20" x 6.5mm
Pilot Hole Size	N/A
# of Bolt Holes	4

AVAILABLE IN LATE 2024!
 BLADES TO FIT

AMAZONE
 Notched
 20" x 5mm

SPEED-TILLER / CASE IH
 Notched
 24" x 6.5mm

WISHEK
 Smooth
 28" x 8mm



522-200-1025

FITS: DEGELMAN

Pro-Till
Original Manufacturer's Part

Replaces OEM Part #	143566
Disk Type	Double V Notch Concave
Dimensions	22" x 6.5mm
Pilot Hole Size	N/A
# of Bolt Holes	4



522-200-1030

FITS: DEGELMAN

Pro-Till
Original Manufacturer's Part

Replaces OEM Part #	143563
Disk Type	U Notch Concave
Dimensions	22" x 6.5mm
Pilot Hole Size	N/A
# of Bolt Holes	4



510-200-1000

FITS: GREAT PLAINS

Turbo Chopper, Turbo-Max , Turbo Till & Turbo Till II

Replaces OEM Part #	820-011C
Disk Type	20 Wave RT Coultter
Dimensions	20.5" x 6.5mm
Pilot Hole Size	1.75" Round
# of Bolt Holes	N/A



511-200-1000

FITS: GREAT PLAINS

Vantage I Fertilizer Coultter, Zone Coultter & HD Utility Coultter

Replaces OEM Part #	820-215C
Disk Type	20 Wave RT Coultter
Dimensions	18" x 5mm
Pilot Hole Size	4"
# of Bolt Holes	4



500-200-1010

FITS: JOHN DEERE

JD 750, 752, 1560, 1590, 1690, 1850, 1860, 1890, 1890 CCS, 1895, 1990 & 1835 SFP Air Hoe, N500, N500F & H500F

Replaces OEM Part #	N283804
Disk Type	Flat Coultter
Dimensions	18" x 5mm
Pilot Hole Size	3"
# of Bolt Holes	4



517-200-1030

FITS: JOHN DEERE / NORWOOD

JD: 2680H
Norwood: Kwik-Till

Replaces OEM Part #	JD NS90340003 NW 18199A & 19028A
Disk Type	Plain Concave
Dimensions	20" x 6.5mm
Pilot Hole Size	N/A
# of Bolt Holes	4



522-200-1040

FITS: JOHN DEERE / NORWOOD

JD: 2680H

Norwood: Kwik-Till

Replaces OEM Part #	JD NS90340002 NW 18354A
Disk Type	Notched Concave
Dimensions	20" x 6.5mm
Pilot Hole Size	N/A
# of Bolt Holes	4



522-200-1000

FITS: LEMKEN

Heliodor 8

Replaces OEM Part #	3490471
Disk Type	Notched Concave
Dimensions	18" x 5mm
Pilot Hole Size	N/A
# of Bolt Holes	6



522-200-1005

FITS: LEMKEN

Rubin 9

Replaces OEM Part #	3490467
Disk Type	Notched Concave
Dimensions	24.625" x 6mm
Pilot Hole Size	N/A
# of Bolt Holes	5



522-200-1035

FITS: LEMKEN

Heliodor 9

Replaces OEM Part #	34910027
Disk Type	Notched Concave
Dimensions	20" x 5mm
Pilot Hole Size	N/A
# of Bolt Holes	4

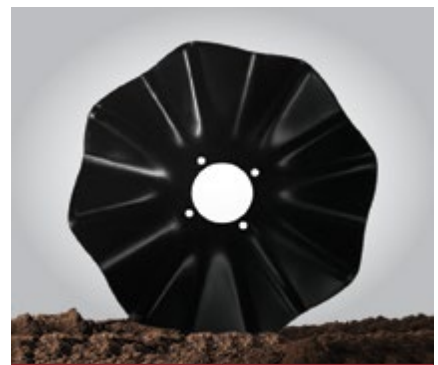


500-200-1020

FITS: PILLAR

DH Series

Replaces OEM Part #	206-007
Disk Type	Flat Coultter
Dimensions	18" x 5mm
Pilot Hole Size	3.625"
# of Bolt Holes	4

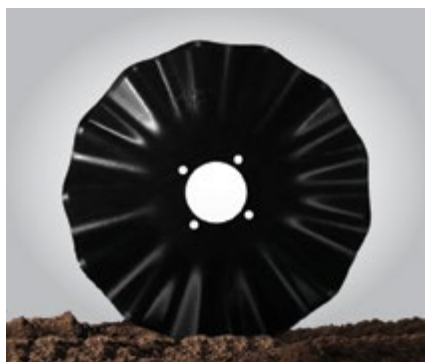


505-200-1000

FITS: SALFORD

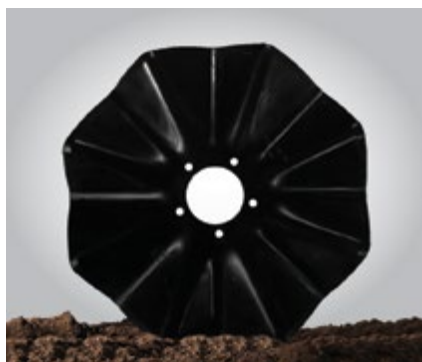
Salford I-1100 & I-1200

Replaces OEM Part #	10010764 & CT512008
Disk Type	8 Wave Coultter
Dimensions	20" x 4.5mm
Pilot Hole Size	4"
# of Bolt Holes	4

**505-200-1005****FITS: SALFORD**

Salford I-1100 & I-1200

Replaces OEM Part #	10010766 & CT512013
Disk Type	13 Wave Coulters
Dimensions	20" x 4.5mm
Pilot Hole Size	4"
# of Bolt Holes	4

**505-200-1010****FITS: SALFORD**Salford I-2100, I-2200 (all)
Salford I-4100 (back 2 rows)
Salford I-4200 (all but front row)

Replaces OEM Part #	10010768 & CT512208
Disk Type	8 Wave Coulters
Dimensions	21.75" x 5mm
Pilot Hole Size	4"
# of Bolt Holes	5

**505-200-1015****FITS: SALFORD**Salford I-2100, I-2200 (all)
Salford I-4100 (back 2 rows)
Salford I-4200 (all but front row)

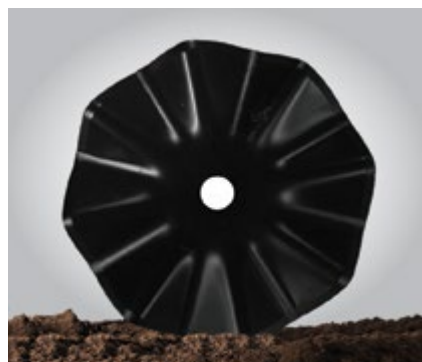
Replaces OEM Part #	CT512213 & 10010769
Disk Type	13 Wave Coulters
Dimensions	22.75" x 5mm
Pilot Hole Size	4"
# of Bolt Holes	5

**517-200-1015 & 1017****FITS: SALFORD / SUNFLOWER****Salford:** I-4100 (first 2 rows), I-4200 (front row) & I-5100 (all)
Sunflower: 4410, 4411, 4412, 4510, 4511 & 4530

Replaces OEM Part #	CT512250 & 10010771
Disk Type	Plain Concave
Dimensions	
517-200-1015	22.25" x 5mm
517-200-1017	22.25" x 6.5mm
Pilot Hole Size	4"
# of Bolt Holes	5

**517-200-1020****FITS: SALFORD / CNH / DMI****Salford:** I-5100 & 5200
CIH/DMI: 530C & 730C
CNH: 870 & 875

Replaces OEM Part #	CT503059 & 10010727
Disk Type	Plain Concave
Dimensions	24.75" x 6.5mm
Pilot Hole Size	4"
# of Bolt Holes	5

**505-200-1020****FITS: SUMMERS**Summers Super Coulters
& Coulters Chisel

Replaces OEM Part #	8J1020
Disk Type	8 Wave Coulters
Dimensions	20" x 6.5mm
Pilot Hole Size	2" Round
# of Bolt Holes	N/A



505-200-1025

FITS: SUMMERS

Summers Super Coulter & Coulter Chisel

Replaces OEM Part #	8J1021N
Disk Type	8 Wave Notch Coulter
Dimensions	22.5" x 6.5mm
Pilot Hole Size	2" Round
# of Bolt Holes	N/A



515-200-1000

FITS: SUMMERS

Summers DK Series Disk

Replaces OEM Part #	8K5026
Disk Type	Plain Concave
Dimensions	26.25" x 6.5mm
Pilot Hole Size	2" Round
# of Bolt Holes	N/A



521-200-1000

FITS: SUMMERS

Summers DT Series Disk

Replaces OEM Part #	8K5025N
Disk Type	Notched Concave
Dimensions	25" x 8mm
Pilot Hole Size	2" Round
# of Bolt Holes	N/A



500-200-1030

FITS: YETTER / AGPRO

Replaces OEM Part #	Yetter 2571-169
Disk Type	Flat Coulter
Dimensions	18" x 4.5mm
Pilot Hole Size	3.9375"
# of Bolt Holes	4

150 Series Standard Grade Disk Blades

Our 150 series disk blades are manufactured of boron steel, designed to wear and perform similar to many OEM & other service part disk blades. Full replacement warranty on manufacturer defects, and 3 year pro-rated warranty on breakage.

PART #	FITS	REPLACES OEM PART NUMBER
500-150-1000	Bourgault MRBIII, 20.5" x 5mm	2085-04
500-150-1005	CNH Seed Drills, 18" x 5mm	87488385
500-150-1010	JD Seed Drills, 18" x 5mm	N283804
505-150-1000	Salford, 20" x 4.5mm 8 Wave	10010764 & CT512008
505-150-1005	Salford, 20" x 4.5mm 13 Wave	10010766 & CT512013
505-150-1010	Salford, 22" x 5mm 8 Wave	10010768 & CT512208
505-150-1015	Salford, 22" x 5mm 13 Wave	10010769 & CT512213
517-150-1030	JD/Norwood, 20"x 6.5mm Plain, Rep.	JD NS90340003, NW 18199A &19028A
522-150-1040	JD/Norwood, 20"x 6.5mm Notched	JD NS90340002, NW 18354A
517-150-1005	Degelman Pro-Till, 20"x 6.5mm Plain	143556
517-150-1025	Degelman Pro-Till, 22"x 6.5mm Plain	143562
522-150-1010	Degelman Pro-Till, 20"x 6.5mm Notched	143557
522-150-1030	Degelman Pro-Till, 22"x 6.5mm Notched	143563

CHECK WITH YOUR DEALER ON AVAILABILITY

Can't find the disk you're looking for?
Contact us to chat with a BTT team member!

For the most current list of disk options, visit tillagetools.ca.

MAX LIFE

WELDABLE WEAR STRIPS



EXTENDED WEAR PART LIFE. EXCEPTIONAL VALUE.

Built to extend the life of your wear parts, where you need it, when you need it.

MAX LIFE weldable wear strips are made using the same weld-infused embedded tungsten carbide found on our harrow tines.

They have a 3/16" base and are available in multiple sizes.

Use a full strip or break them into tiles.

5

SIZES
AVAILABLE

CUSTOM WEAR PROTECTION. MORE POTENTIAL.

MAX LIFE Weldable Wear Strips can be heated and bent to protect curved areas, increasing the usage scenarios on a wide range of machines and ground engaging tools. It's ideal for combating sliding wear, preventing thinning, or "washing" and in situations where brazing is not an option, and hard facing is too slow. Machines that most commonly use wear strips are seed drills, subsoilers, cultivators, ploughs, manure spreaders, root harvesters, sugar cane harvesters, buckets, mowers, augers, and scrapers.

OTHER SIZES AVAILABLE UPON REQUEST.

Unique Farms. Unique Needs.

Our line of specialty products is always expanding. Tell us what you'd like to see!



010-WWS-0662

WELDABLE WEAR STRIP

SIZE: 7.6" long x 0.6" wide, divided into 6 tiles.

OVERVIEW: Heat, bend and protect flat or curved surfaces on various machines and ground engaging tools such as seed drills, subsoilers, ploughs, cultivators, buckets, manure spreaders, root harvesters, mowers, augers and scrapers.



010-WWS-1202

WELDABLE WEAR STRIP

SIZE: 8" long x 0.5" wide, divided into 2 tiles.

OVERVIEW: Heat, bend and protect flat or curved surfaces on various machines and ground engaging tools such as seed drills, subsoilers, ploughs, cultivators, buckets, manure spreaders, root harvesters, mowers, augers and scrapers.



010-WWS-1509

WELDABLE WEAR STRIP

SIZE: 7.5" long x 0.6" wide, divided into 9 tiles.

OVERVIEW: Heat, bend and protect flat or curved surfaces on various machines and ground engaging tools such as seed drills, subsoilers, ploughs, cultivators, buckets, manure spreaders, root harvesters, mowers, augers and scrapers.



010-WWS-2506

WELDABLE WEAR STRIP

SIZE: 9.5" long x 1" wide, divided into 6 tiles.

OVERVIEW: Heat, bend and protect flat or curved surfaces on various machines and ground engaging tools such as seed drills, subsoilers, ploughs, cultivators, buckets, manure spreaders, root harvesters, mowers, augers and scrapers.



010-WWS-9520

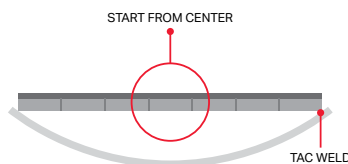
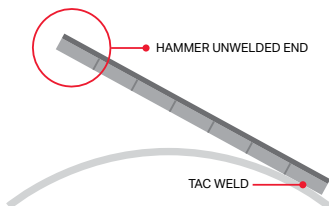
WELDABLE WEAR STRIP

SIZE: 9.5" long x 2" wide, divided into 6 tiles.

OVERVIEW: Heat, bend and protect flat or curved surfaces on various machines and ground engaging tools such as seed drills, subsoilers, ploughs, cultivators, buckets, manure spreaders, root harvesters, mowers, augers and scrapers.

Cost Effective Solution

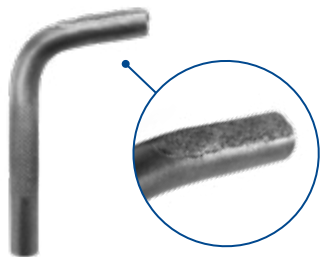
Investing in weldable wear strips can provide significant cost savings in the long run. By protecting expensive equipment and machinery from wear and damage, they help avoid costly repairs, replacements, and downtime.



See page 117 for installation instructions

Unique Farms. Unique Needs.

Our line of specialty products is always expanding. Tell us what you'd like to see!



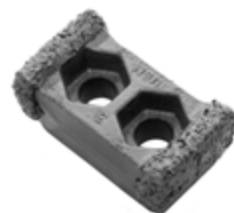
010-BTP-0750

THRESHING PIN

FITS: Pickett Equipment & Colombo

OVERVIEW: A milled pocket on the threshing pin keeps the *MAX LIFE™* embedded carbide deposit close to flush with the profile of the pin, preventing seed damage. The fine grit of the carbide coating handles crops gently but wears much longer than standard threshing pins.

NOTES: Use existing hardware to install pins.



702-DEG-0012

MANURE SPREADER WEAR TIPS

FITS: Degelman M SERIES Manure Spreader

REPLACES OEM#: 246693

OVERVIEW: Wear tip with *MAX LIFE™* embedded carbide is applied to high wear areas.

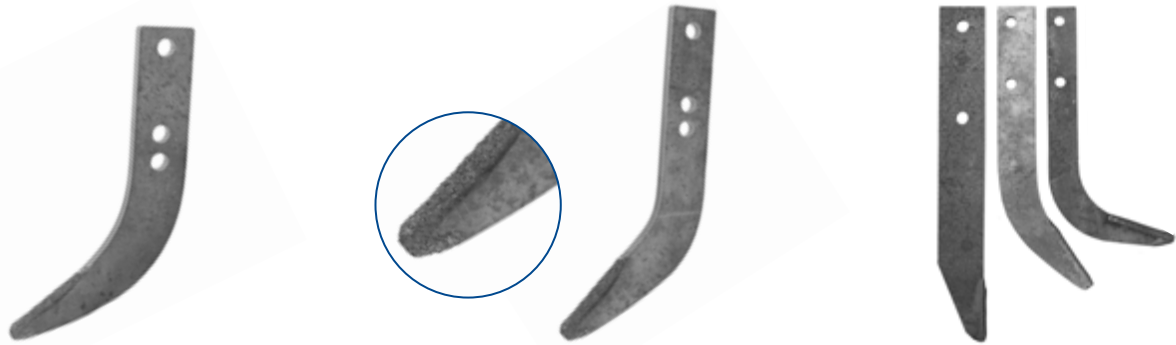


We ran the *MAX LIFE* Threshing Pins as a demo to see if we could get more life out of our pins. The pins ran for 800 acres, and we found we had to switch out competitors' pins twice and were still running the *MAX LIFE* ones. Using the *MAX LIFE* pins means better quality threshing with less time and cost on maintenance.

Tim van der Hoek, Alberta, Canada

Unique Farms. Unique Needs.

Our line of specialty products is always expanding. Tell us what you'd like to see!



010-PHT-9010 UNIVERSAL

POWER HILLER TINES

FITS: Struik and Baselier

SIZE: 8-3/4"

OVERVIEW: Bolt-on, universal short length tine is more durable than tile carbide in rocky conditions.

Laser cut from hardened steel with *MAX LIFE™* weld-infused embedded tungsten carbide applied to the leading edge for a longer wear life.

NOTES: Use existing hardware to install.

010-PHT-9015 UNIVERSAL

POWER HILLER TINES

FITS: Baselier and AVR

SIZE: 11"

OVERVIEW: Bolt-on, universal medium length tine is more durable than tile carbide in rocky conditions.

Laser cut from hardened steel with *MAX LIFE™* weld-infused embedded tungsten carbide applied to the leading edge for a longer wear life.

NOTES: Use existing hardware to install.

ADDITIONAL OPTIONS

POWER HILLER TINES

MAX LIFE™ Power Hiller Tines are available in a variety of lengths to fit Struik, AVR, Baselier, Grimme, Bau-Man and more.

Our line-up is always expanding!

Ask your BTT Dealer about current power tillage tine options or contact our team with your suggestions.



Accessories & Reference



047-ACC-1001	047-ACC-1002	047-CAP-1001	100-WDG-0700	200-WDG-0206	200-WDG-0506	200-WDG-1000
Helps direct the flow of seed in a focused row behind the 047-ASY-1000, 047-ASY-1005P, or 675 Series openers.	2-1/4" center to center hole spacing. Allows you to adapt to any shank with an open bottom hole. Keeps the bottom bolt in place on the John Deere 1820, 1830 & 2410.	This cap is a replacement cap for 047-ASY-1000 and 047-ASY-1005P. See expanded assemblies for the right cap for your opener.	This 7° urethane wedge is designed to correct the pitch of 100-QCA-5010 and 200-QCA-5010 adapters on 43° shanks.	This 2° urethane wedge has 45-80mm bolt hole spacing. It is used to obtain proper sweep pitch on certain shanks.	This 5° urethane wedge has 45-80mm bolt hole spacing. It is used to obtain proper sweep pitch on certain shanks.	This 10° urethane wedge has 45-80mm bolt hole spacing. It is used to obtain proper sweep pitch on certain shanks.



200-WDG-1006	400-WDG-0300	400-WDG-0700	880-WDG-0300	880-WDG-0301	600-HHA-0750	614-ACC-1000
This 10° urethane wedge has 45-80mm bolt hole spacing. It is used to obtain proper sweep pitch on certain shanks.	This 3° urethane wedge is designed to correct the pitch of 410-QCA-5010 adapters on a 47° chisel plow shank, as well as the 50° bolt-on sweeps.	This 7° urethane wedge is designed to correct the pitch of 410-QCA-5010 adapters when installing on a 43° shank. It should also be used with the 600 Series knives when installing on a 43° shank.	This cast wedge adapter is designed for our 047, 610 and 612 seeding openers on all John Deere shanks.	This cast wedge adapter is designed for our 047, 610 and 612 seeding openers on all 50° curved bottom shanks, excluding John Deere.	This stainless steel hose holder mounts on any C-shank to hold the NH3 hose in place. It is completely height adjustable.	This bushing is necessary when using NH3 with the 614-TIP-2711 and 614-TIP-2712.



650-ACC-1000	650-ACC-1010	680-ACC-0001	680-ACC-0004	680-ACC-1000	694-ACC-1000	880-ASY-1010
This bracket limits the tripping distance of 650 fertilizer knives on JD 1870 Conserva Pak drills. Use with all fertilizer knives excluding: 650-HLD-1000GL & 650-HLD-1000GN	This bracket limits the tripping distance of 650 fertilizer knives on JD 1870 Conserva Pak drills. Use with 650-HLD-1000GL & 650-HLD-1000GN knives.	This spacer plate is required for the Concord when installing any edge on product.	This conversion tab replaces the fertilizer tube on the 680-HLD-2000 so it can be converted to a single shoot opener.	Helps direct the flow of seed in a focused row behind 680-ASY-1000 openers. Use with openers prior to 2012.	This spacer is required when installing Titan Openers on anything except Concord.	This assembly is required to convert the standard 3/16" (5mm) O.D. liquid phos hose to 1/4" I.D. liquid phos delivery hoses on 047-ASY-1005P and 680-ASY-1000P.



880-BAR-3750	300-BSH-1200	880-BSH-1000	880-BSH-1003	880-BSH-1130	880-BSH-1150	880-BSH-1170
3/8" barb & 1/8" NPT coupler assembly used to convert standard 1/2" NH3 knives to fit a fertilizer hose with 3/8" ID. The 1/8" NPT fitting threads into the 1/2" Standard NH3 pipe and the 3/8" barb then fits the 3/8" ID fertilizer hose.	This bushing adapts air hoses from a 1-1/8" (28mm) O.D. hose up to a 1-1/4" (32mm) O.D. hose.	This bushing is to be used with all VOS tips.	This bushing is part of the 880-TUB-1011 & 880-TUB-1012 Fertilizer (Aqua NH3 + P) inserts. The bushings are used to center the Aqua NH3 & P pipes in the tips of the 'VOS' Triple Shoot knife assemblies.	This bushing is required when using 1-1/8" (28mm) O.D. hose.	This bushing adapts air hoses from a 1-1/4" (32mm) O.D. hose up to a 1-1/2" (38mm) O.D. hose.	This bushing adapts 1-1/2" (38mm) O.D. hose to a 1-1/4" (32mm) hose.

						
880-BSH-2000	880-CPL-1010	880-CPL-2500	880-ORF-0001	880-GRD-1000	880-GRD-1010	880-HCL-0001

This bushing is to be used on John Deere split shanks with bolt ons and QCAs.

This barb and compression fitting is used when going from 1/4" (6mm) I.D. liquid phos tube to 3/16" stainless steel liquid phos tubes.

This coupler is used to attach a 1/4" (6mm) O.D. liquid phos tube. Included with all new liquid phos openers.

This orifice is used to concentrate and direct the flow of liquid fertilizer on 200-VRT-1061 and 200-KNF-0863.

This guard is used to protect liquid hose on all side band liquid openers in heavy trash conditions.

This guard is used to protect liquid phos tubes on 047 & 680 liquid phos openers in heavy trash conditions.

This clip eliminates hose movement, as the sharp corners embed into the granular pipe.

						
880-HCL-0004	200-BNC-3100	300-BNC-4414	600-BNC-5000	200-ASY-0001	905-NRG-5000	926-PRG-1250

This 3/4" ear clamp is used to secure the rubber sleeve to the 1/2" pipe to protect the liquid phos tube.

Bolt and nut combo used to secure single shoot, paired row and side band tips onto holders. The bolt and nut should be changed when changing the tip. Over torquing will result in difficulty when removing.

Bolt and nut combo used to secure 600 series tips onto the 410, 599, 600 & 602 Series knife holders. Nut and bolt can be ordered separately. The bolt and nut should be changed when changing the tip to maintain locking ability of the nut.

Bolt and nut combo used to secure 600 series tips onto the 410, 599, 600 & 602 Series knife holders. Nut and bolt can be ordered separately. The bolt and nut should be changed when changing the tip to maintain locking ability of the nut.

This replacement rear assembly works with all Non-Freeze NH3 Speed-Loc™ fertilizer knives.

This 1/2" Flange Nut is used on disk blade 500-200-1000. Used with 926-PRG-1250. Serrated, Grade 5

This Plow Bolt is used on disk blade 500-200-1000. Used with 905-NRG-5000. 1/2" x 1.25" UNC long shoulder

	
946-HRG-3754	961-CRG-1005

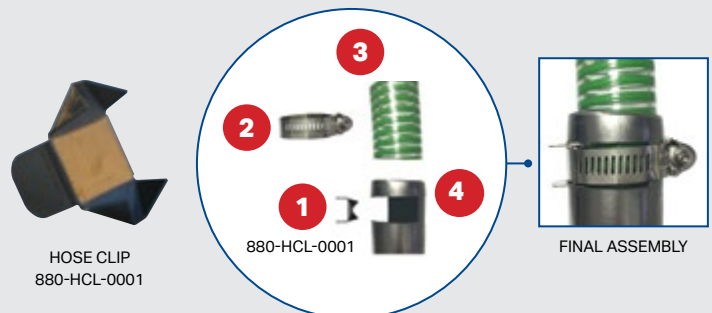
This 1/2" x 3-3/4" Shoulder Bolt is used on harrow tines 010-HAR-5001ML, 010-HAR-5008ML, 010-HAR-5625ML, 010-HAR-5628ML, 010-HAR-6250ML. Grade 5

This 1/2" x 1" Carriage Bolt is used on disk blade 500-200-1015. Used with 905-NRG-5000. Grade 5

Hoses popping out?

Don't forget the hose clip.

This clip eliminates hose movement, as the sharp corners embed into the granular pipe. See illustration to right for proper installation.



C-shank

For 600 & 620 Series Openers

- Use 1/2" Hex Head Grade 8 Bolt.
- Blue Loctite is also recommended

Torque Shank Bolts to 120-130 ft/lbs.

For 047-ASY-1000, 610 & 612 Series Openers

- **1" Shanks** use 1/2" x 2" Grade 8 Carriage Bolt (961-CRG-2005)
- **1-1/4" Shanks** use 1/2" x 2-1/4" Grade 8 Carriage Bolt (961-CRG-2255)
- **50° Shanks other than Bourgault or Ezee-On** require a cast wedge adapter (880-WDG-0300 or 880-WDG-0301). See page 114.

When using wedges, different bolt lengths are required

- **1" Shanks** use 1/2" x 2-1/4" Grade 8 Bolt (961-CRG-2255)
- **1-1/4" Shanks** use 1/2" x 2-1/2" Grade 8 Bolt (961-CRG-2505)
- **1/2" Stover Lock Nuts** (906-NPT-5005)

Torque Shank Bolts to 80-100 ft/lbs.

For 047-VRT-1040 & 047-KNH-1000 Openers

- **1" Shanks** use 1/2" x 2" Plow Bolts c/w lock washer and regular nut
- **7/8" and 3/4" Shanks** use 1/2" x 1-3/4" Plow Bolts c/w lock washer and regular nut

Edge On

For Bourgault 3310 & 3320 Edge On Shank, PLS & PLX

- **Use 3/8" x 2-1/4" Grade 8 Carriage Bolts** (960-CRG-3755)
- **Use 3/8" Stover Lock Nut** (906-NPT-3755)

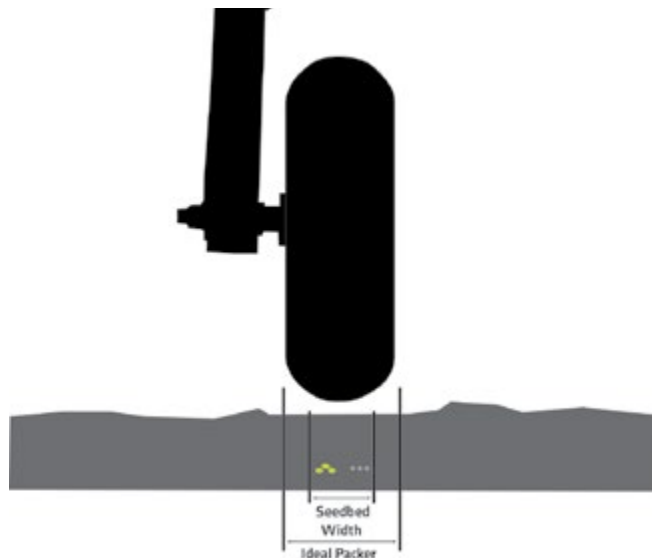
For Morris Maxim Edge On Shank

- **Use 3/8" x 2-1/4" Grade 8 Carriage Bolts** (960-CRG-3755)
- **Use 3/8" Stover Lock Nut** (906-NPT-3755)

For more detailed installation instructions refer to the individual part pages.

Packing Considerations

On-row packing is recommended to achieve good soil to seed contact for even germination. Generally, the packer wheel width should be equal to, or greater than, the width of the tip on the opener. The ideal result is a uniform depth of firm soil over the full seed row.

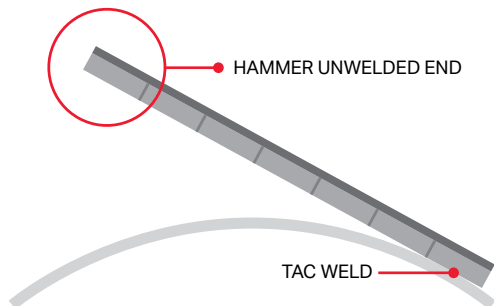


MAX LIFE™ Weldable Wear Strips Installation

Always clean the surface that the wear bar will be welded to, ensuring it's as flat and clean as possible. Tack weld the bar into position, then stitch weld in 2" length runs, alternating ends, or similar to minimize heat input.

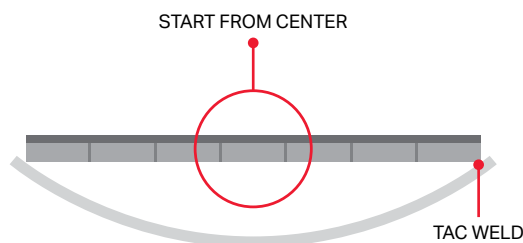
FOR OUTSIDE CURVES

Tack weld one end of the bar to the surface in at least three places, using a minimum of 1/2" weld in each deposit. Hammer down the unwelded end of the bar to form the curved surface (see top illustration). Stitch weld until the bar is firmly secured.



FOR INSIDE CURVES

Tack weld one end of the bar to the surface using a minimum of 1/2" weld in each deposit. Starting from the center, hammer down the bar to form the curved surface (see bottom illustration). Stitch weld until the bar is firmly in place.



Richmond Brothers Equipment Bolt On Shovel Installation

Clean shank free of dirt and rust. Use 7/16 bolts Grade 5 or higher. Use nylock or stover style lock nuts. For 7" and 9" shovels, ensure that the mounting pads are the ONLY contact point between shank and shovel. Torque spec is 42ft lbs. Re-torque nuts after approximately 200-300 acres. For the best results and performance of our products, ensure that tool is level front to back.

Do not use 1/2" impact driver or larger power tools to install. Abide by torque specification above. Do not let the entire weight of the cultivator rest on shovels while on a hard surface (concrete, frozen ground, etc.).

For further information on installation, handling, and replacements, don't hesitate to contact your local dealer or Richmond Brothers Equipment at 989.453.7097.

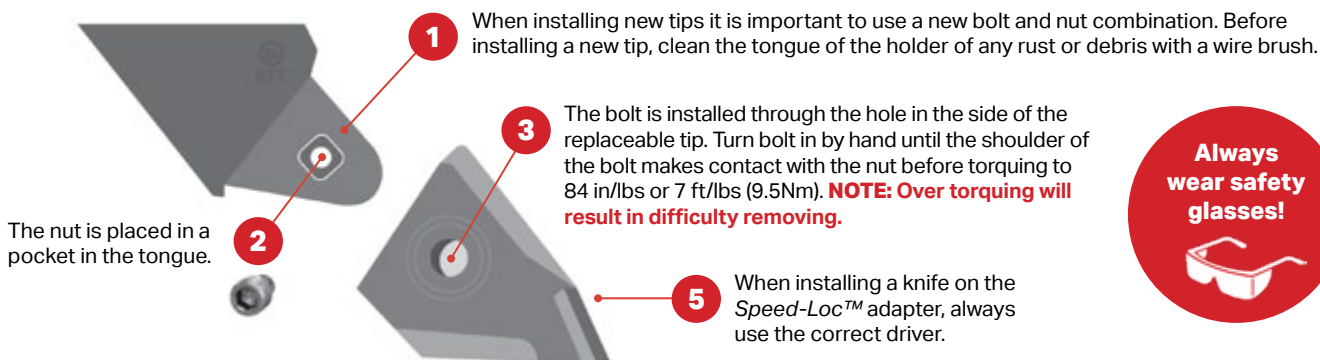
Replaceable Tips Installation & Removal

The tongue and groove configuration of replaceable tips allow customers to change tips as they wear out, instead of the whole opener. You can also change tip sizes if conditions change in your operation.

TIP REMOVAL

If a worn out tip is seized on the tongue, you can use two 3lb hammers, one to support the side of the boot and the other to strike the opposite side of the tip to break the side wall.

There are several things to keep in mind when changing or installing new tips:



Always wear safety glasses!



Bolt & Nut Part Numbers

DESCRIPTION	SIZE	PART #
Carriage Bolt – Grade 8	3/8" x 1-1/2"	960-CRG-1505
Carriage Bolt – Grade 8	3/8" x 1-3/4"	960-CRG-1755
Carriage Bolt – Grade 8	3/8" x 2-1/4"	960-CRG-3755
Carriage Bolt – Grade 5	1/2" x 1"	961-CRG-1005
Carriage Bolt – Grade 8	1/2" x 2"	961-CRG-2005
Carriage Bolt – Grade 8	1/2" x 2-1/4"	961-CRG-2255
Carriage Bolt – Grade 8	1/2" x 2-1/2"	961-CRG-2505
Carriage Bolt – Grade 8	7/16" x 1-3/4"	962-CRG-1755
Hex Head Bolt	1/4" x 3/4"	942-HRG-0754
Hex Head Bolt	1/4" x 2"	942-HRG-2004
Hex Head Bolt - Grade 8	3/8" x 2"	944-HRG-2005
Hex Head Bolt - Grade 8	7/16" x 1-1/2"	945-HRG-1505
Hex Head Bolt	1/2" x 1-3/4"	946-HRG-1754
Hex Head Bolt	1/2" x 2-3/4"	946-HRG-2754
Hex Head Bolt	1/2" x 3"	946-HRG-3004
Hex Head Bolt	1/2" x 3-1/4"	946-HRG-3254
Hex Head Bolt	1/2" x 3-1/2"	946-HRG-3504
Hex Head Bolt – Grade 8	1/2" x 2"	946-HRG-2005
Hex Head Bolt – Grade 8	1/2" x 2-1/4"	946-HRG-2255
Hex Head Bolt – Grade 8	1/2" x 2-1/2"	946-HRG-2505
Hex Head Bolt – Gr. 5 Shld Blt	1/2" x 3-3/4"	946-HRG-3754
Hex Head Bolt – Grade 8	5/8" x 2-1/2"	948-HRG-2505
Hex Head Bolt – O/S Hd Shld Blt	7/16" x 1-3/4"	933-HOS-1754
Hex Head Bolt – O/S Hd Shld Blt	7/16" x 2"	933-HOS-2004
Lock Nut – Stover	1/4"	906-NPT-2505
Lock Nut – Stover	3/8"	906-NPT-3755
Lock Nut – Stover	7/16"	906-NPT-4375
Lock Nut – Stover	1/2"	906-NPT-5005
Lock Nut – Stover	5/8"	906-NPT-6255

DESCRIPTION	SIZE	PART #
Lock Nut - Nylon Insert	1/4"	908-NNI-2504
Lock Washer	1/2"	902-LWS-5000
Nut – Grade 5	7/16"	904-NRG-4374
Nut – Grade 5	1/2"	904-NRG-5004
Flanged Lock Nut - Grade 5	1/2"	905-NRG-5000
Flanged Lock Nut	3/8"	907-NPF-3755
Flanged Lock Nut	7/16"	907-NPF-4375
Flanged Lock Nut	1/2"	907-NPF-5005
Plow Bolt	1/2" x 1-1/4"	926-PRG-1250
Plow Bolt	1/2" x 1-3/4"	926-PRG-1754
Plow Bolt	1/2" x 2"	926-PRG-2004
Plow Bolt	1/2" x 2-1/4"	926-PRG-2254
Plow Bolt	1/2" x 2-1/2"	926-PRG-2504
Plow Bolt	1/2" x 2-3/4"	926-PRG-2754
Plow Bolt	1/2" x 3"	926-PRG-3004
Plow Bolt	1/2" x 3-1/2"	926-PRG-3504
Plow Bolt – O/S Hd Low Shld	3/8" x 1-1/2"	922-POL-1504
Plow Bolt – O/S Hd Low Shld	3/8" x 1-3/4"	922-POL-1754
Plow Bolt – O/S Hd Low Shld	3/8" x 2"	922-POL-2004
Plow Bolt – O/S Hd	3/8" x 2-1/4"	922-POR-2254
Plow Bolt – O/S Hd Low Shld	7/16" x 1-3/4"	924-POL-1754
Plow Bolt – O/S Hd	7/16" x 2"	924-POR-2004
Plow Bolt – O/S Hd	7/16" x 2-1/4"	924-POR-2254
Plow Bolt – O/S Hd	7/16" x 2-1/2"	924-POR-2504
Plow Bolt – O/S Hd	7/16" x 2-3/4"	924-POR-2754
Plow Bolt – O/S Hd	7/16" x 3"	924-POR-3004
Screw – Pan Head	3/8"	911-SCR-1038
Screw – Self Drill	1/2"	911-SCR-1051

LEGEND: O/S Hd = Oversized Head Low Shld = Low Shoulder Shld Blt = Shoulder Bolt

200-QCA-4700 Speed-Loc™ Quick Change Adapter

APPLICATION	TOP BOLT	BOTTOM BOLT	SPECIAL NOTES
1" Bourgault shank w/o seed boot	1/2" x 2-1/4" no lock washer	1/2" x 2-1/4" no lock washer	Hex head bolts
1" Bourgault shank w/ round tube Bourgault seed boot	1/2" x 2-1/4" no lock washer	1/2" x 2" no lock washer	Hex head bolts, Grade 8 required
1" Bourgault shank w/ square tube Bourgault seed boot	1/2" x 2" no lock washer	1/2" x 2-1/2" no lock washer	Hex head bolts, Grade 8 required
7/8" Bourgault shank w/o seed boot	1/2" x 2" no lock washer	1/2" x 2" no lock washer	Hex head bolts
7/8" Bourgault shank w/ round tube Bourgault seed boot	1/2" x 2-1/4" no lock washer	1/2" x 2" no lock washer	Hex head bolts, Grade 8 required
7/8" Bourgault shank w/ square tube Bourgault seed boot	1/2" x 2-1/4" no lock washer	1/2" x 2" no lock washer	Hex head bolts, Grade 8 required
3/4" Bourgault shank w/o seed boot	1/2" x 2" no lock washer	1/2" x 2" no lock washer	Hex head bolts
3/4" Bourgault shank w/ round tube Bourgault seed boot	1/2" x 2" c/w with lock washer	1/2" x 1-3/4" no lock washer	Hex head bolts
3/4" Bourgault shank w/ square tube Bourgault seed boot	1/2" x 2-1/4" w/ lock washer	1/2" x 1-3/4" no lock washer	Hex head bolts
3/4" Ezee-On shank w/o seed boot	7/16" x 1-3/4"	7/16" x 1-3/4"	Hex head bolts ³
7/8" Ezee-On shank w/o seed boot	7/16" x 2"	7/16" x 2"	Hex head bolts ³

NOTES: 1) Above bolt lengths are determined using prevailing torque side lock nuts – Grade C. This special locknut is necessary to keep the adapter tight. It is very important to use it, especially in stony or hard ground conditions. 2) Grade 8 bolts are required with the Bourgault 7/8" and 1" shanks where seed boots are involved. If not used, bolt loosening may occur. 3) Shanks with 7/16" holes require the special oversize (O/S) head hex bolt.

200-QCA-4710 Speed-Loc™ Quick Change Adapter

APPLICATION	TOP BOLT	BOTTOM BOLT	SPECIAL NOTES
3/4" and 7/8" Flexi-Coil shank w/o seed boot	7/16" x 2-1/4" no lock washer	7/16" x 2-1/4" no lock washer	Plow bolt ²
7/8" Flexi-Coil shank w/ 5649 seed boot	7/16" x 2-1/2" no lock washer	7/16" x 3-7/8" no lock washer	Plow bolt ²
1/2" Morris Challenger shank w/o seed boot	3/8" x 1-3/4" no lock washer	3/8" x 1-3/4" no lock washer	Plow bolt ²
5/8" Morris Challenger shank w/o seed boot	3/8" x 2" no lock washer	3/8" x 2" no lock washer	Plow bolt ²
7/8" Morris shank w/o seed boot	7/16" x 2-1/4" no lock washer	7/16" x 2-1/4" no lock washer	Plow bolt ²
9/16" CIL shank w/o seed boot	3/8" x 2" no lock washer	3/8" x 2" no lock washer	Plow bolt ²
5/8" John Deere shank w/o seed boot	7/16" x 2" no lock washer	7/16" x 2" no lock washer	Plow bolt ²
3/4" Degelman shank	7/16" x 2-1/4" no lock washer	7/16" x 2-1/4" no lock washer	Plow bolt ²
9/16" Wil-Rich shank w/o seed boot	1/2" x 2" no lock washer	1/2" x 2" no lock washer	Plow bolt

200-QCA-5010 Speed-Loc™ Quick Change Adapter

APPLICATION	TOP BOLT	BOTTOM BOLT	SPECIAL NOTES
1" shank w/o seed boot or wedge	1/2" x 2-1/2" w/ lock washer	1/2" x 2-1/2" w/ lock washer	Plow bolt
1-1/4" shank w/o seed boot or wedge	1/2" x 2-3/4" w/ lock washer	1/2" x 2-3/4" w/ lock washer	Plow bolt

NOTES: **1)** Above bolt lengths are determined using prevailing torque side lock nuts – Grade C. This special locknut is necessary to keep the adapter tight. **2)** Shanks with 3/8" and 7/16" holes require special oversize (O/S) head plow bolts. **3)** When bolting a seed boot, usually it is the bottom bolt which bolts the seed boot to the shank; the top bolt should remain the same length as listed above. If the seed boot cross section at the point the bolt goes through is 1/8" thick or less, use the same bolt length as above without the lock washer. If the seed boot cross section at the point the bolt goes through is greater than 1/8", increase bolt length by adding the measured cross section of the seed boot at the point the bolt goes through to the above lengths.

410-QCA-5000 Speed-Loc™ Quick Change Adapter

APPLICATION	TOP HOLE	BOTTOM HOLE	SPECIAL NOTES
1" Bourgault shank w/o seed boot	1/2" x 2-1/2"	1/2" x 2-1/2"	Hex head
1" Bourgault shank w/ Bourgault splitter seed boot 6505-42	1/2" x 2-1/2"	1/2" x 2-3/4"	Hex head
1-1/4" Bourgault shank w/o seed boot	1/2" x 2-3/4"	1/2" x 2-3/4"	Hex head
1-1/4" Bourgault shank w/ Bourgault splitter seed boot 6505-42	1/2" x 2-3/4"	1/2" x 3"	Hex head

410-QCA-5010 Speed-Loc™ Quick Change Adapter

APPLICATION	TOP HOLE	BOTTOM HOLE	SPECIAL NOTES
1" shank w/o seed boot or wedge	1/2" x 2-1/2"	1/2" x 2-1/2"	Hex head
1-1/4" shank w/o seed boot or wedge	1/2" x 2-3/4"	1/2" x 2-3/4"	Hex head

410-QCA-5080 Speed-Loc™ Quick Change Adapter

APPLICATION	TOP HOLE	BOTTOM HOLE	SPECIAL NOTES
1-1/4" John Deere shank w/o seed boot or wedge	1/2" x 3"	1/2" x 3"	Hex head

NOTES: **1)** Above bolt lengths are determined using prevailing torque side lock nuts – grade C. This special locknut is necessary to keep the adapter tight. **2)** When bolting a seed boot, usually it is the bottom bolt which bolts the seed boot to the shank; the top bolt should remain the same length as listed above. If the seed boot cross section at the point the bolt goes through is 1/8" thick or less, use the same bolt length as above without the lock washer. If the seed boot cross section at the point the bolt goes through is greater than 1/8", increase bolt length by adding the measured cross section of the seed boot at the point the bolt goes through to the above lengths. **3)** When bolting an adapter using a wedge, a wedge will only be used when using the 410-QCA-5010 adapter on 43° and 47° chisel plows. Measure the cross section of the wedge at both bolt holes and add this amount to the above numbers. Remember that the measured cross section will be different at each hole in the wedge.

047 Series Bolt-On Sweeps

Light & Medium-Duty Cultivators

APPLICATION	TOP BOLT	BOTTOM BOLT	SPECIAL NOTES
1" Bourgault shank w/o seed boot	1/2" x 2"	1/2" x 2"	Plow bolts, no lock washer, regular nut
1" Bourgault shank w/ Bourgault round tube seed boot	1/2" x 2"	1/2" x 2"	Plow bolts, no lock washer, regular nut
1" Bourgault shank w/ Bourgault square tube seed boot	1/2" x 2-1/4"	1/2" x 2"	Plow bolts, no lock washer, regular nut
7/8" Bourgault shank w/o seed boot	1/2" x 1-3/4"	1/2" x 1-3/4"	Plow bolts, no lock washer, regular nut
7/8" Bourgault shank w/ Bourgault round tube seed boot	1/2" x 2"	1/2" x 1-3/4"	Plow bolts, no lock washer, regular nut
7/8" Bourgault shank w/ Bourgault square tube seed boot	1/2" x 2-1/4"	1/2" x 1-3/4"	Plow bolts, no lock washer, regular nut
3/4" Bourgault shank w/o seed boot	1/2" x 1-3/4"	1/2" x 1-3/4"	Plow bolts, no lock washer, regular nut
3/4" Bourgault shank w/ Bourgault round tube seed boot	1/2" x 1-3/4"	1/2" x 1-3/4"	Plow bolts, no lock washer, regular nut
3/4" Bourgault shank w/ Bourgault square tube seed boot	1/2" x 2"	1/2" x 1-3/4"	Plow bolts, no lock washer, regular nut
3/4" Degelman shank w/o seed boot	7/16" x 1-3/4"	7/16" x 1-3/4"	Plow bolts, no lock washer, regular nut
7/8" Flexi-Coil shank w/o seed boot	7/16" x 1-3/4"	7/16" x 1-3/4"	Plow bolts, no lock washer, regular nut
1/2" Morris Challenger shank w/o seed boot	3/8" x 1-1/2"	3/8" x 1-1/2"	Plow bolts, no lock washer, regular nut
5/8" Morris Challenger shank w/o seed boot	3/8" x 1-1/2"	3/8" x 1-1/2"	Plow bolts, no lock washer, regular nut
5/8" John Deere shank w/o seed boot	7/16" x 1-1/2"	7/16" x 1-1/2"	Plow bolts, no lock washer, regular nut
9/16" CIL shank w/o seed boot	3/8" x 1-1/2"	3/8" x 1-1/2"	Plow bolts, no lock washer, regular nut
1/2" Case IH shank w/o seed boot	7/16" x 1-1/2"	7/16" x 1-1/2"	Plow bolts, no lock washer, regular nut

043 & 050 Series Bolt-On Sweeps

Heavy-Duty Chisel Plows

APPLICATION	TOP BOLT	BOTTOM BOLT	SPECIAL NOTES
1" Bourgault shank w/o seed boot	1/2" x 2"	1/2" x 2"	Plow bolts, no lock washer, regular nut
1" Bourgault shank w/ Bourgault splitter seed boot #6505-42	1/2" x 2-1/4"	1/2" x 2"	Plow bolts, no lock washer, regular nut
1-1/4" Bourgault shank w/o seed boot	1/2" x 2-1/4"	1/2" x 2-1/4"	Plow bolts, no lock washer, regular nut
1-1/4" Bourgault shank w/ Bourgault splitter seed boot #6505-42	1/2" x 2-1/2"	1/2" x 2-1/4"	Plow bolts, no lock washer, regular nut
1" John Deere shank w/o seed boot	1/2" x 1-3/4"	1/2" x 2"	Plow bolts, no lock washer, regular nut
3/4" Degelman shank (50°) w/o seed boot	1/2" x 1-3/4"	1/2" x 1-3/4"	Plow bolts, no lock washer, regular nut
1-1/4" Flexi-Coil shank w/o seed boot	1/2" x 2-1/4"	1/2" x 2-1/4"	Plow bolts, no lock washer, regular nut
1" Morris shank (43°) w/o seed boot	1/2" x 2"	1/2" x 2"	Plow bolts, no lock washer, regular nut
1-1/4" CIL shank w/o seed boot	1/2" x 2-1/4"	1/2" x 2-1/4"	Plow bolts, no lock washer, regular nut
1-1/4" Case IH shank w/o seed boot	1/2" x 2-1/4"	1/2" x 2-1/4"	Plow bolts, no lock washer, regular nut
3/4" Case IH Vibra shank w/o seed boot	1/2" x 1-3/4"	1/2" x 1-3/4"	Plow bolts, no lock washer, regular nut

NOTES: **1)** All Bourgault sweeps come with 1/2" holes. Shanks with 3/8" and 7/16" holes require special oversize (O/S) head plow bolts. **2)** When bolting a seed boot, it's usually the bottom bolt which bolts the seed boot to the shank; the top bolt should remain the same length as listed above. If the seed boot cross section where the bolt goes through is 1/8" thick or less, use the same bolt length as above without the lock washer. If the seed boot cross section where the bolt goes through is greater than 1/8", increase bolt length by adding the measured cross section of the seed boot at the point the bolt goes through to the above lengths.

600 & 602 Series Replacement Tip Fertilizer Knives

APPLICATION	TOP HOLE	BOTTOM HOLE	SPECIAL NOTES
FOR 47° & 50° APPLICATIONS NO WEDGE IS REQUIRED			
1-1/4" Bourgault shank	1/2" x 2-3/4"	1/2" x 2-3/4"	Hex head bolt, regular nut & lock
1" Bourgault shank	1/2" x 2-1/2"	1/2" x 2-1/2"	Hex head bolt, regular nut & lock
7/8" Bourgault shank	1/2" x 2-1/2"	1/2" x 2-1/2"	Hex head bolt, regular nut & lock
3/4" Bourgault shank	1/2" x 2-1/4"	1/2" x 2-1/4"	Hex head bolt, regular nut & lock
1-1/4" Flexi-Coil shank	1/2" x 2-3/4"	1/2" x 2-3/4"	Hex head bolt, regular nut & lock
1-1/4" Morris shank	1/2" x 2-3/4"	1/2" x 2-3/4"	Hex head bolt, regular nut & lock ¹
1" John Deere shank	1/2" x 2-1/2"	1/2" x 2-1/2"	Hex head bolt, regular nut & lock
1-1/4" John Deere shank	1/2" x 2-3/4"	1/2" x 2-3/4"	Hex head bolt, regular nut & lock
3/4" Degelman shank	1/2" x 2-1/4"	1/2" x 2-1/4"	Hex head bolt, regular nut & lock
FOR 43° APPLICATIONS WEDGE 400-WDG-0700 IS REQUIRED			
1" Morris shank for NH3 knives	1/2" x 3" no lock washer	1/2" x 2-3/4" no lock washer	Hex head, regular nut
1" Morris shank for granular knives	1/2" x 3" no lock washer	1/2" x 2-3/4" no lock washer	Hex head, regular nut
1-1/4" CIL shank, 2-1/2" hole center-to-center	1/2" x 3-1/4" c/w no lock washer	1/2" x 2-3/4" no lock washer	Hex head, regular nut
1-1/4" Case IH shank	1/2" x 3-1/4"	1/2" x 3"	Hex head bolt, regular nut & lock ²
3/4" Case IH Vibra chisel shank	1/2" x 2-3/4"	1/2" x 2-1/2"	Hex head bolt, regular nut & lock

NOTES: 1) Some material may have to be ground off the bottom of the 1-1/4" Morris shank (front face) to get the knife holder to seat down tight against the shank. 2) The 1-1/4" IH shank will fit the NH3 knives, but not the granular knife. 3) All knives come with holes to accommodate 1/2" bolts. If cultivator shanks have 7/16" holes, substitute 7/16" bolts for 1/2" and use a flat washer on the bolt head.

Common Torque Values USS/SAE Grade 8

BOLT DIAMETER	TORQUE DRY FT. LBS.	LUBRICATED FT. LBS.
1/4"	12	9
5/16"	24	18
3/8"	45	35
7/16"	70	50
1/2"	110	80
9/16"	150	110
5/8"	210	160
3/4"	380	280
7/8"	600	450
1"	910	680

This chart lists some of the more common bolt sizes and their calculated torque values. To ensure proper installation and the integrity of the bolts, it is recommended that you follow these values. **All highlighted values are common bolt sizes used for our products.**

Common Torque Values Metric

BOLT DIAMETER	CLASS 10.9		CLASS 12.9	
	TORQUE DRY FT. LBS.	LUBRICATED FT. LBS.	TORQUE DRY FT. LBS.	LUBRICATED FT. LBS.
M4	3.2	2.4	3.8	2.8
M5	6.5	4.9	7.6	5.7
M6	11.1	8.3	13	9.7
M7	18.5	13.9	21.7	16.3
M8	26.9	20.2	31.4	23.6
M10	53.2	39.9	62.2	46.7
M12	92.8	69.6	108.5	81.4
M14	148.4	111.3	173.4	130
M16	230	173	269	202
M18	318	239	372	279

Product Depth Charts

Seed Openers, Fertilizer Knives, Sweeps & Spikes

DEPTH (IN INCHES)						PART #
5	4	3	2	1	0	
				█		047-KNH-1000 / 047-HLD-1000 / 047-ASY-1000
█	█	█	█	█		050-KNH-0500 W/ 200-TIP-0523
			█	█		050-KNH-0812 & 0820 W/ 200-TIP-0800
			█	█		050-KNH-0812 & 0820 W/ 200-TIP-0801
			█	█		050-KNH-0812 & 0820 W/ 200-TIP-1011
			█	█		050-KNH-0812 & 0820 W/ 200-TIP-3000
			█	█		050-KNH-0812 & 0820 W/ 200-TIP-3001
			█	█		050-KNH-0812 & 0820 W/ 200-TIP-3011
			█			050-KNH-0812 W/ 200-TIP-0800
			█			050-KNH-0812 W/ 200-TIP-1011
			█			050-KNH-0820 W/ 200-TIP-0800
			█			050-KNH-0820 W/ 200-TIP-1011
				█		200-HOE-1700
			█			200-KNF-0810 / 0811 / 0813 / 7551 / 7553
			█			200-KNF-0863 / 0861
			█			200-KNF-7510 / 7511 / 7512 / 7542
			█			200-KNF-7520 / 7521 / 7524 / 7525 / 7530 / 7531
		█	█	█		200-KNH-4000 / 4010 & 4020 W/ 200-TIP-0800 / 0801 / 3000 / 3001 / 3011
		█	█			200-KNH-4010 W/ 200-TIP-1011
						200-PWV-0400 TO 200-PWV-1200
					█	200-PWV-0405
						200-PWV-0508 TO 200-PWV-1208
					█	200-PWV-1300 / 1400
					█	200-PWV-1308 / 1408
					█	200-SPN-0200 / 0208 / 0300 / 0308

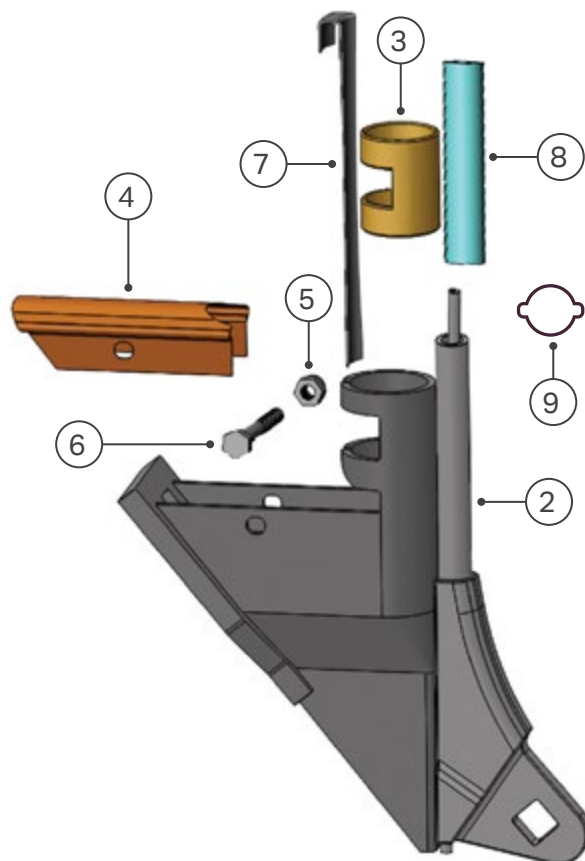
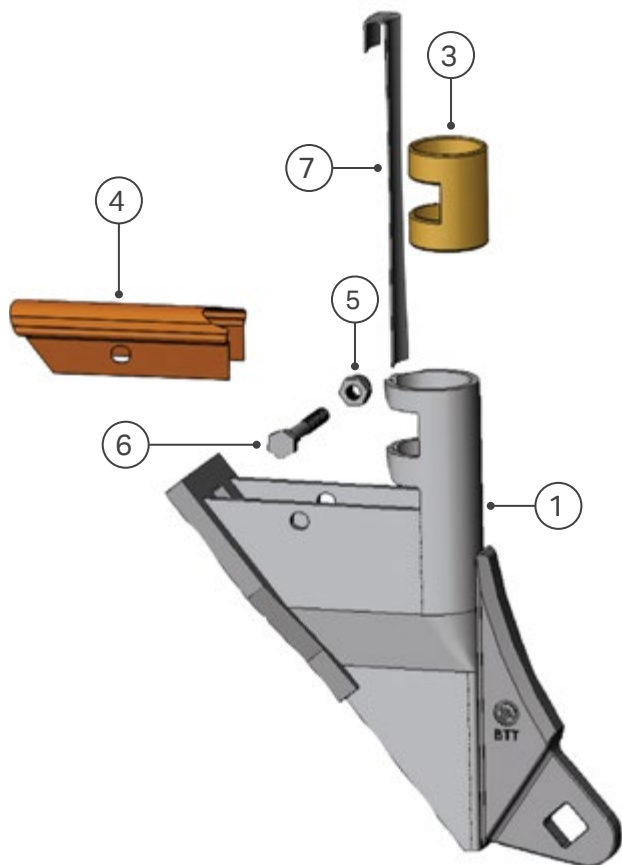
DEPTH (IN INCHES)						PART #
5	4	3	2	1	0	
				█		200-SPK-0200 / 0215
		█	█	█		200-VRT-1011 / 1000 / 1016 / 1040
		█	█			200-VRT-1061
		█	█			410-KNF-0800 / 0801 / 0813 / 0824 / 0825
		█	█			410-KNF-0830 / 0831 / 7551 / 7553 / 7560
		█	█			410-KNH-4000 W/ 200-TIP-0801
		█	█			410-KNH-7524 / 7540 W/ 600-TIP-7501
					█	410-PWV-0418 / 0418ML
						410-PWV-0400 / 0600 / 0608
						410-PWV-0800 / 0808
						410-PWV-1000 / 1008
						410-PWV-1200 / 1208
						410-PWV-1400 / 1408
						410-PWV-1600 / 1608
						410-PWV-1800 / 1808
				█		410-SPK-0200
				█		410-SPN-0300 / 0308
		█	█	█		599-KNH-7512 / 7540 W/ 600-TIP-7500 / 7501
		█	█	█		600-KNH-7510 W/ 600-TIP-7501
		█	█	█		600-KNH-7520 W/ 600-TIP-7501
		█	█	█		600-KNH-7530 W/ 600-TIP-7501
		█	█	█		600-KNH-7540 W/ 600-TIP-7501
		█	█	█		600-KNH-7550 W/ 600-TIP-7501
		█	█	█		600-KNH-7562 W/ 600-TIP-7507

047-ASY-1000

Single Shoot Seed Openers (Page 20)

047-ASY-1005P

Single Shoot Seed Openers (Page 20)



PART		047-ASY-1000	047-ASY-1005P
1	047-HLD-1000	■	■
2	047-HLD-1005P		■
3	880-BSH-1130	■	■
4	047-CAP-1001	■	■
5	908-NNI-2504	■	■
6	942-HRG-2004	■	■
7	047-ACC-1001*	■	■
8	680-HOS-1000**		■
9	880-HCL-0004		■

TIP OPTIONS:

- 200-TIP-0511 200-TIP-1011
- 200-TIP-0800 200-TIP-2011
- 200-TIP-0801 200-TIP-3000
- 200-TIP-0802 200-TIP-3001
- 200-TIP-0803 200-TIP-3011
- 200-TIP-0811 200-TIP-4011

Tips sold separately. See pages 12-13.

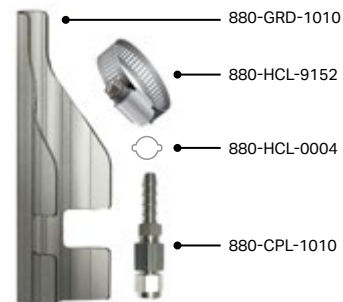
NOTES: Curved 50° shanks require either 880-WDG-0300 or 880-WDG-0301. **Sold separately.** See page 114.

*Use focus strip 047-ACC-1000 for more concentrated seed placement.

**680-HOS-1000 is a 6" x 1/2" I.D. NH3 hose.

880-ASY-1010 REQUIRED

This assembly is required to convert the standard 3/16" O.D. liquid phos tube to 1/4" I.D. liquid phos delivery hoses. **Sold separately.**

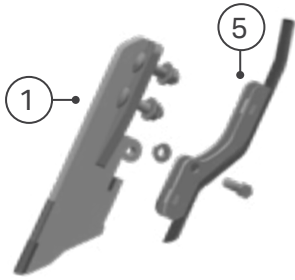


050-MRA-5120 & 5122 050-MRA-5130 & 5151

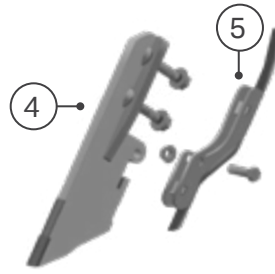
Bourgault Mid Row Shank Fertilizer Knives

050-MRA-5220 & 5222 050-MRA-5230 & 5231

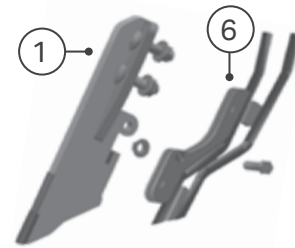
C-Shank Fertilizer Knives



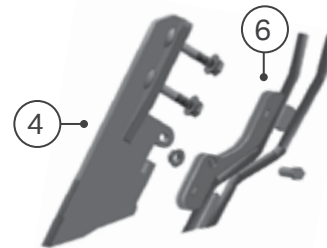
050-MRA-5120
FITS: Bourgault MRS with 1-3/4" bolt spacing (page 32)



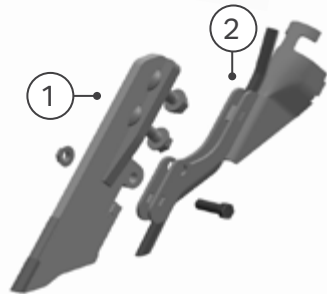
050-MRA-5220
FITS: C-shank with 2-1/4" bolt spacing (page 75)



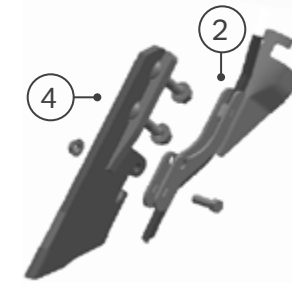
050-MRA-5122
FITS: C-shank with 2-1/4" bolt spacing (page 32)



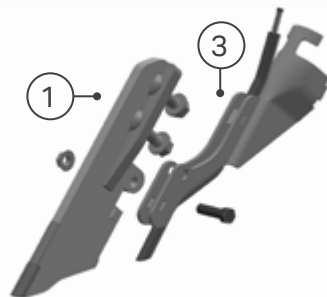
050-MRA-5222
FITS: C-shank with 2-1/4" bolt spacing (page 75)



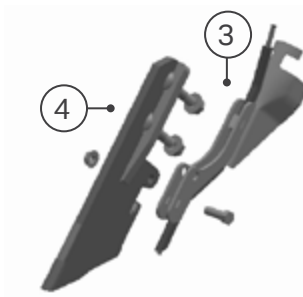
050-MRA-5130
FITS: Bourgault MRS with 1-3/4" bolt spacing (page 32)



050-MRA-5230
FITS: C-shank with 2-1/4" bolt spacing (page 75)



050-MRA-5131
FITS: Bourgault MRS with 1-3/4" bolt spacing (page 32)



050-MRA-5231
FITS: C-shank with 2-1/4" bolt spacing (page 75)

PART		N	N	G	G	N	N	G	G
		N	N	N	L	N	N	N	L
1	050-MRH-5175	■	■	■	■				
2	050-MRF-0030			■				■	
3	050-MRF-0031				■				■
4	050-MRH-5225					■	■	■	■
5	050-MRF-0020	■				■			
6	050-MRF-0022		■				■		

Nuts and bolts are included.

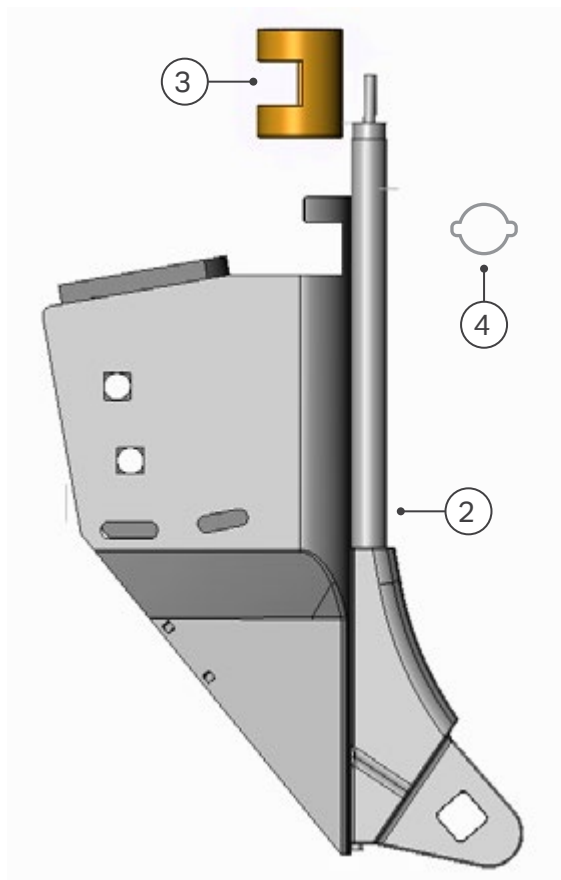
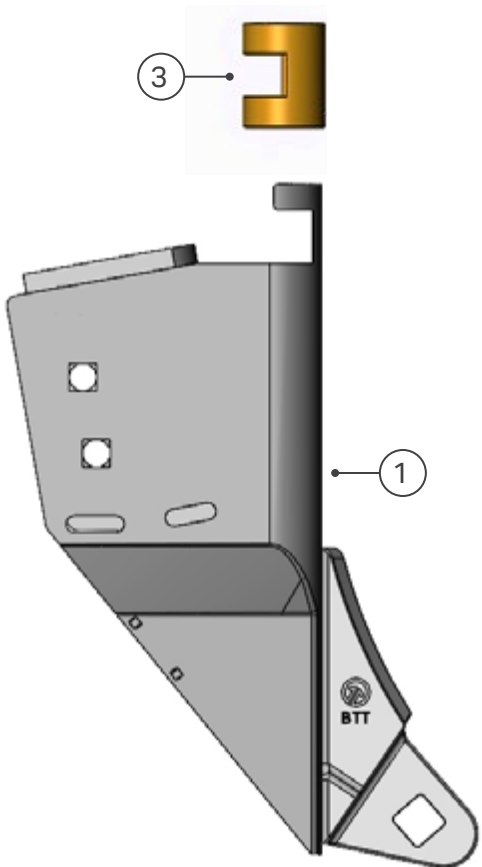
All product and company names are trademarks™ or registered® trademarks of their respective holders. Use of them does not imply any affiliation with or endorsement by them.

680-ASY-1000

Single Shoot Seed Openers (Page 28 & 44)

680-ASY-1000P

Single Shoot Seed Openers (Page 28 & 44)



PART		680-ASY-1000	680-ASY-1000P
1	680-HLD-1000	■	■
2	680-HLD-1000P		■
3	880-BSH-1130	■	■
4	880-HCL-0004		■

TIP OPTIONS:

- | | |
|--------------|--------------|
| 200-TIP-0511 | 200-TIP-1011 |
| 200-TIP-0800 | 200-TIP-2011 |
| 200-TIP-0801 | 200-TIP-3000 |
| 200-TIP-0802 | 200-TIP-3001 |
| 200-TIP-0803 | 200-TIP-3011 |
| 200-TIP-0811 | 200-TIP-4011 |

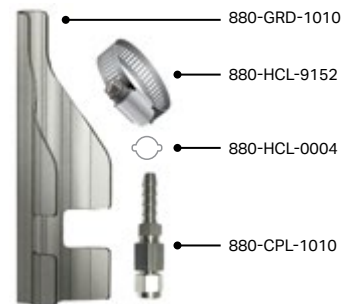
Tips sold separately. See pages 12-13.

- | |
|-----------------------------|
| 200-BNC-3100 |
| 907-NPF-3755 & 960-CRG-3755 |

NOTES: *680-HOS-1000 is a 6" x 1/2" I.D. NH3 hose.

880-ASY-1010 REQUIRED

This assembly is required to convert the standard 3/16" O.D. liquid phos tube to 1/4" I.D. liquid phos delivery hoses. **Sold separately.**

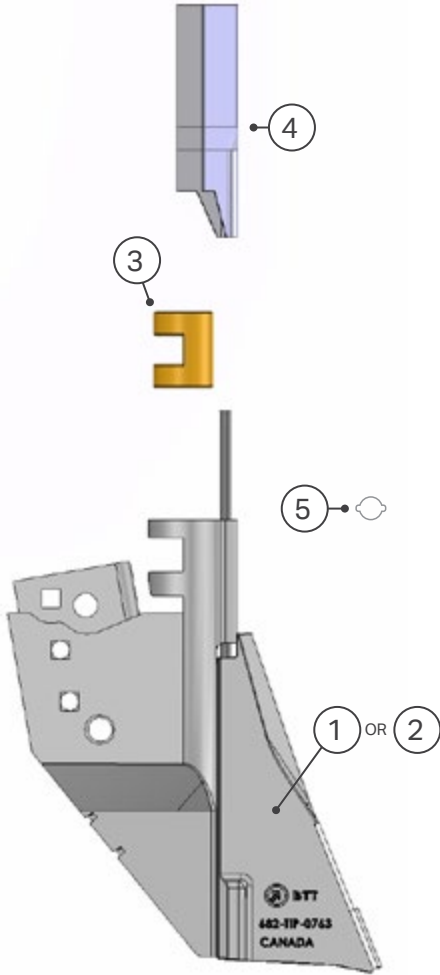


682-ASY-2063/2064

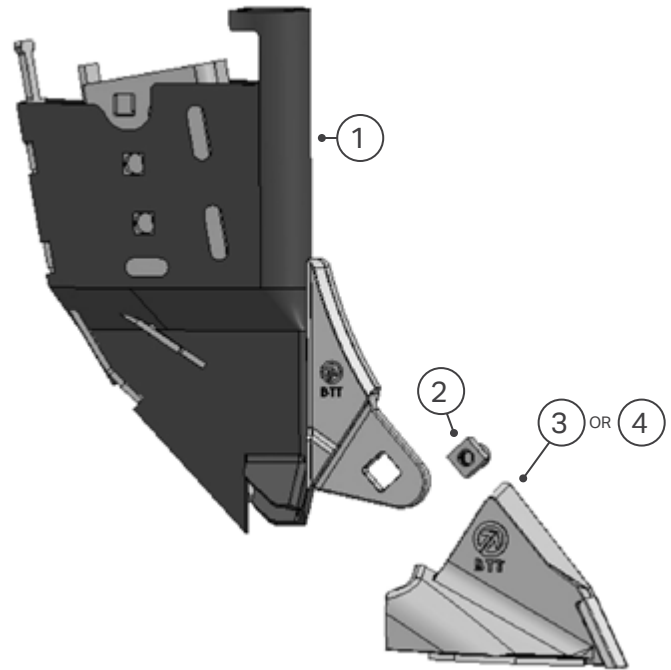
Side Band Seed Openers (Page 31 & 48)

680-ASY-0211/0212

TriMax™ Triple-Shoot System Seed Openers (Page 31)



682-ASY-2063 (LEFT)
682-ASY-2064P (RIGHT SHOWN)



680-ASY-0211 (LEFT)
680-ASY-0212 (RIGHT SHOWN)

PART		L	L
		682-ASY-2063	682-ASY-2064
1	682-KNF-2063	■	
2	682-KNF-2064		■
3	880-BSH-1130	■	■
4	682-DEF-1000	■	■
5	695-HCL-1220	■	■

PART		G	G
		680-ASY-0211	680-ASY-0212
1	680-HLD-0712	■	
2	200-BNC-3100		■
3	612-TIP-0211	■	
4	612-TIP-0212		■

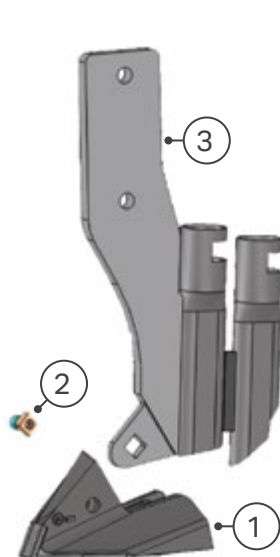
NOTES:

Accessory 680-ACC-0001 is needed when used for Edge On Concord. See page 114.

610-TIP-4041 Assemblies

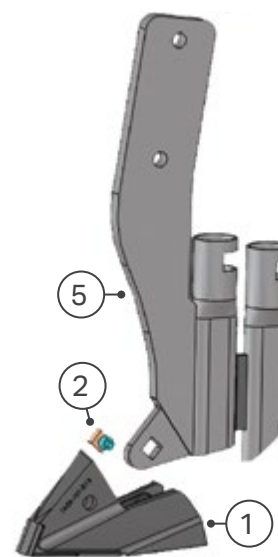
Paired Row Seed Openers (Assemblies on these pages include the tip)

PART		683-ASY-4020G	693-ASY-4020G
1	610-TIP-4041	■	■
2	200-BNC-3100	■	■
3	683-HLD-2000	■	
5	693-HLD-2000		■
6	694-HLD-2000		



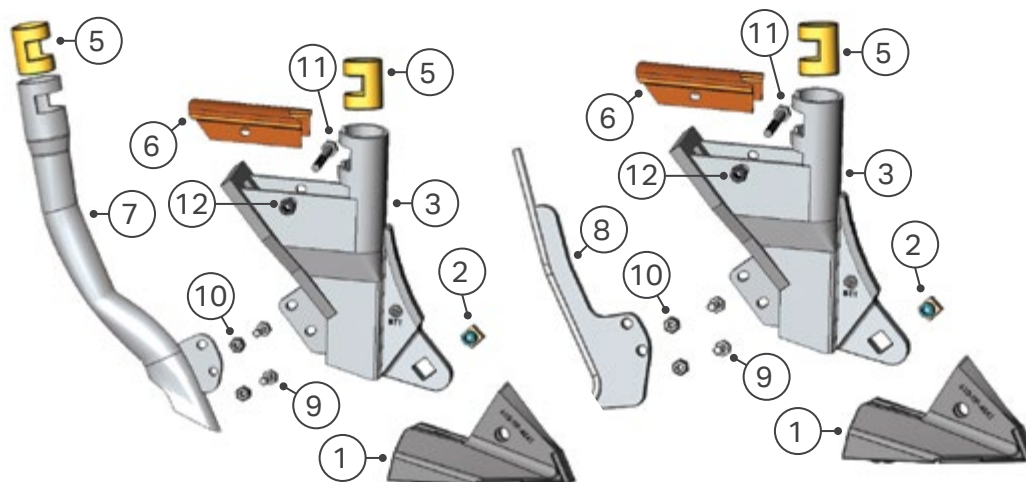
683-ASY-4020G

FITS: Morris Contour I (page 49)



693-ASY-4020G

FITS: Morris Contour II & Morris Quantum (page 49)



610-ASY-4020

FITS: C-shank (page 22)

610-ASY-4026

FITS: C-shank (page 22)

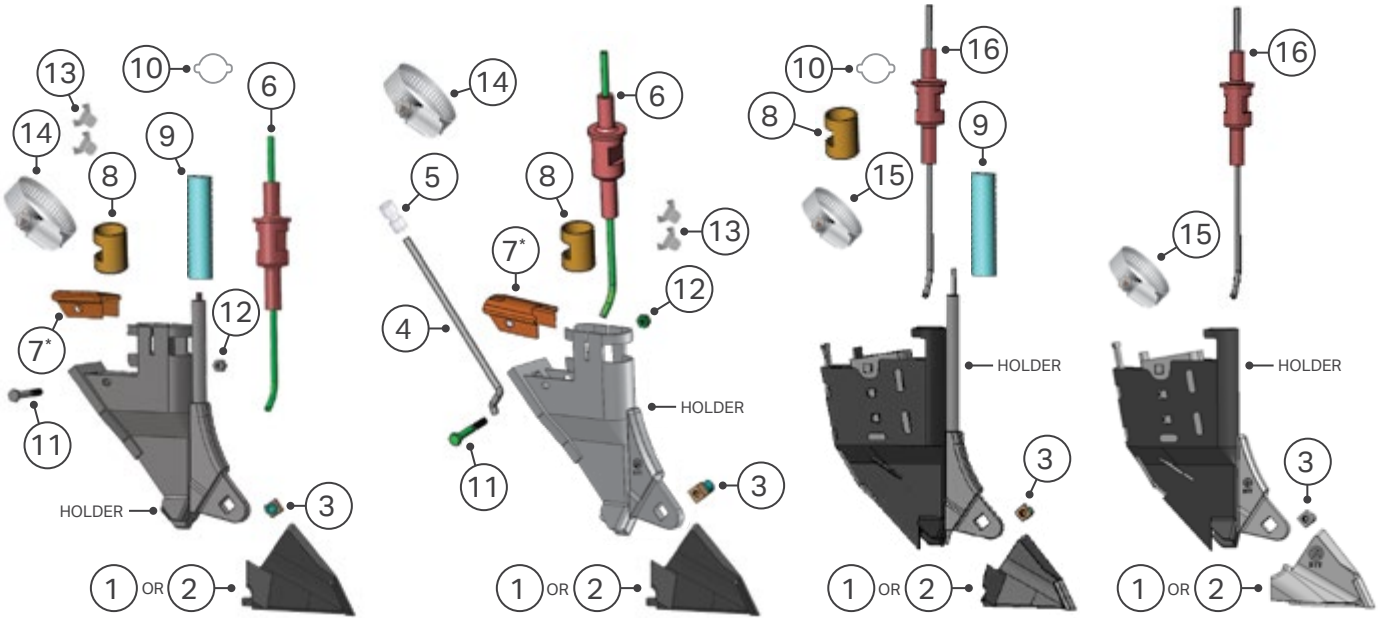
PART		610-ASY-4020	610-ASY-4026
1	610-TIP-4041	■	■
2	200-BNC-3100	■	■
3	610-HLD-2000	■	■
4	680-HLD-2000		
5	880-BSH-1130 (x2)	■	■
6	047-CAP-1000	■	■
7	610-TUB-1001	■	
8	610-TUB-2526		■
9	942-HRG-0754 (x2)	■	■
10	906-NPT-2505 (x2)	■	■
11	942-HRG-2004	■	■
12	908-NNI-2504	■	■

NOTES: Accessory 680-ACC-0004 is a conversion tab needed to replace the fertilizer tube on the 680-HLD-2000, making it a single shoot opener. See page 114.

All product and company names are trademarks™ or registered® trademarks of their respective holders. Use of them does not imply any affiliation with or endorsement by them.

612-TIP-0711 & 0712 Assemblies

Side Band Seed Openers (Assemblies on these pages include the tip)



610-ASY-0711
610-ASY-0712 (SHOWN)

HOLDERS:
 610-HLD-0711*
 610-HLD-0712 (SHOWN)*

FITS: C-shank (page 24)

612-ASY-0711
612-ASY-0712 (SHOWN)

HOLDERS:
 612-HLD-0711
 612-HLD-0712 (SHOWN)

FITS: C-shank (page 24)

680-ASY-0711LP
680-ASY-0712LP (SHOWN)

HOLDERS:
 680-HLD-0711LP
 680-HLD-0712LP (SHOWN)

FITS: Bourgault PHD (page 29)

680-ASY-0711L
680-ASY-0712L (SHOWN)

HOLDERS:
 680-HLD-0711L
 680-HLD-0712L (SHOWN)

FITS: Bourgault PHD (page 29)

***BUILD TO ORDER**

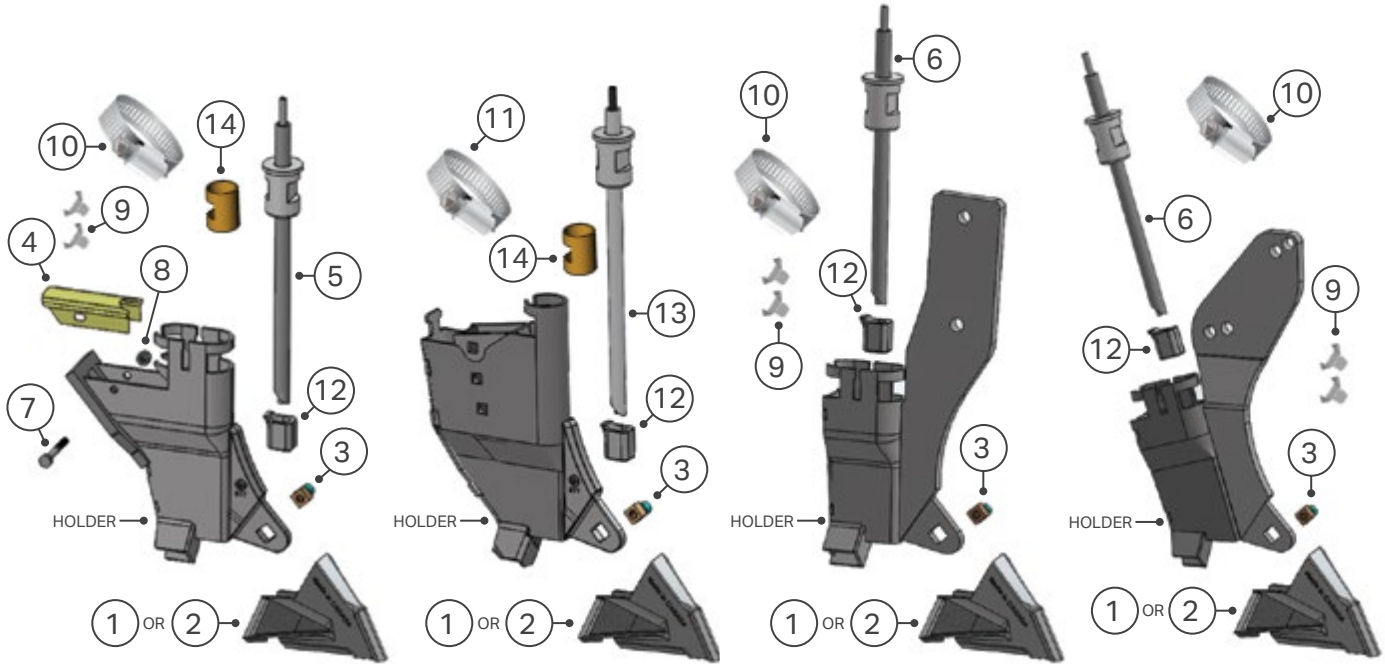
PART		610-ASY-0711GP	610-ASY-0711LP	610-ASY-0712GP	610-ASY-0712LP	612-ASY-0711G	612-ASY-0711GP	612-ASY-0711L	612-ASY-0711LP	612-ASY-0712G	612-ASY-0712GP	612-ASY-0712L	612-ASY-0712LP	680-ASY-0711G	680-ASY-0711GP	680-ASY-0711L	680-ASY-0711LP	680-ASY-0712G	680-ASY-0712GP	680-ASY-0712L	680-ASY-0712LP			
1	612-TIP-0711																							
2	612-TIP-0712 (SHOWN)																							
3	200-BNC-3100																							
4	047-TUB-2540																							
5	880-CPL-2500																							
6	612-TUB-6061																							
7	612-CAP-1002																							
8	880-BSH-1130																							
9	880-HOS-1000*																							
10	880-HCL-0004																							
11	942-HRG-2004																							
12	908-NNI-2504																							
13	880-HCL-0001 (x2)																							
14	880-HCL-1828																							
15	880-HCL-9152																							
16	682-TUB-6061																							

NOTES: If your C-shank holder looks different than those pictured above, you have a pre-2014 style holder.

These holders require the galvanized steel cap 612-CAP-1001.

614-TIP-2711 & 2712 Assemblies

Side Band Seed Openers (Assemblies on these pages include the tip)



610-ASY-2711 (LEFT)
610-ASY-2712 (RIGHT SHOWN)

HOLDERS:
610-HLD-2711
610-HLD-2712 (SHOWN)

FITS: C-shank (page 23)

680-ASY-2711 (LEFT)
680-ASY-2712 (RIGHT SHOWN)

HOLDERS:
680-HLD-2711
680-HLD-2712 (SHOWN)

FITS: Edge On, Bourgault PHD (page 29) Morris Maxim (page 47)

683-ASY-2711 (LEFT)
683-ASY-2712 (RIGHT SHOWN)

HOLDERS:
683-HLD-2711
683-HLD-2712 (SHOWN)

FITS: Morris Contour I (page 47)

684-ASY-2711 (LEFT)
684-ASY-2712 (RIGHT SHOWN)

HOLDERS:
684-HLD-2711
684-HLD-2712 (SHOWN)

FITS: Case IH 800/900, NH P2070 & 2075, Flexi-Coil PD5700 & 7200 (page 34)



● STANDARD INSTALLATION
● 3° MORE PITCH

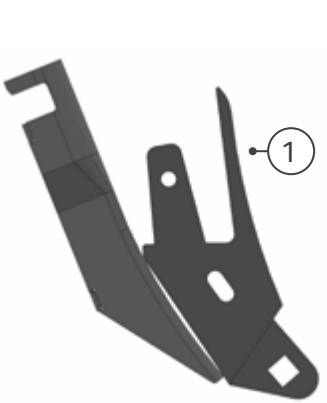
PART	610-ASY-2711G		610-ASY-2711L		610-ASY-2712G		610-ASY-2712L		680-ASY-2711G		680-ASY-2711GP		680-ASY-2711L		680-ASY-2711LP		680-ASY-2712G		680-ASY-2712GP		680-ASY-2712L		680-ASY-2712LP		683-ASY-2711G		683-ASY-2711GP		683-ASY-2711L		683-ASY-2711LP		683-ASY-2712G		683-ASY-2712GP		683-ASY-2712L		683-ASY-2712LP		684-ASY-2711G		684-ASY-2711GP		684-ASY-2711L		684-ASY-2711LP		684-ASY-2712G		684-ASY-2712GP		684-ASY-2712L		684-ASY-2712LP	
	G	L	G	L	G	G	L	L	G	G	L	L	G	G	L	L	G	G	L	L	G	G	L	L	G	G	L	L	G	G	L	L	G	G	L	L	G	G	L	L	G	G	L	L	G	G	L	L								
1 614-TIP-2711	■	■																																																						
2 614-TIP-2712 (SHOWN)																																																								
3 200-BNC-3100	■	■	■	■	■	■	■	■	■	■	■	■	■	■	■	■	■	■	■	■	■	■	■	■	■	■	■	■	■	■	■	■	■	■	■	■	■	■	■	■	■	■	■	■	■	■	■	■	■	■	■					
4 610-CAP-1080	■	■	■	■																																																				
5 880-TUB-2701			■																																																					
6 880-TUB-2711																																																								
7 942-HRG-2004	■	■	■	■																																																				
8 908-NNI-2504	■	■	■	■																																																				
9 880-HCL-0001 (x2)	■		■																																																					
10 880-HCL-1828	■	■	■	■																																																				
11 880-HCL-9152																																																								
12 614-ACC-1000																																																								
13 680-TUB-2701																																																								
14 880-BSH-1130	■		■																																																					

NOTES: Two 880-HCL-0001 are included with the granular openers only. They are intended to provide additional security to installed hoses. See page 115 for proper hose clip installation. When ordering liquid phos openers call the factory for tube sizes. When installing openers on Case IH 800 & 900, New Holland P2070 & 2075, and Flexi-Coil PD5700 & 7200 you have two options as shown in the diagram above.

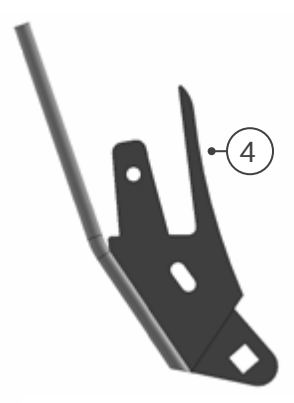
All product and company names are trademarks™ or registered® trademarks of their respective holders. Use of them does not imply any affiliation with or endorsement by them.

John Deere 1870 Conserva Pak & P500

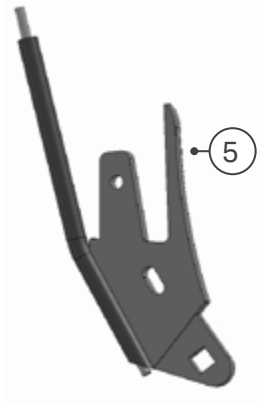
Fertilizer Knives (Page 40)



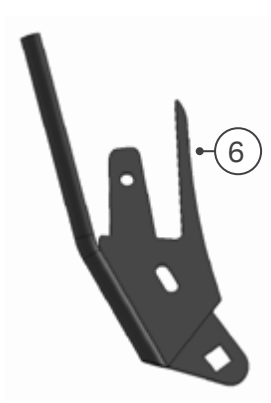
650-HLD-1000G



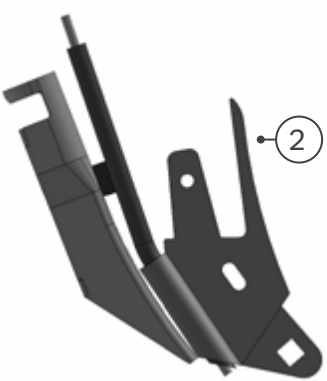
650-HLD-1001



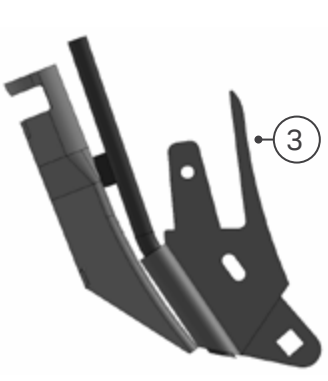
650-HLD-1000L



650-HLD-1000N



650-HLD-1000GL



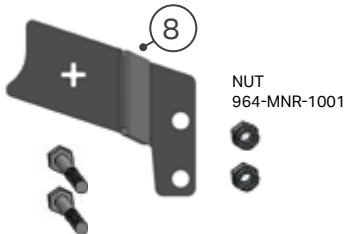
650-HLD-1000GN



BOLT
964-MHR-1030

NUT
964-MNR-1001

650-ACC-1000



BOLT
964-MHR-1030

NUT
964-MNR-1001

650-ACC-1010

	G	L	N	G	L	N
650-HLD-1000G						
650-HLD-1000L						
650-HLD-1000N						
650-HLD-1000GL						
650-HLD-1000GN						
650-HLD-1001						

PART		650-HLD-1000G	650-HLD-1000L	650-HLD-1000N	650-HLD-1000GL	650-HLD-1000GN	650-HLD-1001
1	650-HLD-1000G	■					
2	650-HLD-1000GL				■		
3	650-HLD-1000GN					■	
4	650-HLD-1001						■
5	650-HLD-1000L		■				
6	650-HLD-1000N			■			
7	650-ACC-1000 ¹	■	■	■			■
8	650-ACC-1010 ²				■	■	

TIP OPTIONS:

- 200-TIP-0511
- 200-TIP-0801
- 200-TIP-0803
- 200-TIP-0800
- 200-TIP-0802
- 200-TIP-0811

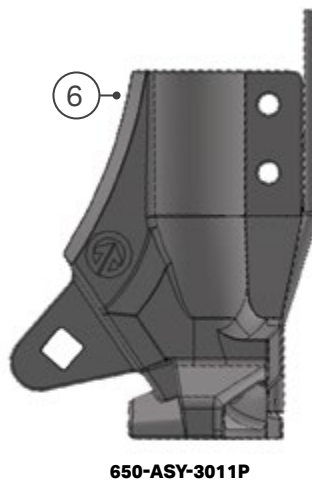
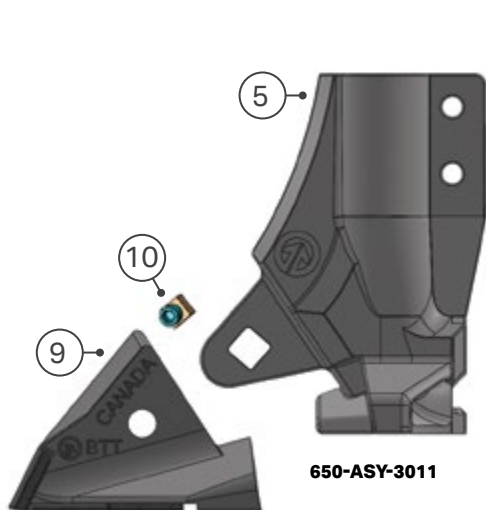
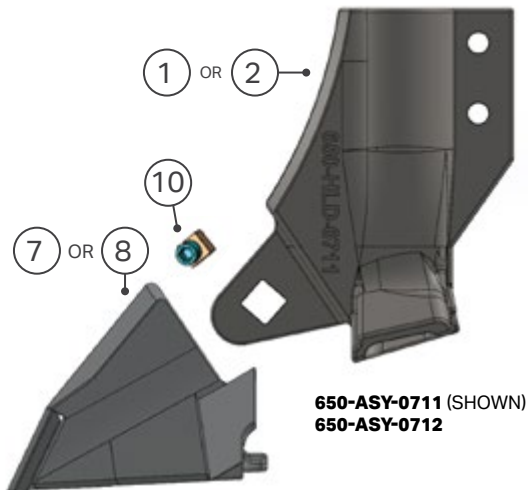
Tips sold separately. See pages 12-13.

NOTES: ¹650-ACC-1000 bracket is required on single fertilizer knives. ²650-ACC-1010 bracket is required for 650-HLD-1000GN and 650-HLD-1000GL. Required on units prior to 2017. **They are not included in the assembly and must be ordered separately.**

The metric bolts needed for installation of these bracket are included. Correct bracket installation is shown on page 40.

John Deere 1870 Conserva Pak & P500

Seed Openers (Page 41). Assemblies on this page include the tip.



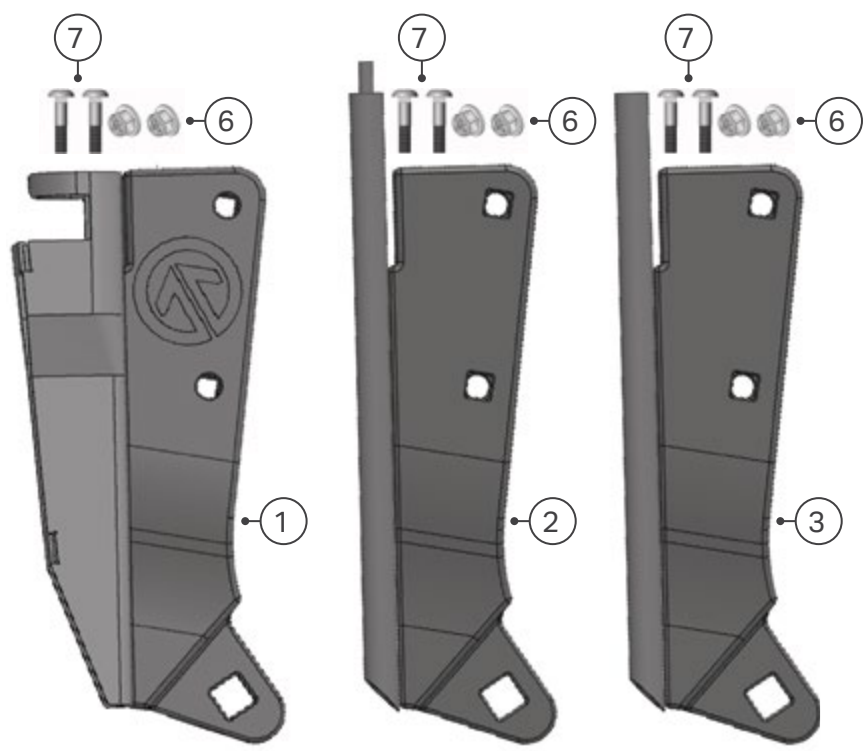
	G	G	P	P	G	P
650-ASY-0711						
650-ASY-0712						
650-ASY-0711P						
650-ASY-0712P						
650-ASY-3011						
650-ASY-3011P						

PART		650-ASY-0711	650-ASY-0712	650-ASY-0711P	650-ASY-0712P	650-ASY-3011	650-ASY-3011P
1	650-HLD-0711	■					
2	650-HLD-0712		■				
3	650-HLD-0711P			■			
4	650-HLD-0712P				■		
5	650-HLD-3000					■	
6	650-HLD-3000P						■
7	612-TIP-0711 (SHOWN)	■		■			
8	612-TIP-0712		■		■		
9	200-TIP-3011					■	■
10	200-BNC-3100	■	■	■	■	■	■

All product and company names are trademarks™ or registered® trademarks of their respective holders. Use of them does not imply any affiliation with or endorsement by them. John Deere and 1870 Conserva Pak are the registered trademarks of Deere & Company.

John Deere P670 & P680/Seed Master

Fertilizer Knives (Page 42 & 51)



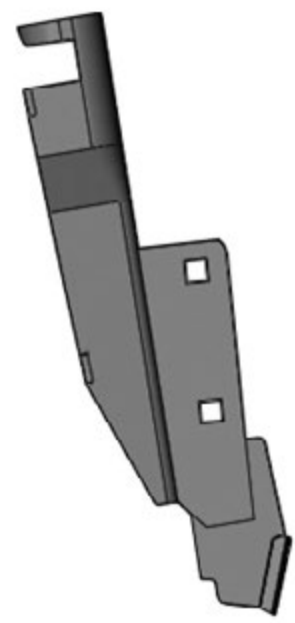
689-HLD-1000G

689-HLD-1000L*

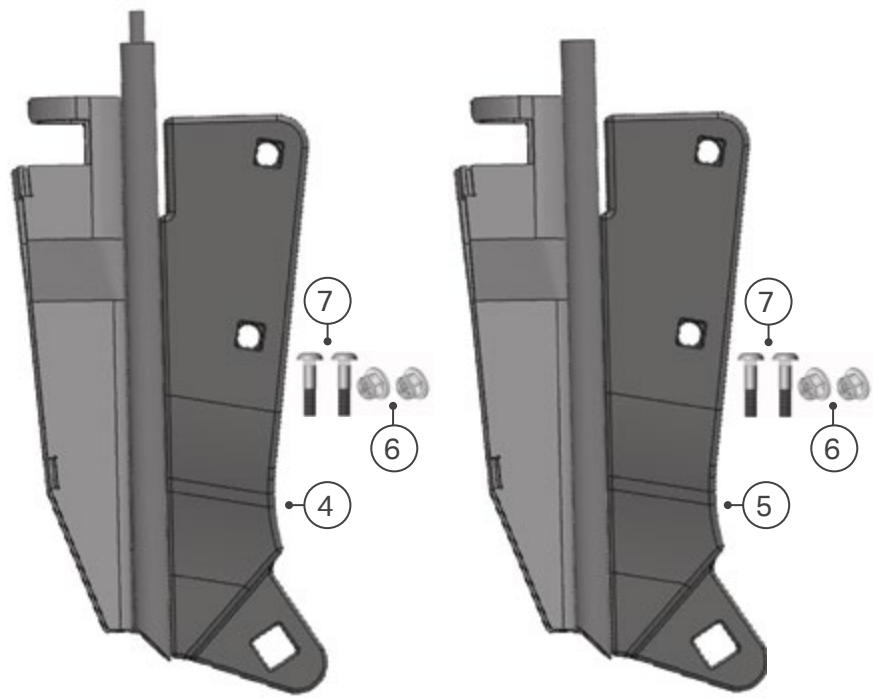
689-HLD-1000N*

***BUILD TO ORDER**

***BUILD TO ORDER**



689-KNF-1000
Seeding Knife



689-HLD-1000GL*

689-HLD-1000GN*

***BUILD TO ORDER**

***BUILD TO ORDER**

PART		G	L	N	G	N
1	689-HLD-1000G	■				
2	689-HLD-1000L		■			
3	689-HLD-1000N			■		
4	689-HLD-1000GL				■	
5	689-HLD-1000GN*					■
6	907-NPF-3755	■	■	■	■	■
7	960-CRG-1755	■	■	■	■	■

TIP OPTIONS:

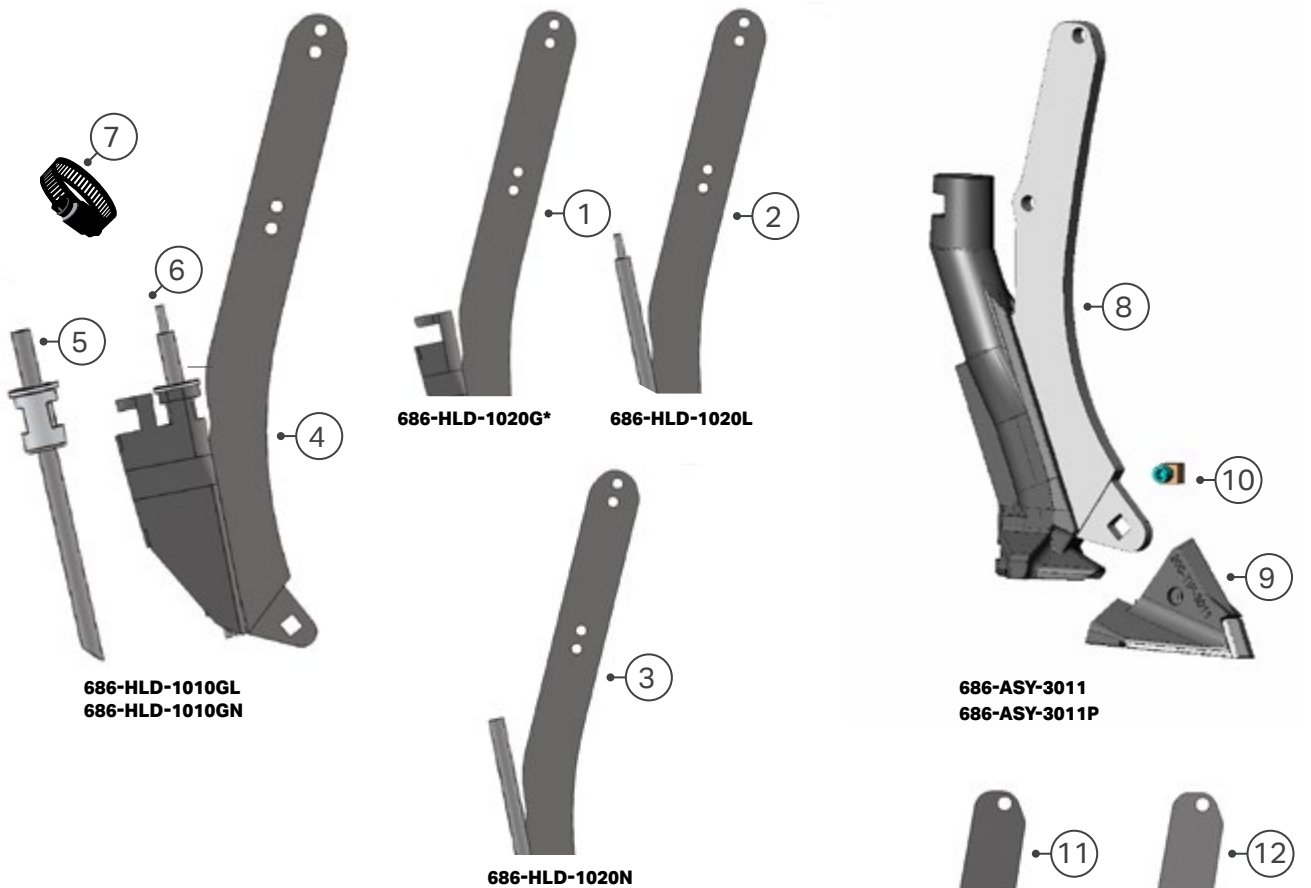
- 200-TIP-0511
- 200-TIP-0801
- 200-TIP-0802
- 200-TIP-0803
- 200-TIP-0811

Tips sold separately. See pages 12-13.

NOTES: Use 960-CRG-1755 on front shank if installing stainless shield.

Väderstad Seed Hawk

Fertilizer Knives (Page 52) and Seed Openers (Page 54)



PART		G	L	N	G	G	P	G	P
		686-HLD-1020G	686-HLD-1020L	686-HLD-1020N	686-HLD-1010GL	686-HLD-1010GN	686-ASY-3011	686-KNH-1001	686-KNH-1001P*
1	686-HLD-1020G	■							
2	686-HLD-1020L		■						
3	686-HLD-1020N			■					
4	686-HLD-1010				■	■			
5	880-TUB-8375					■			
6	880-TUB-8375L				■				
7	880-HCL-1828				■	■			
8	686-HLD-3000						■		
9	200-TIP-3011						■		
10	200-BNC-3100						■		
11	686-KNH-1001							■	
12	686-KNH-1001P*								■

TIP OPTIONS:

- 200-TIP-0511
- 200-TIP-0800
- 200-TIP-0801
- 200-TIP-0802
- 200-TIP-0803
- 200-TIP-0811

Tips sold separately. See pages 12-13.

NOTES: These openers are available with liquid phos options, please call the factory for more details.

*All product and company names are trademarks™ or registered® trademarks of their respective holders. Use of them does not imply any affiliation with or endorsement by them. Väderstad Seedhawk and any other use and/or mentions of their name and/or product designations are the property and registered trademarks of Väderstad Seedhawk.

***BUILD TO ORDER**

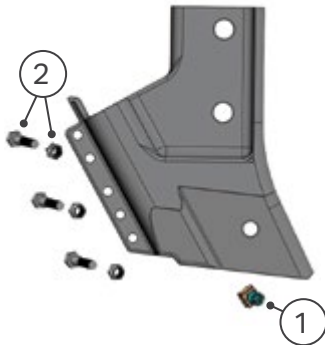
Titan Opener System

Pages 56-57

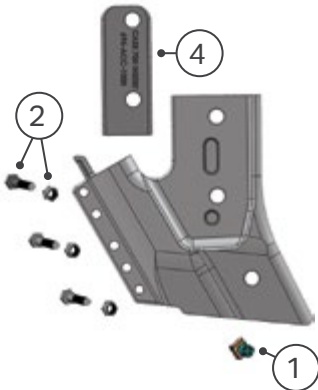
1 CHOOSE YOUR HOLDER



620-HLD-5000
FITS: 47° and 50 ° C-shank



688-HLD-5000
FITS: Horsch 84° Shank, ST and CO
NOTES: On older drills, customer needs to verify mounting bolt holes.
 1/2" bolt hole requires **694-HLD-5000** (does not require 694-ACC-1000)
 5/8" bolt hole requires **688-HLD-5000**

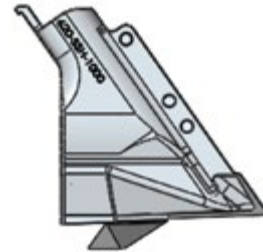


694-HLD-5000
FITS: Case IH AXT 700, NH P2060, Flexi-Coil 5500 & Concord Edge On (84° shanks only)
NOTES: 694-HLD-5000 requires 694-ACC-1000 (included). Not required when installing on the Concord.

PART		620-HLD-5000	688-HLD-5000	694-HLD-5000
1	200-BNC-3100	■	■	■
2	620-BNC-3100	■	■	■
3	628-BSH-1000			
4	694-ACC-1000			■

All product and company names are trademarks™ or registered® trademarks of their respective holders. Use of them does not imply any affiliation with or endorsement by them.

2 CHOOSE YOUR SEEDSHOE



620-SSH-1000
 2-3/4" Paired Row



620-SSH-4000
 4" Paired Row



620-SSH-6000
 6" Paired Row

3 CHOOSE YOUR TIP



620-TIP-0510



620-TIP-1510



620-TIP-4060

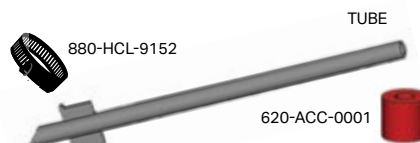
880-CPL-2500 is required (included).

4 CHOOSE YOUR FERTILIZER

N

620-TUB-1021*

1/2" (12mm) O.D. NH₃ tube for **620, 688 & 694** holders.



N + P

620-TUB-1070

1/4" (6mm) O.D. Aqua NH₃ + Phos tube for **620, 688 & 694** series holders.



N or L

620-TUB-4000

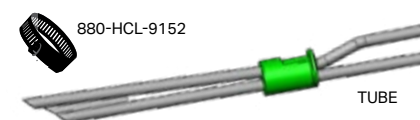
0.4" O.D. Stainless Steel Liquid or NH₃ tube for **620, 688 & 694** series holders.



N + P

620-TUB-4040

0.4" O.D. Stainless Steel Aqua NH₃ + Phos tube for **620, 688 & 694** series holders.



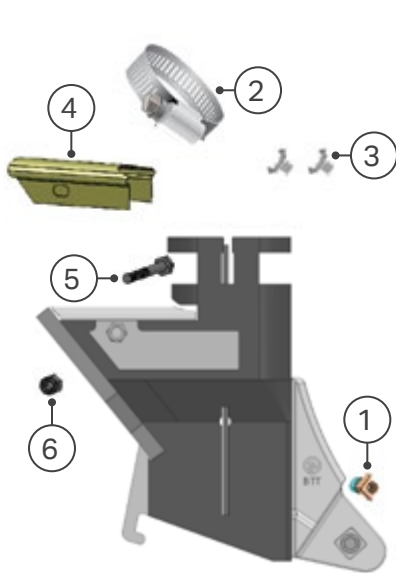
NOTES: The tube assemblies include the tube and any accessories shown.

*For pressurized NH₃ Systems (including MaxQuip) you will be given the standard NH₃ tube and then must consult with your pressurized system dealer for tubing inserts.

VOS

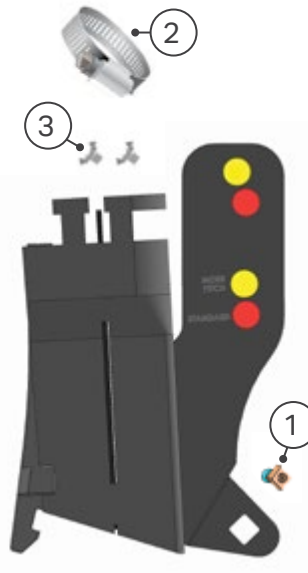
Pages 58-59

1 CHOOSE YOUR HOLDER



610-HLD-2080HD

FITS: 47° and 50° C-shank

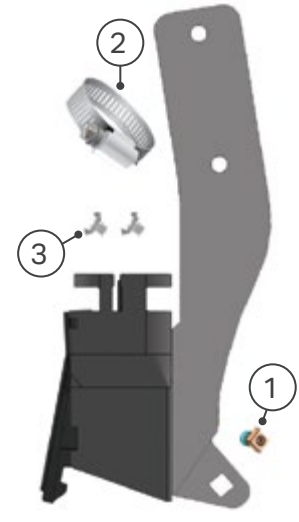


688-HLD-2080

FITS: Horsch 84° Shank, ST and CO

NOTE: When installing openers on Horsch 84° Shanks you have two options shown above.

- STANDARD INSTALLATION
- 4° MORE PITCH



693-HLD-2080

FITS: Morris Contour II and Morris Quantum

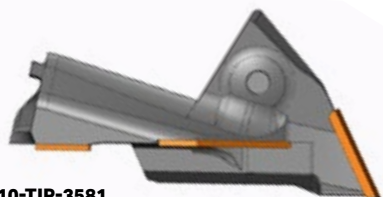
PART		610-HLD-2080HD	688-HLD-2080	693-HLD-2080	694-HLD-2080
1	200-BNC-3100	■	■	■	■
2	880-HCL-1828	■	■	■	■
3	880-HCL-0001 (x2)	■	■	■	■
4	610-CAP-1080	■			
5	942-HRG-2004	■			
6	908-NNI-2504	■			

All product and company names are trademarks™ or registered® of their respective holders. Use of them does not imply any affiliation with or endorsement by them.

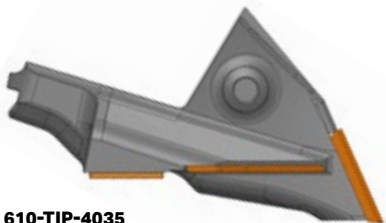
2 CHOOSE YOUR TIP



610-TIP-0802
Single Shoot Tip



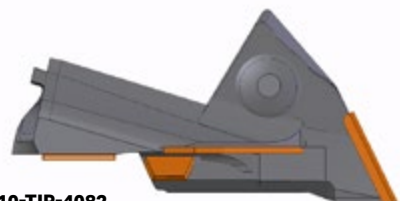
610-TIP-3581
Paired Row Tip



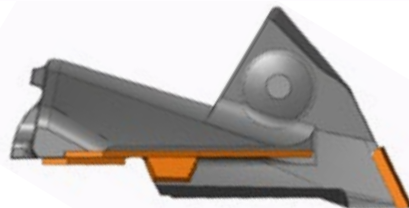
610-TIP-4035
Paired Row Tip



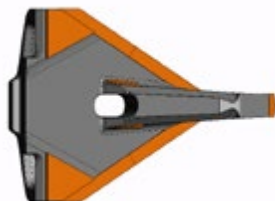
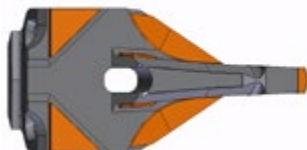
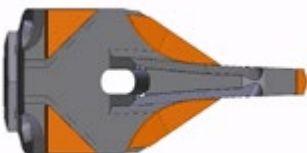
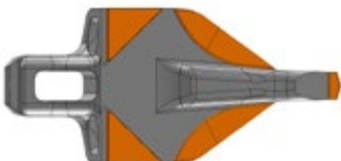
610-TIP-4081
Paired Row Tip



610-TIP-4082
Paired Row Tip



610-TIP-6082
Paired Row Tip



3 CHOOSE YOUR FERTILIZER



880-TUB-1003¹ / 880-TUB-1004²
Precision Drills Liquid 1/4" (6mm) O.D. stainless tube



880-BSH-1000



880-TUB-1009¹ / 880-TUB-1010²
Precision Drills Liquid or Aqua NH₃ 0.40" (10mm) O.D. stainless tube



880-BSH-1000



880-TUB-1011¹ / 880-TUB-1012²
Precision Drills Aqua NH₃ + Phos 1/4" (6mm) O.D. stainless tube



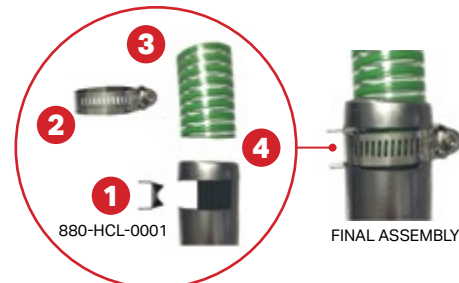
880-BSH-1003

NOTES: All tubes come with bushings pictured.

¹ 880-TUB-1003, 1009 & 1011 are for everything other than C-shank.

² 880-TUB-1004, 1010 & 1012 are for C-shank openers, and are 1" longer.

PROPER INSTALLATION:



PRODUCT	PAGE	PRODUCT	PAGE	PRODUCT	PAGE	PRODUCT	PAGE
010-BTP-0750	111	050-MRA-5131	32, 75, 124	200-PWV-1308	86	333-KNF-1010	26
010-DEG-1000	97	050-MRA-5220	75, 124	200-PWV-1400	86	333-KNF-2000	26
010-DEG-1001ML	97	050-MRA-5222	75, 124	200-PWV-1408	86	333-KNF-2020	26
010-DEG-5626ML	100	050-MRA-5230	75, 124	200-PWV-1608	86	400-DRV-1000	80
010-DEG-6227ML	100	050-MRA-5231	75, 124	200-PWV-1808	86	400-DRV-1010	80
010-HAR-3814ML	99	050-MRF-0020	124	200-QCA-4700	78	400-WDG-0300	114
010-HAR-3817ML	99	050-MRF-0022	124	200-QCA-4710	78	400-WDG-0700	114
010-HAR-3818ML	99	050-MRF-0030	124	200-QCA-5000	78	410-ASY-0823	71
010-HAR-3819ML	99	050-MRF-0031	124	200-QCA-5010	78	410-ASY-7523	71
010-HAR-4309ML	99	050-MRH-5175	124	200-QCA-5020	78	410-KNF-0801	62
010-HAR-4375ML	99	050-MRH-5225	124	200-QCA-5030	78	410-KNF-0825	69
010-HAR-5000ML	99	050-PWV-1000	90	200-REL-1010	80	410-KNF-0826	69
010-HAR-5001ML	99	050-PWV-1200	90	200-SLC-1001	80	410-KNF-0827	69
010-HAR-5008ML	99	050-PWV-1400	90	200-SLC-1010	80	410-KNF-0831	69
010-HAR-5020ML	99	050-PWV-1600	90	200-SLC-1020	80	410-KNF-0835	69
010-HAR-5022ML	99	050-PWV-1608	90	200-SLC-1030	80	410-KNF-7551	70
010-HAR-5024ML	99	050-PWV-1800	90	200-SLC-1035	80	410-KNF-7553	70
010-HAR-5027ML	100	070-RCH-0451	91	200-SLC-1037	80	410-KNF-7540	70
010-HAR-5028ML	100	070-RCH-0451ML	92	200-SLC-1038	80	410-KNF-7560	70
010-HAR-5029ML	100	070-RCH-0452	91	200-SLC-1039	80	410-KNH-7524	70
010-HAR-5625ML	100	070-RCH-0452ML	92	200-SPK-0200	87	410-KNH-7526	70
010-HAR-5627ML	100	070-RSP-0200A	91	200-SPK-0200ML	87, 92	410-PWV-0400	88
010-HAR-5628ML	100	070-RSP-0210A	91	200-SPK-0215	87	410-PWV-0418	89
010-HAR-6230ML	100	070-RSP-0220A	91	200-SPK-0230	87	410-PWV-0418ML	89, 92
010-HAR-6250ML	100	100-DRV-1010	80	200-SPN-0200	63	410-PWV-0518	89
010-PHT-9010	112	100-DRV-1020	80	200-SPN-0208	63	410-PWV-0600	88
010-PHT-9015	112	100-HAM-4000	80	200-SPN-0300	63	410-PWV-0608	88
010-WWS-0662	110	100-WDG-0700	114	200-SPN-0308	63	410-PWV-0800	88
010-WWS-1202	110	200-ASY-0001	115	200-TIP-0511	12	410-PWV-0808	88
010-WWS-1509	110	200-ASY-7523	71	200-TIP-0800	12	410-PWV-1000	88
010-WWS-2506	110	200-BNC-3100	13, 115	200-TIP-0801	12	410-PWV-1008	88
010-WWS-9520	110	200-DRV-1013	80	200-TIP-0802	12	410-PWV-1200	88
015-JDS-2680	97	200-DRV-1030	80	200-TIP-0803	12	410-PWV-1208	88
015-SRC-0001	97	200-GFO-0308	87	200-TIP-0811	12	410-PWV-1400	88
015-SRC-0004	97	200-HOE-1700	60	200-TIP-1011	12	410-PWV-1408	88
030-HLD-2000	91	200-KNF-0810	60	200-TIP-2011	12	410-PWV-1600	88
043-PWV-0800	90	200-KNF-0811	60	200-TIP-3000	13	410-PWV-1608	88
043-PWV-1000	90	200-KNF-0813	60	200-TIP-3001	13	410-PWV-1808	88
043-PWV-1200	90	200-KNF-0863	61	200-TIP-3011	13	410-QCA-5000	79
043-PWV-1400	90	200-KNF-7501	61	200-TIP-4011	13	410-QCA-5010	79
043-PWV-1600	90	200-KNF-7511	61	200-VRT-1040	63	410-QCA-5020	79
043-PWV-1800	90	200-KNF-7521	68	200-WDG-0206	114	410-QCA-5060	79
047-ACC-1001	114	200-KNF-7525	68	200-WDG-0506	114	410-QCA-5080	79
047-ACC-1002	114	200-KNF-7531	68	200-WDG-1000	114	410-SLC-1001	80
047-ASY-1000	20, 123	200-KNH-4000	62	200-WDG-1006	114	410-SLC-1022	80
047-ASY-1005P	20, 123	200-KNH-4010	62	300-ATM-1000	65	410-SLC-1030	80
047-CAP-1001	114	200-KNH-4020	71	300-ATM-1006	65	410-SLC-1050	80
047-KNH-1000	20	200-PWV-0400	86	300-ATM-1010	65	410-SPK-0200	89
047-PWV-0400	90	200-PWV-0405	87	300-ATM-1020	65	410-SPK-0200ML	89, 92
047-PWV-0708	90	200-PWV-0405ML	87, 92	300-ATM-1031	65	410-SPN-0300	63
047-PWV-0900	90	200-PWV-0428	87	300-ATM-1035	65	410-SPN-0308	63
047-PWV-0908	90	200-PWV-0500	86	300-ATM-1036	65	500-200-1000	103
047-PWV-1000	90	200-PWV-0508	86	300-BNC-4414	65, 115	500-200-1005	103
047-PWV-1008	90	200-PWV-0528	87	300-BSH-1200	114	500-200-1010	105
047-PWV-1100	90	200-PWV-0700	86	300-HLD-4700	64	500-200-1015	103
047-PWV-1200	90	200-PWV-0708	86	300-HLD-4710	64	500-200-1020	106
047-PWV-1300	90	200-PWV-0900	86	300-HLD-5000	64	500-200-1025	103
047-PWV-1308	90	200-PWV-0908	86	300-HLD-5010	64	500-200-1030	108
047-VRT-1040	20	200-PWV-0928	87	300-SQR-1500	65	505-200-1000	106
050-KNH-0812	21	200-PWV-1000	86	300-SQR-1505	65	505-200-1005	107
050-KNH-0820	72	200-PWV-1008	86	333-ASY-0711	27	505-200-1010	107
050-PWV-0600	90	200-PWV-1100	86	333-ASY-0712	27	505-200-1015	107
050-PWV-0800	90	200-PWV-1108	86	333-ASY-3011	27	505-200-1020	107
050-MRA-5120	32, 75, 124	200-PWV-1200	86	333-KNF-0511	27	505-200-1025	108
050-MRA-5122	32, 75, 124	200-PWV-1208	86	333-KNF-0512	27	510-200-1000	105
050-MRA-5130	32, 75, 124	200-PWV-1300	86	333-KNF-1000	26	511-200-1000	105

PRODUCT	PAGE	PRODUCT	PAGE	PRODUCT	PAGE	PRODUCT	PAGE
515-200-1000	108	612-ASY-0712L	24, 128	680-ASY-2711LP	30, 47, 129	689-KNF-1000	51
517-200-1005	104	612-ASY-0712LP	24, 128	680-ASY-2712G	30, 47, 129	693-ASY-1000P	45
517-200-1010	104	612-HLD-0711	128	680-ASY-2712GP	30, 47, 129	693-ASY-4020G	49, 127
517-200-1015	107	612-HLD-0712	128	680-ASY-2712L	30, 47, 129	693-HLD-2080	48, 58, 136
517-200-1017	107	612-TIP-0211	16, 126	680-ASY-2712LP	30, 47, 129	693-KNH-1000	45
517-200-1020	104, 107	612-TIP-0212	16, 126	680-HLD-0711L	128	694-ACC-1000	114
517-200-1025	104	612-TIP-0711	16, 128	680-HLD-0711LP	128	694-HLD-5000	35, 56, 134
517-200-1030	105	612-TIP-0712	16, 128	680-HLD-0712L	128	694-KNH-1000	33
521-200-1000	108	614-ACC-1000	114	680-HLD-0712LP	128	702-DEG-0012	111
522-200-1000	106	614-TIP-2711	16, 129	680-HLD-1000	28, 42	810-CPP-0200	93
522-200-1005	106	614-TIP-2712	16, 129	680-HLD-1000P	28, 42	810-CPP-0750	93
522-200-1010	104	620-ACC-0001	135	680-HLD-2711	129	810-SIH-0700	93
522-200-1020	104	620-BNC-3100	134	680-HLD-2712	129	810-SIH-0900	93
522-200-1025	105	620-HLD-5000	25, 56, 134	680-HOS-1000	123	810-SJD-0700	93
522-200-1030	105	620-SSH-1000	56, 134	680-KNF-5000	28	810-SJD-0900	93
522-200-1035	106	620-SSH-4000	56, 134	680-TUB-2701	129	810-SKG-0275	93
522-200-1040	106	620-SSH-6000	56, 134	682-ASY-2063	31, 48, 126	810-SKG-0400	93
599-KNH-7540	21, 72	620-TIP-0510	57, 135	682-ASY-2064	31, 48, 126	815-RIH-0300	94
600-BNC-5000	17, 115	620-TIP-1510	57, 135	683-ASY-1000P	45	815-RIH-0500	94
600-HHA-0750	114	620-TIP-4060	57, 135	683-ASY-2711G	47, 129	815-RIH-0700	94
600-TIP-7500	17	620-TUB-1021	57, 135	683-ASY-2711GP	47, 129	815-RIH-1000	94
600-TIP-7501	17	620-TUB-1070	57, 135	683-ASY-2711L	47, 129	815-RIH-1400	94
600-TIP-7502	17	620-TUB-4000	57, 135	683-ASY-2711LP	47, 129	815-RJD-0300	94
600-TIP-7507	17	620-TUB-4040	57, 135	683-ASY-2712G	47, 129	815-RJD-0500	95
602-ASY-7523	72	650-ACC-1000	40, 114, 130	683-ASY-2712GP	47, 129	815-RJD-0700	95
602-HLD-7500	72	650-ACC-1010	40, 114, 130	683-ASY-2712L	47, 129	815-RJD-1000	95
602-KNH-7520	72	650-ASY-0711	41, 131	683-ASY-2712LP	47, 129	815-RJD-1400	95
602-KNH-7530	73	650-ASY-0711P	41, 131	683-ASY-4020G	49, 127	815-RNW-0010	96
602-KNH-7531	73	650-ASY-0712	41, 131	683-HLD-2711	129	815-RNW-0011	96
602-KNH-7540	73	650-ASY-0712P	41, 131	683-HLD-2712	129	815-RNW-0020	96
602-KNH-7552	73	650-ASY-3011	41, 131	683-KNH-1000	45	815-RSS-0010	96
602-KNH-7554	73	650-ASY-3011P	41, 131	684-ASY-2711G	34, 129	815-RSS-0020	96
602-KNH-7585	74	650-HLD-1000G	40, 130	684-ASY-2711GP	34, 129	815-RSS-0030	96
602-KNH-7586	74	650-HLD-1000GL	40, 130	684-ASY-2711L	34, 129	815-RSS-0040	96
602-KNH-7587	74	650-HLD-1000GN	40, 130	684-ASY-2711LP	34, 129	880-ASY-1010	114, 123, 125
602-KNH-7640	74	650-HLD-1000L	40, 130	684-ASY-2712G	34, 129	880-BAR-3750	114
610-ASY-0711GP	24, 128	650-HLD-1000N	40, 130	684-ASY-2712GP	34, 129	880-BSH-1000	114, 137
610-ASY-0711LP	24, 128	650-HLD-1001	40, 130	684-ASY-2712L	34, 129	880-BSH-1003	59, 114, 137
610-ASY-0712GP	24, 128	670-ASY-7523	50, 76	684-ASY-2712LP	34, 129	880-BSH-1130	114
610-ASY-0712LP	24, 128	670-HLD-1000	50, 76	684-HLD-2711	129	880-BSH-1150	114
610-ASY-2711G	23, 129	670-HLD-1000G	50, 76	684-HLD-2712	129	880-BSH-1170	114
610-ASY-2711L	23, 129	670-HLD-1000GN	50, 76	684-KNH-1010	33	880-BSH-2000	115
610-ASY-2712G	23, 129	670-HLD-1000GL	50, 76	686-ASY-3011	54, 133	880-CPL-1010	115
610-ASY-2712L	23, 129	670-HLD-1000HG	50, 76	686-ASY-3011P	54, 133	880-CPL-2500	115
610-ASY-4020	22, 127	670-HLD-1000L	50, 76	686-HLD-1010GL	53, 133	880-GRD-1000	115
610-ASY-4026	22, 127	670-HLD-1000N	50, 76	686-HLD-1010GN	53, 133	880-GRD-1010	115
610-CAP-1080	136	674-ASY-7523	76	686-HLD-1020G	53, 133	880-HCL-0001	115
610-HLD-0711	128	674-HLD-7520	76	686-HLD-1020L	53, 133	880-HCL-0004	115
610-HLD-0712	128	674-HLD-7530	76	686-HLD-1020N	53, 133	880-ORF-0001	115
610-HLD-2080HD	25, 58, 136	680-ACC-0001	114	686-KNH-1001	54, 133	880-TUB-1003	59, 137
610-HLD-2711	129	680-ACC-0004	114	686-KNH-1001P	54, 133	880-TUB-1004	59, 137
610-HLD-2712	129	680-ACC-1000	114	686-KNH-5010	54	880-TUB-1009	59, 137
610-TIP-0802	13, 58, 137	680-ASY-0211	31, 126	686-KNH-5010P	54	880-TUB-1010	59, 137
610-TIP-3581	15, 58, 137	680-ASY-0212	31, 126	686-KNH-5020G	52	880-TUB-1011	59, 137
610-TIP-4030	14	680-ASY-0711G	29, 46, 128	686-KNH-5020GL	52	880-TUB-1012	59, 137
610-TIP-4035	14, 59, 137	680-ASY-0711GP	29, 46, 128	686-KNH-5020GN	52	880-TUB-2701	129
610-TIP-4041	14, 127	680-ASY-0711L	29, 46, 128	686-KNH-5020L	52	880-TUB-2711	129
610-TIP-4081	15, 59, 137	680-ASY-0711LP	29, 46, 128	686-KNH-5020N	52	880-WDG-0300	114
610-TIP-4082	15, 59, 137	680-ASY-0712G	29, 46, 128	688-HLD-1000	37	880-WDG-0301	114
610-TIP-4085	15, 59	680-ASY-0712GP	29, 46, 128	688-HLD-2000	38	905-NRG-5000	115, 118
610-TIP-6082	15, 59, 137	680-ASY-0712L	29, 46, 128	688-HLD-2080	39, 58, 136	906-NPT-3755	118
612-ASY-0711	24, 128	680-ASY-0712LP	29, 46, 128	688-HLD-5000	38, 56, 134	907-NPF-3755	118
612-ASY-0711P	24, 128	680-ASY-1000	28, 44, 125	689-HLD-1000G	51, 132	926-PRG-1250	115, 118
612-ASY-0711L	24, 128	680-ASY-1000P	28, 44, 125	689-HLD-1000GL	51, 132	944-HRG-2005	118
612-ASY-0711LP	24, 128	680-ASY-2711G	30, 47, 129	689-HLD-1000GN	51, 132	945-HRG-1505	118
612-ASY-0712	24, 128	680-ASY-2711GP	30, 47, 129	689-HLD-1000L	51, 132	946-HRG-3754	115, 118
612-ASY-0712P	24, 128	680-ASY-2711L	30, 47, 129	689-HLD-1000N	51, 132	961-CRG-1005	115, 118

F. P. BOURGALT TILLAGE TOOLS LTD.

Since 1991

PO Box 310
200 – 5th Avenue South
St. Brieux, SK, Canada
S0K 3V0
P 800.878.7714
F 306.275.4720

tillagetools.ca



SCAN TO VIEW OUR
CATALOGUE ONLINE



2023 ©F.P. Bourgault Tillage Tools Ltd. Bourgault Tillage Tools, BTT™, Speed-Loc™, Max Life™, Blue Armour™, the Bourgault Tillage Tools logo, Bourgault Tillage Tools product designations, and all other related marks, images and symbols are the exclusive properties and/or registered trademarks of F.P. Bourgault Tillage Tools Ltd.

Bourgault Tillage Tools has made every attempt to accurately portray our product lineup. However, due to our commitment to continually innovating our technologies to provide our customers with the best possible products, some products may not be manufactured exactly as shown.

Printed in Canada (09/2023)

